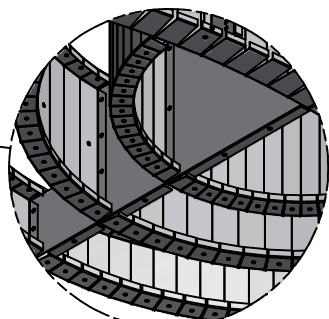
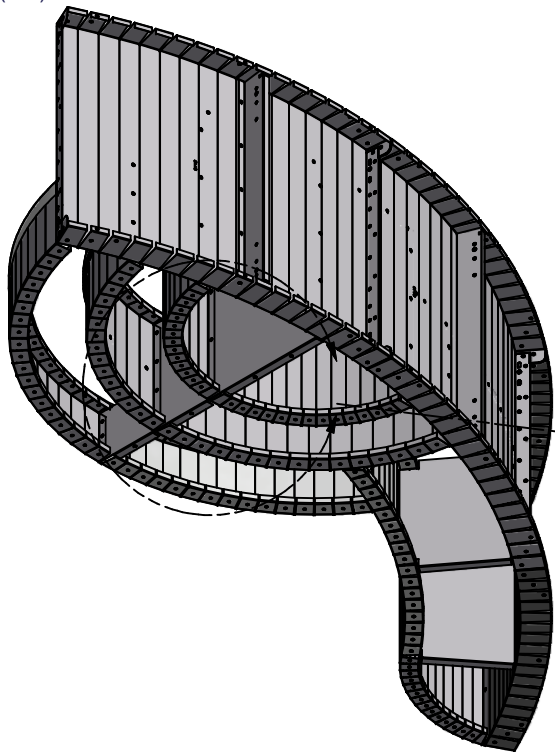
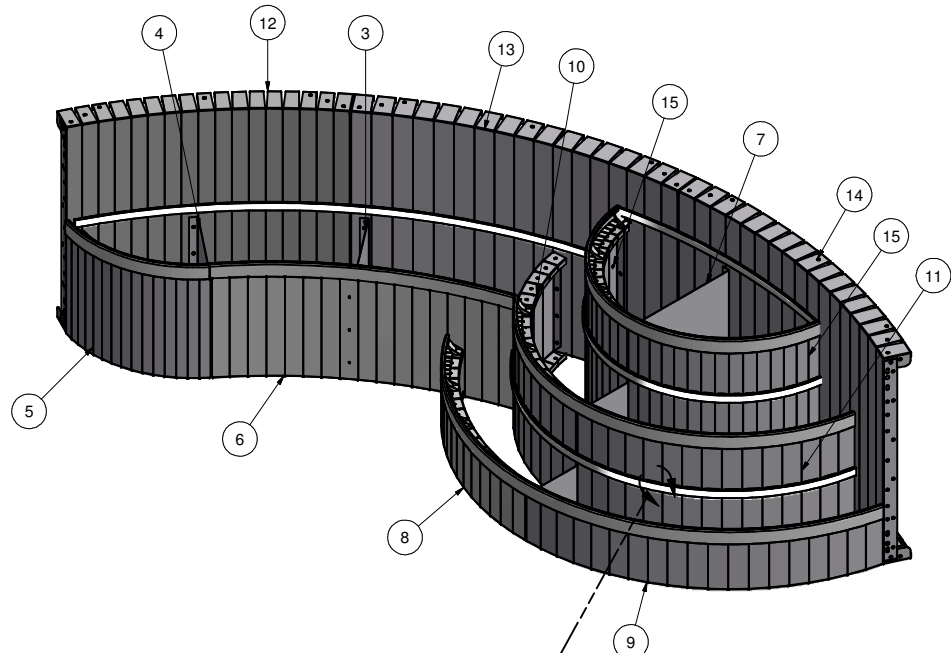


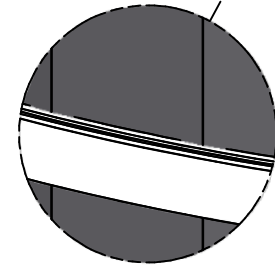
Parts List

ITEM	QTY	PART NUMBER	DESCRIPTION
1	42	COP-KCVRET-W-1	COPING STIFFNER
2	72	COP-TSCREW-1	COPING TEK SCREW EACH
3	1	ESC-1497-BBR	BRENCH BRACE
4	1	ESC-1497-BBRA	BRENCH BRACE
5	1	ESC-1497-BC	REV. RAD, 2'-0" X 29.15" X 21.5" BENCH CORNER RISER
6	1	ESC-1497-BR	RAD, 7'-6" X 52" X 21.5" BENCH RISER
7	1	ESC-1497-BRC	WEDDING CAKE STEP BRACE
8	1	ESC-1497-BRL	REV. RAD, 4'-0" X 46.5" X 11.5" BOTTOM TREAD RISER, LEFT
9	1	ESC-1497-BRR	REV. RAD, 4'-0" X 64.6 X 10.5" BOTTOM TREAD RISER, RIGHT
10	1	ESC-1497-MRL	REV. RAD, 3'-0" X 50.52" X 21.5" MIDDLE TREAD RISER, LEFT
11	1	ESC-1497-MRR	REV. RAD, 3'-0" X 50.52" X 21.5" MIDDLE TREAD RISER, RIGHT
12	1	ESC-1497-RIS	RADIUS 9' X 4' BACK RISER
13	1	ESC-1497-RISL	RADIUS, 9' X6', BACK RISER
14	1	ESC-1497-RISR	RADIUS, 9'-0" X 5 BACK RISER
15	2	ESC-1497-TR	REV. RAD, 2'-0" X 35" X 31.5" TOP TREAD RISER
16	2	M0065	MEGA Z-RIB
17	30	OPC-CONREC-120	PVC CONCRETE RECEPTOR
18	1	SSC-1099-A	25' BEAD RECEIVER REQUIRED

KEEP BEAD RECEIVER ATTACHED TO THE STEP & BENCH TREADS FOR SHIPPING. A TOTAL OF 300" (25') OF BEAD IS RECEIVER REQUIRED.




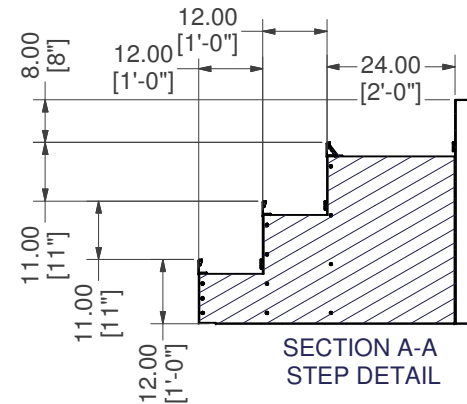
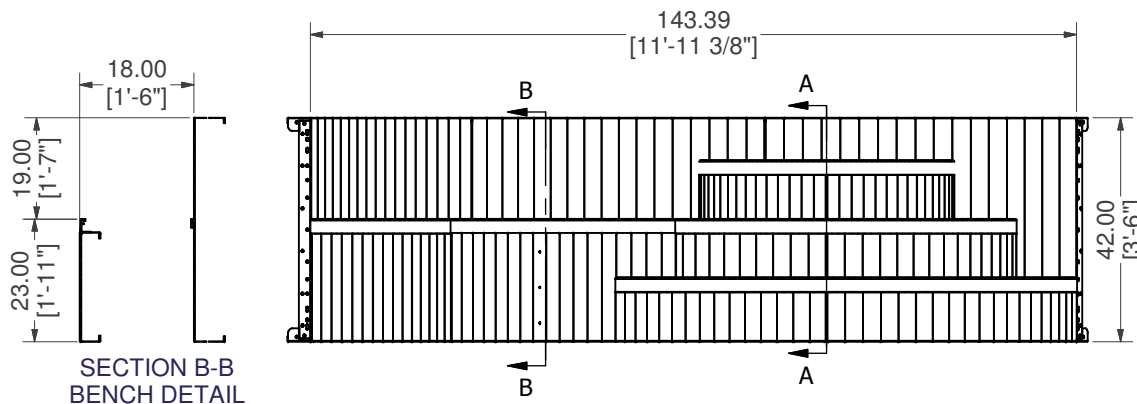
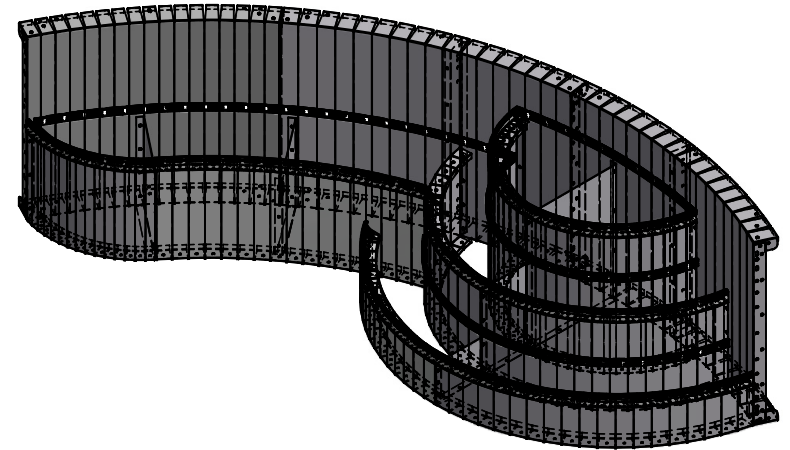
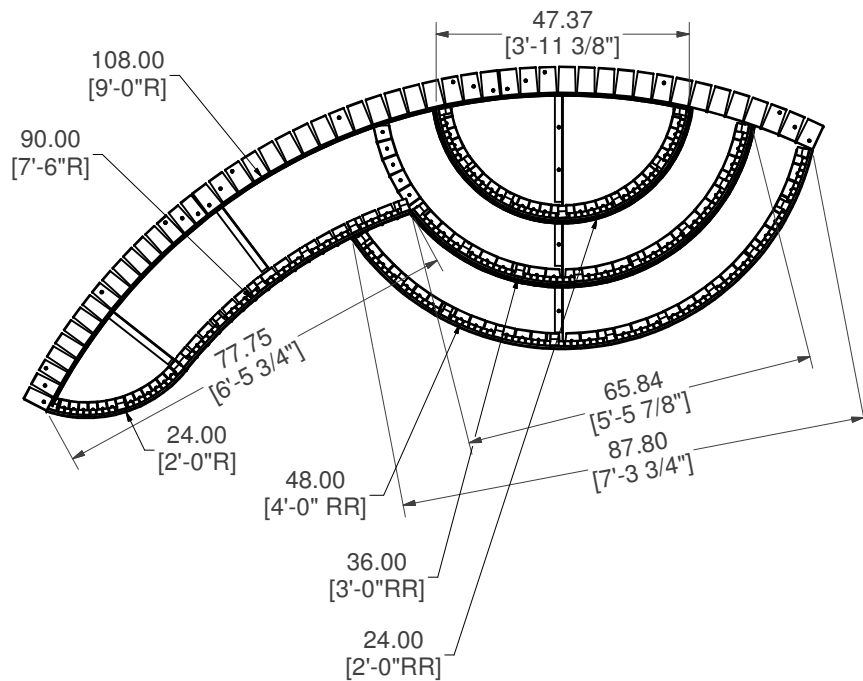
CENTER BRACE
DETAIL




BEAD RECEIVER
DETAIL

9'-0" RADIUS WEDDING CAKE STEP W/BENCH

PART #: ESC-1497 	FINISHED WEIGHT: 438.07 lbmass	MATERIAL:	FILE/DIRECTORY: I:\PRODUCT_CATALOG\2014 SS\ESC-1497.idw
	TOLERANCES EXCEPT AS NOTED 0/0 0.0 0.00 0.000 0' ±1/8 ±0.25 ±0.0625 ±0.03125 ±1/2"	RAW MAT'L WEIGHT:	DATE: 5/5/2014
DRAWN BY: TS	SHEET: 1 OF 11		



9'-0" RADIUS WEDDING CAKE STEP W/BENCH

PART #: ESC-1497 	FINISHED WEIGHT: 438.07 lbmass	MATERIAL:	FILE/DIRECTORY: I:\PRODUCT_CATALOG\2014 SS\ESC-1497.idw
	TOLERANCES EXCEPT AS NOTED 0/0 0.0 0.00 0.000 0' ±1/8 ±0.25 ±0.0625 ±0.03125 ±1/2"	RAW MAT'L WEIGHT:	DATE: 5/5/2014
DRAWN BY: TS	SHEET: 2 OF 11		