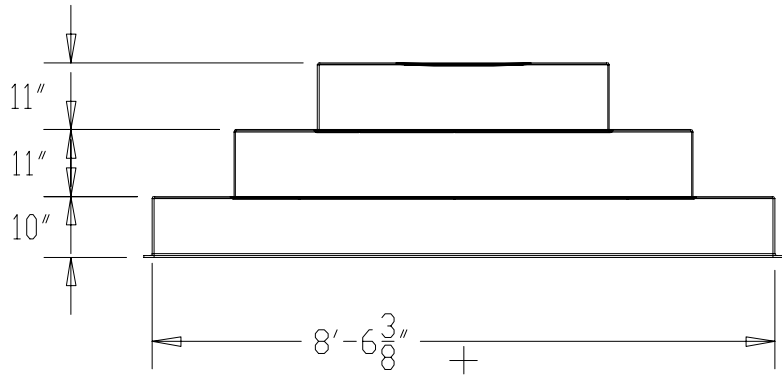
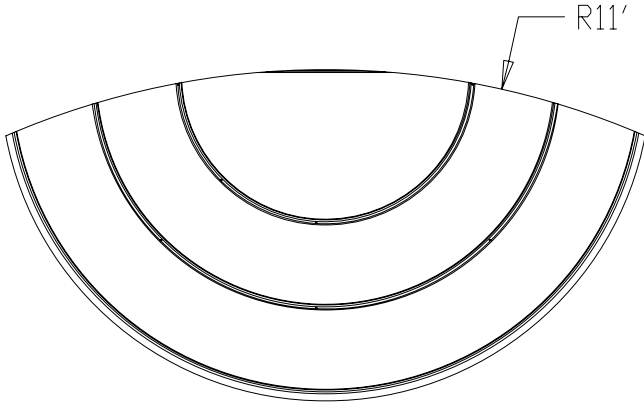

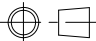


REVISIONS			
REV	DESCRIPTION	BY	DATE
A		CRE	013106



Part # ST9008

 <p>LATHAM PLASTICS</p> <p>787 Watervliet Shaker Road, Latham, NY 12110</p>		<p>This drawing is the property of LATHAM PLASTICS INC. The information is confidential and LATHAM PLASTICS INC. claims PROPRIETARY RIGHTS in the material shown on this drawing. This drawing may not be reproduced for any reason without permission from LATHAM PLASTICS INC.</p>	
<p>PART WEIGHT:</p>		<p>DRAWN BY: CRE</p>	<p>DATE: 013106</p>
<p>PART STD COLOR:</p>		<p>APP BY:</p>	<p>DATE:</p>
<p>PROCESS:</p>		<p>THIRD ANGLE PROJ.</p> 	
<p>PART MATERIAL:</p>		<p>SIZE B</p>	<p>TOLERANCES DIMENSIONS ARE IN INCHES X.X 0.1 X.XX 0.01 X.XXX 0.001 ANGLE 0.5 ±</p> <p>TITLE WedCake Radius 11'</p> <p>PART NUMBER ST9008001</p> <p>A</p> <p>SHT 1 OF 1</p>

PART NUMBER ST9008001