

SAVE THESE INSTRUCTIONS

DEALER/INSTALLER: GIVE TO HOMEOWNER

MODEL #7200

PATENTS PENDING

"ROLL-GUARD" A-FRAME LADDER

**FOR RIGID-FRAMED POOLS ONLY
ASSEMBLY AND INSTALLATION MANUAL**



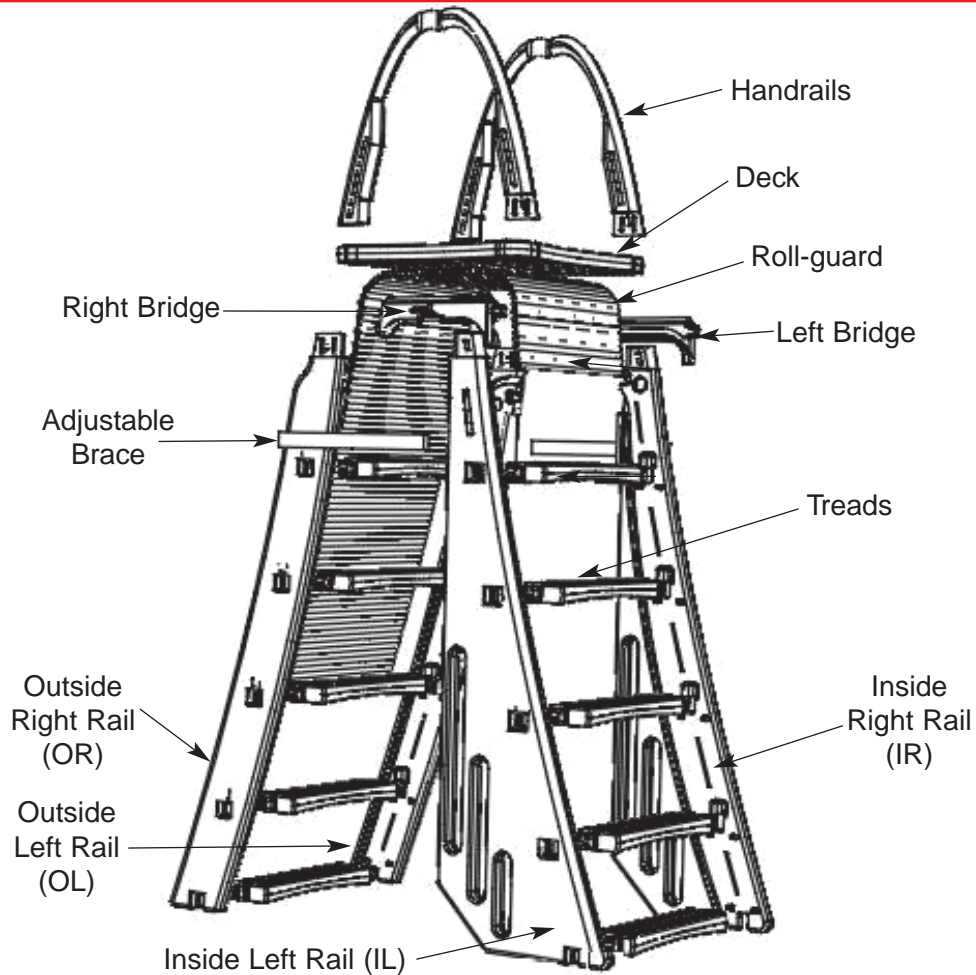
Proudly Made in U.S.A. by

CONFER
plastics inc.

Model #7200 "ROLL-GUARD" A-FRAME LADDER

For Rigid-Framed Above Ground Pools

ASSEMBLY INSTRUCTIONS - PLEASE READ BEFORE ATTEMPTING ASSEMBLY



If missing parts call - Toll free U.S./Canada - 866-396-2968 or www.conferladders.com

Parts List

4 - Handrail	1 - Roll Guard
1 - Deck	1 - Outside Left Rail (OL)
1 - Left Bridge with lock assembly	1 - Outside Right Rail (OR)
1 - Right Bridge	1 - Inside Left Rail (IL)
2 - Adjustable Brace	1 - Inside Right Rail (IR)
10 - Ladder Tread	

Tools Needed for Assembly

1 - Rubber Mallet
1 - Cordless Drill w/Phillips Driver
1 - Garden Hose
1 - 1/4" Drill Bit
1 - Phillips Screwdriver
1 - Pliers

Hardware Bag

4 - Plug	2 - 1/4" Flat Washer
6 - #10 x 1-1/4" Self Tapping Screw	2 - 1/4" Hex Nut
2 - 1/4 - 20 x 3-1/2" Bolt	1 - Padlock
1 - Instruction sheet	

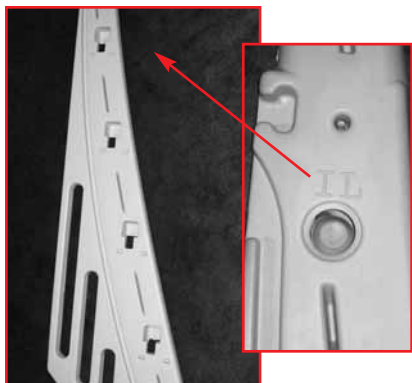
Helpful Hints:

- 1). Assemble the ladder by laying it down on a smooth flat surface.
- 2). All ten treads are the same, but must be installed tab marked minus [-] into tread lock opening marked minus [-] and tab marked plus [+] into tread lock opening marked plus [+] on the rails. TREADS MUST NOT BLOCK THE ROLL-GUARD TRACKS LOCATED ON THE INSIDE AND OUTSIDE RAILS.
- 3). The roll-guard locking assembly is pre-installed on the left bridge.
- 4). Slide the roll-guard into track, grab handle first.

STEP 1: INSIDE LADDER

Tools needed: rubber mallet

Parts needed: 1- Inside left rail (marked "IL" at the top)
1- Inside right rail (marked "IR" at the top)
4- Ladder treads



#1: Lay "IL" rail on flat surface.



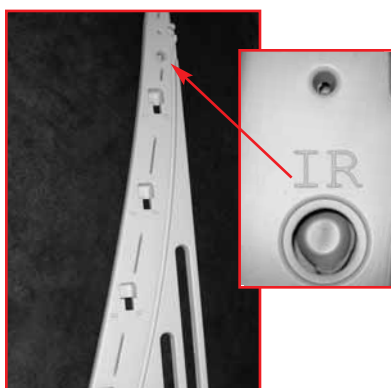
Incorrect, do not block track.



#2: Correct, tap down until seated, note track is not blocked..



#3-5: Install 3 more treads, for a total of 4, see above pictures.



#6: Lay "IR" rail on flat surface.



#7: Lift/rotate and align tread tabs to fit into rail openings..



#8: Tap all 4 treads down until seated..

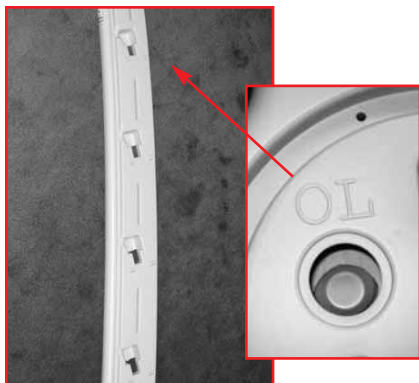


#9: **Do Not** Install bottom tread until Step 4!

STEP 2: OUTSIDE LADDER

Tools needed: rubber mallet

Parts needed: 1- Outside left rail (marked "OL" at the top)
1- Outside right rail (marked "OR" at the top)
5- Ladder treads



#1: Lay "OL" rail on flat surface.



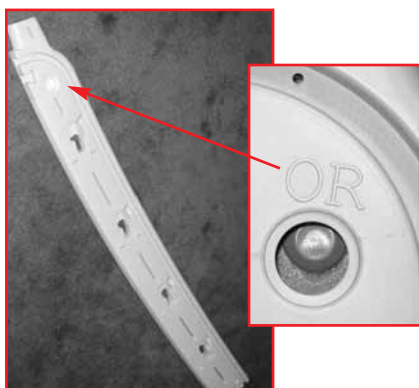
Incorrect, do not block track.



#2: Correct, tap down until seated, note track is not blocked..



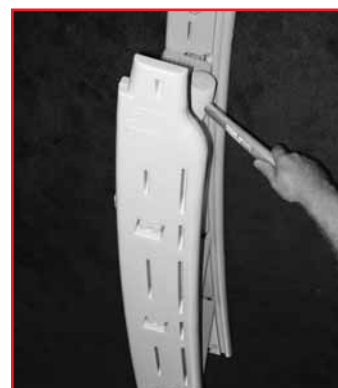
#3-5: Install 3 more treads, for a total of 4, see above pictures.



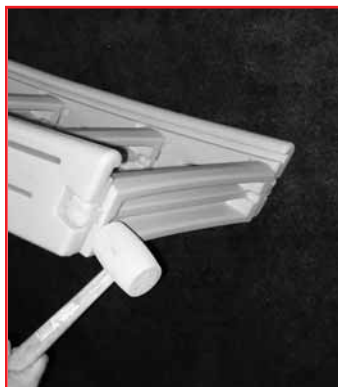
#6: Lay "OR" rail on flat surface.



#7: Lift/rotate and align tread tabs to fit into rail openings..



#8: Tap all 4 treads down until seated..



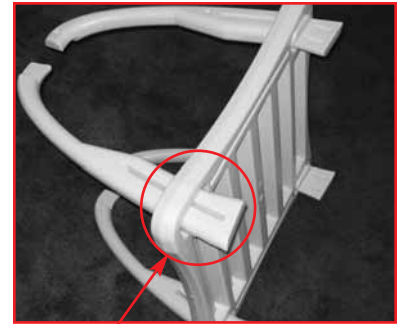
#9: Install bottom tread.



#10: Outside ladder finished!

STEP 3: HANDRAILS/DECK

Tools needed: rubber mallet, cordless drill w/Phillips driver
Parts needed: 1- Deck
4- Handrails
1- Left bridge with lock assembly
1- Right bridge
2- #10 x 1-1/4" self tapping screws



#1-3: Push handrails up through bottom of deck leaving about 3" exposed.



#4: Align the inside/outside rails with deck/handrail.



#5-6: Partially slide deck down locking handrails onto ladder sections.



#7-8: Install right and left ladder bridges.



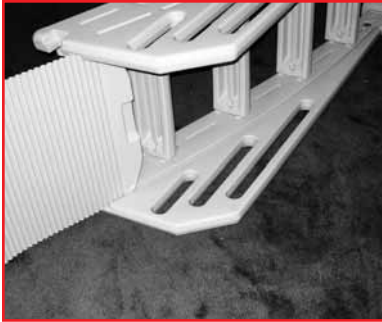
#9: Finish tapping deck all the way down until engaged on to bridge.



#10: Overlap the flat sections at top of the handrails and connect using 1-#10 x 1-1/4" self tapping screw. Repeat for other handrail.

STEP 4: INSTALLING ROLL-GUARD

Tools needed: rubber mallet
Parts needed: 1- Roll-guard
1- Ladder tread



#1: With the ladder laying on it's side, slide the roll-guard into track, grab handle first.



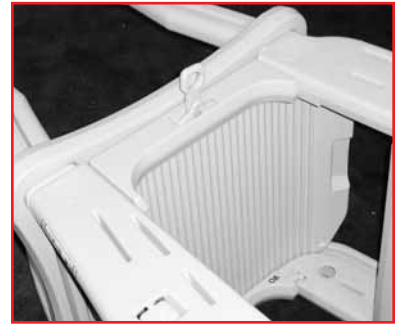
#2-6: Slide roll-guard around to other side of ladder.



#4



#5



#6



#7-8: Install bottom tread. **IMPORTANT:** this bottom tread **MUST** be installed to block the track, roll-guard must not come in contact with pool liner.



#9: Using a sharp knife carefully cut off the plastic tabs.

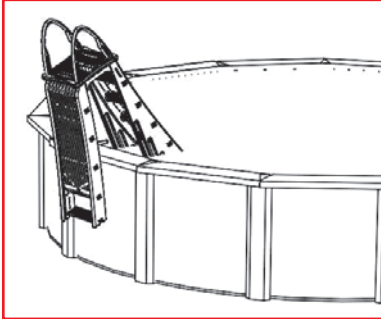


#10: Roll-guard finished!

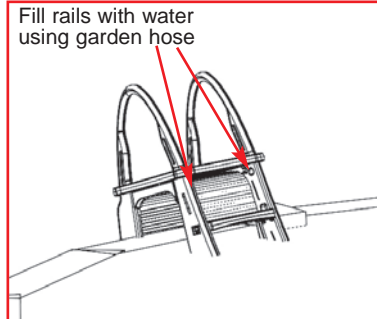
STEP 5: PLACING LADDER IN POOL

- Tools needed:** garden hose, cordless drill w/Phillips driver
1/4" drill bit, Phillips screwdriver, pliers
- Parts needed:** 4- cap plugs
2- adjustable braces
2- 1/4-20 x 3-1/2" bolts, washers and hex nuts
1- Padlock

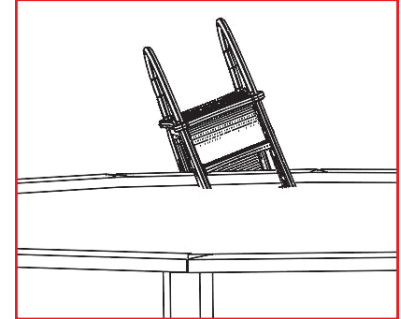
CHOOSE A LOCATION THAT IS LEVEL AND IN FULL VIEW. POOL MUST HAVE COMPETENT ADULT SUPERVISION AT ALL TIMES WHEN IN USE.



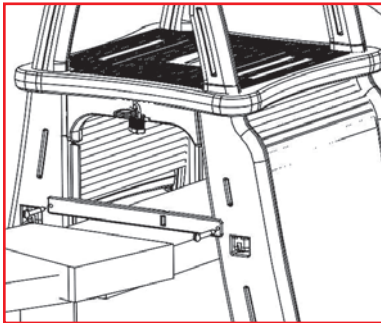
#1: With roll-guard in closed position, carefully lift the **inside** ladder section over the pool wall.



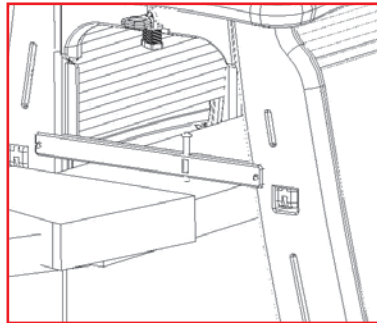
#2: Using garden hose, fill all 4 rails with water through the openings and cap when full. As the rails are being filled, the ladder will start to sink.



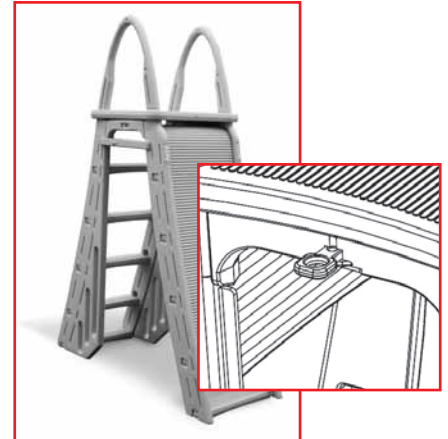
#3: Tilt the ladder from "side to side" to get all the air out of treads. As the treads fill with water, the ladder will continue to sink, this may take several minutes.



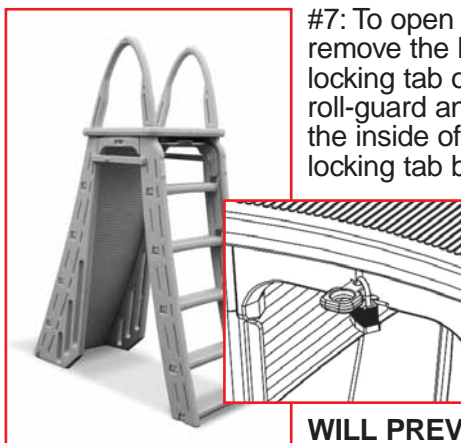
#4: With ladder in place and sitting on pool bottom, place one of the adjustable braces on the side of ladder so it is resting on the pool top seat. Secure the adjustable brace to the ladder rails using 2- #10 x 1-1/4" self tapping screws. Repeat for the second brace.



#5: Using the braces as locators, drill two 1/4" holes through the pool top seat being careful not to damage pool wall or liner. Fasten ladder to the pool using 2-1/4-20 x 3-1/2" screws, washers, and hex nuts.



#6: The ladder is in the closed position when the roll-guard is pulled down covering the outside ladder treads. To lock, push in the roll guard locking tab located on the left bridge. When properly locked, the roll-guard will not lift up. Install the padlock through the locking tab hole.
WHEN POOL IS NOT IN USE THE ROLL-GUARD MUST BE IN CLOSED POSITION AND LOCKED.



#7: To open pool ladder, remove the lock and pull locking tab out. Lift up on the roll-guard and slide around to the inside of pool ladder, push locking tab back in and lock.

WHEN POOL IS IN USE, THE ROLL-GUARD MUST REMAIN ON INSIDE OF POOL AND LOCKED. THE ROLL GUARD WILL PREVENT SWIMMING THROUGH INSIDE LADDER TREADS.



Optional lock location (if needed).

SAFETY RULES

- * Locate ladder on a solid base.
- * One person on the ladder at a time.
- * Ladder **MUST** be installed per manufacturer's instructions.
- * **DANGER:** No Jumping or Diving from ladder.
- * Face ladder when entering and leaving pool.
- * To prevent entrapment or drowning — **DO NOT** swim through, behind or around ladder.
- * Ladder to be used as a swimming pool ladder only.
- * Weight limit - **300 lbs maximum**
- * **Warning:** Exceeding the maximum weight restriction may cause the ladder to fail.
- * When ladder is not in use pull down roll guard to cover outside ladder treads and lock using padlock.
- * Consult your local Building Department before installation of your pool and equipment.
- * **DANGER:** Use a cordless drill for assembly and installation. NEVER use an electric drill in or around the pool.

IMPORTANT FOR YOUR SAFETY

- * Check the contents of the carton with the Parts list for this ladder.
- * If any parts are missing call Toll Free U.S./Canada - 866-396-2968 or visit our web site at: www.conferladders.com
- * **DO NOT** attempt to assemble or install the ladder if there are **ANY** shortages of parts or hardware.
- * For proper assembly and installation follow all instructions in the sequence shown.
- * Before using the product, after assembly and installation, go over the instructions and procedures again to make sure nothing has been overlooked.
- * Be sure and safe. The manufacturer **IS NOT** responsible for improper assembly, installation and use.

MAINTENANCE: Your new pool ladder was designed to be virtually maintenance free. Just hose off once a week with clean water. Check the padlock for proper operation and lubricate if necessary.

WINTERIZING: Unfasten the ladder from pool top seat and remove from the water. Remove the plugs and lay ladder on its side to drain. It will take several minutes for the water to drain out of the ladder rails and treads. A small amount of water left in ladder will not cause any damage. Replace the plugs so they won't get lost.

CONFER PLASTICS, INC. LIMITED, PRO-RATED WARRANTY

Confer Plastics, Inc. warrants their swimming pool ladders to be free from defects in workmanship for one year from date of purchase. After the first year the cost to replace a part is as follows:

MODEL #7200

2nd Year - 20%
3rd Year - 40%
4th Year - 60%
5th Year - 80%

Plus shipping/handling

} of current parts
list price

DO NOT RETURN DEFECTIVE PART TO DEALER

The defective part should be returned, postpaid, to:
Confer Plastics, Inc.
97 Witmer Road
North Tonawanda, N.Y. 14120-2421

Enclose proof-of-purchase (receipts, etc.) showing date purchased, your name, address, and daytime phone number. You will be notified of cost to replace part.

This warranty gives you specific legal rights, and you may also have other rights which may vary from state to state.

PROUDLY MADE IN THE U.S.A. by:



CONFER
plastics inc.

Printed in U.S.A.

97 Witmer Road
North Tonawanda, New York 14120-2421
Toll Free U.S./CANADA 866-396-2968
716-283-1826/ FAX 716-283-3249
www.conferladders.com

CP-7200 Rev 03/09