

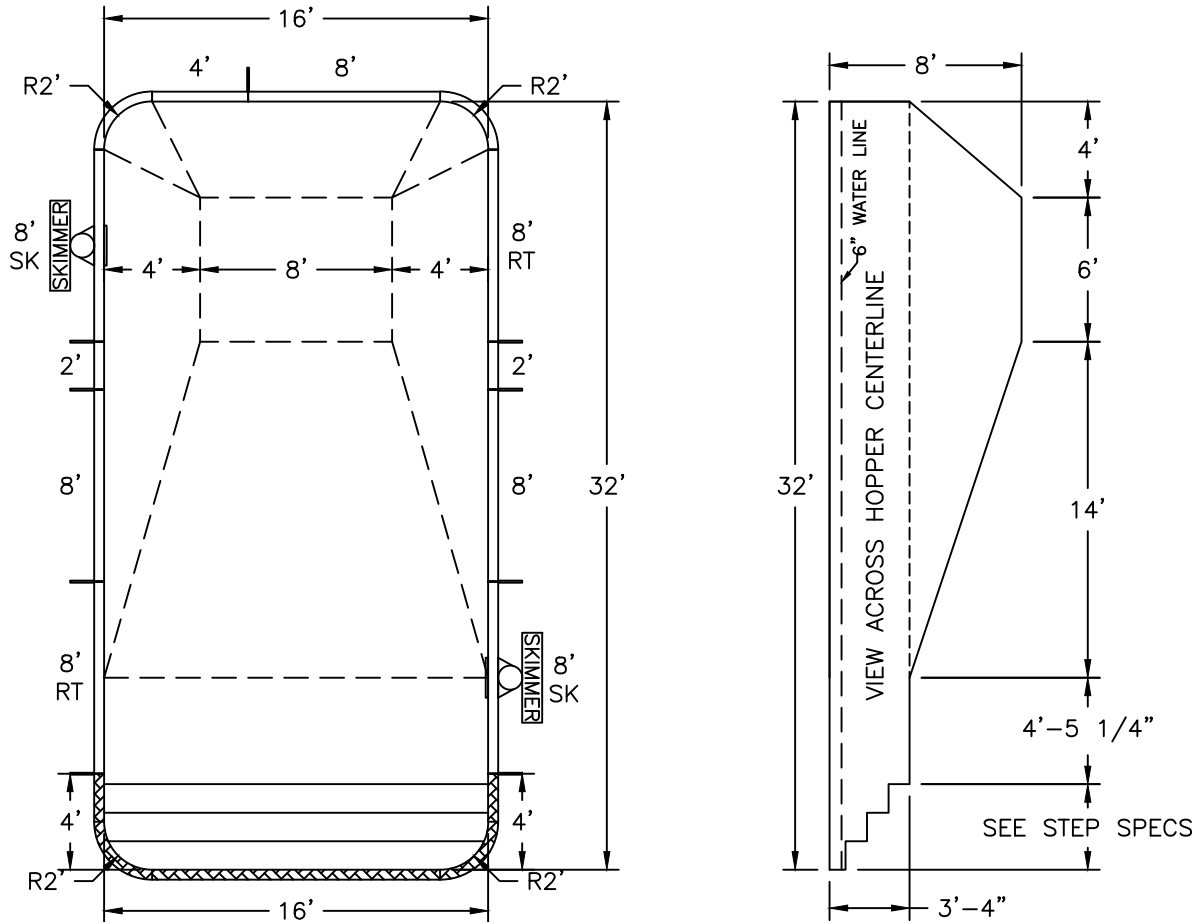


ROYAL
SWIMMING POOLS

Pool Size: 16' X 32'
Pool Shape: RECTANGLE
Pool Number: 1632RECT2R-8D
Pool Codes: ----

6426 Summer Gale Dr. Memphis, TN 38134 | 866-532-8194 | fax: 888-977-2846 | Support@RoyalSwimmingPools.com

FINISHED POOL DIMENSIONS (WITH 2" POOL BASE) SHOWN.
SEE MANUAL FOR EXCAVATION INSTRUCTIONS.



16' X 42" X 2R FULL
WIDTH STEEL STEP
CFWMOD-1642-2R

Date: 02/21/2022

Perimeter: 92'-6 3/4"

Drawn By: MH

Area: 508.6 SQ. FT.

Scale: 1/8" = 1'-0"

Notes: Royal Swimming Pools

Signature:

DRAWING APPROVAL IS FINAL: NO FURTHER CHANGES MAY BE MADE TO YOUR DRAWING.

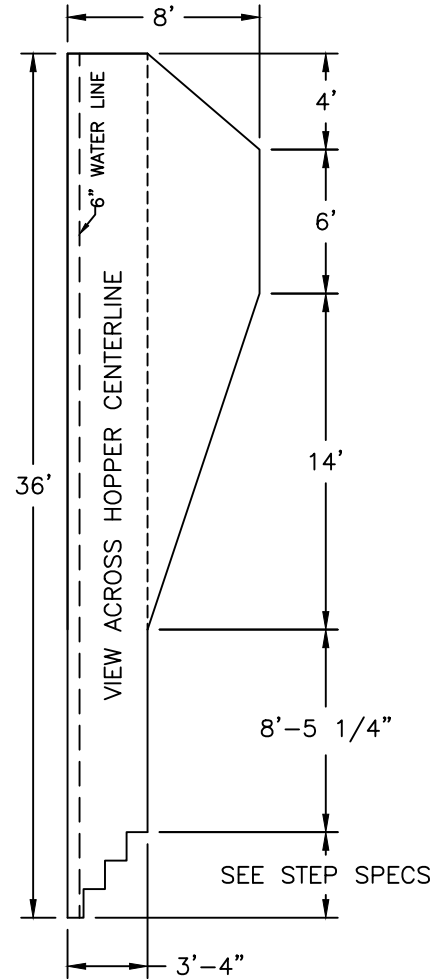
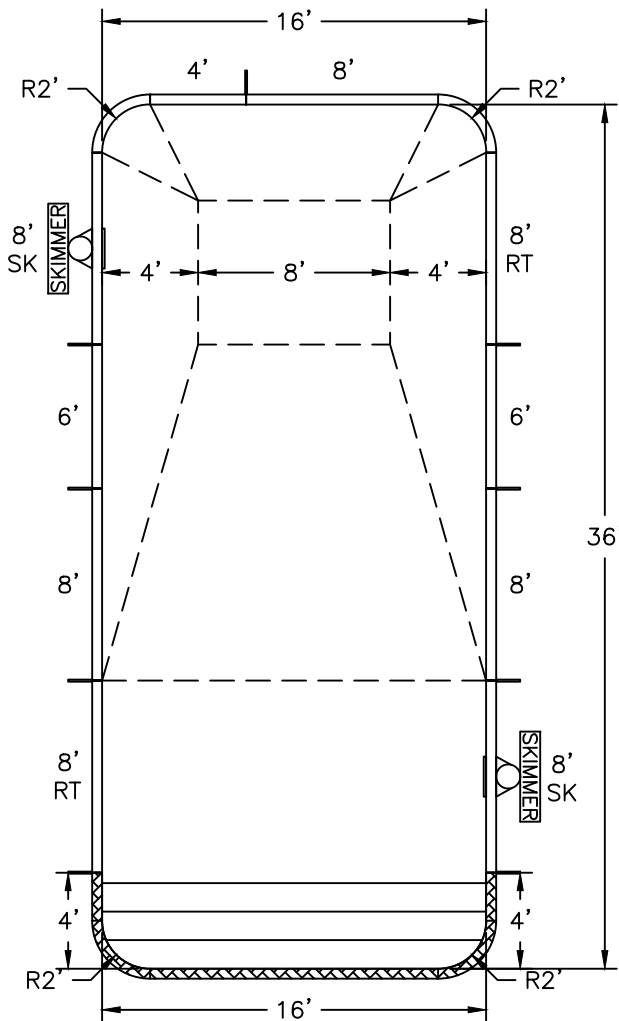


ROYAL
SWIMMING POOLS

Pool Size: 16' X 36'
Pool Shape: RECTANGLE
Pool Number: 1636RECT2R-8D
Pool Codes: ----

6426 Summer Gale Dr. Memphis, TN 38134 | 866-532-8194 | fax: 888-977-2846 | Support@RoyalSwimmingPools.com

FINISHED POOL DIMENSIONS (WITH 2" POOL BASE) SHOWN.
SEE MANUAL FOR EXCAVATION INSTRUCTIONS.



16' X 42" X 2R FULL
WIDTH STEEL STEP
CFWMOD-1642-2R

Date: 02/21/2022

Perimeter: 100'-6 3/4"

Drawn By: MH

Area: 572.6 SQ. FT.

Scale: 1/8" = 1'-0"

Notes: Royal Swimming Pools

Signature:

DRAWING APPROVAL IS FINAL: NO FURTHER CHANGES MAY BE MADE TO YOUR DRAWING.

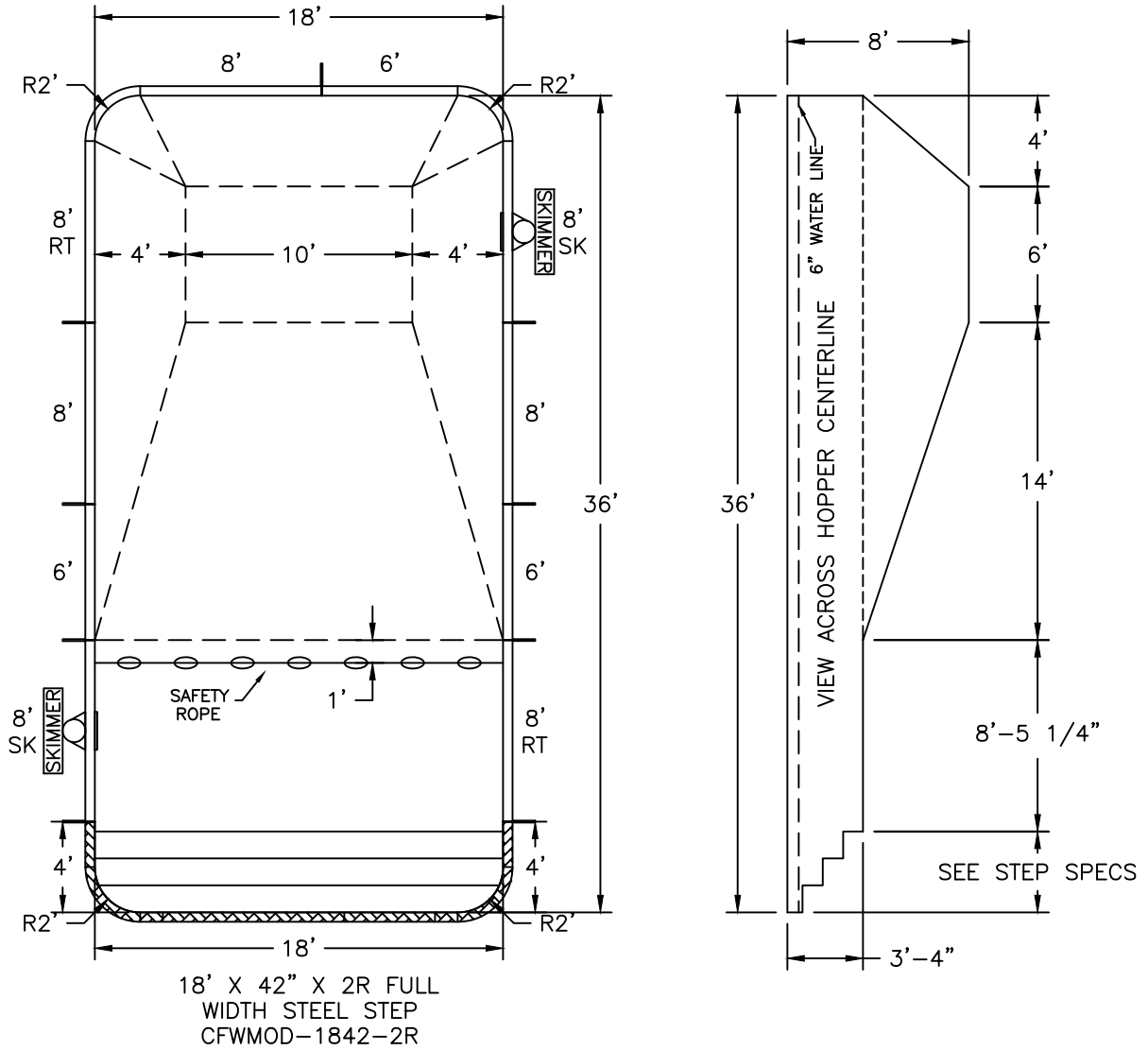


ROYAL
SWIMMING POOLS

Pool Size: 18' X 36'
Pool Shape: RECTANGLE
Pool Number: 1836RECT2R-8D
Pool Codes: ----

6426 Summer Gale Dr. Memphis, TN 38134 | 866-532-8194 | fax: 888-977-2846 | Support@RoyalSwimmingPools.com

FINISHED POOL DIMENSIONS (WITH 2" POOL BASE) SHOWN.
 SEE MANUAL FOR EXCAVATION INSTRUCTIONS.



Date: 02/21/2022

Perimeter: 104'-6 3/4"

Drawn By: MH

Area: 644.6 SQ. FT.

Scale: 1/8" = 1'-0"

Notes: Royal Swimming Pools

Signature:

DRAWING APPROVAL IS FINAL: NO FURTHER CHANGES MAY BE MADE TO YOUR DRAWING.

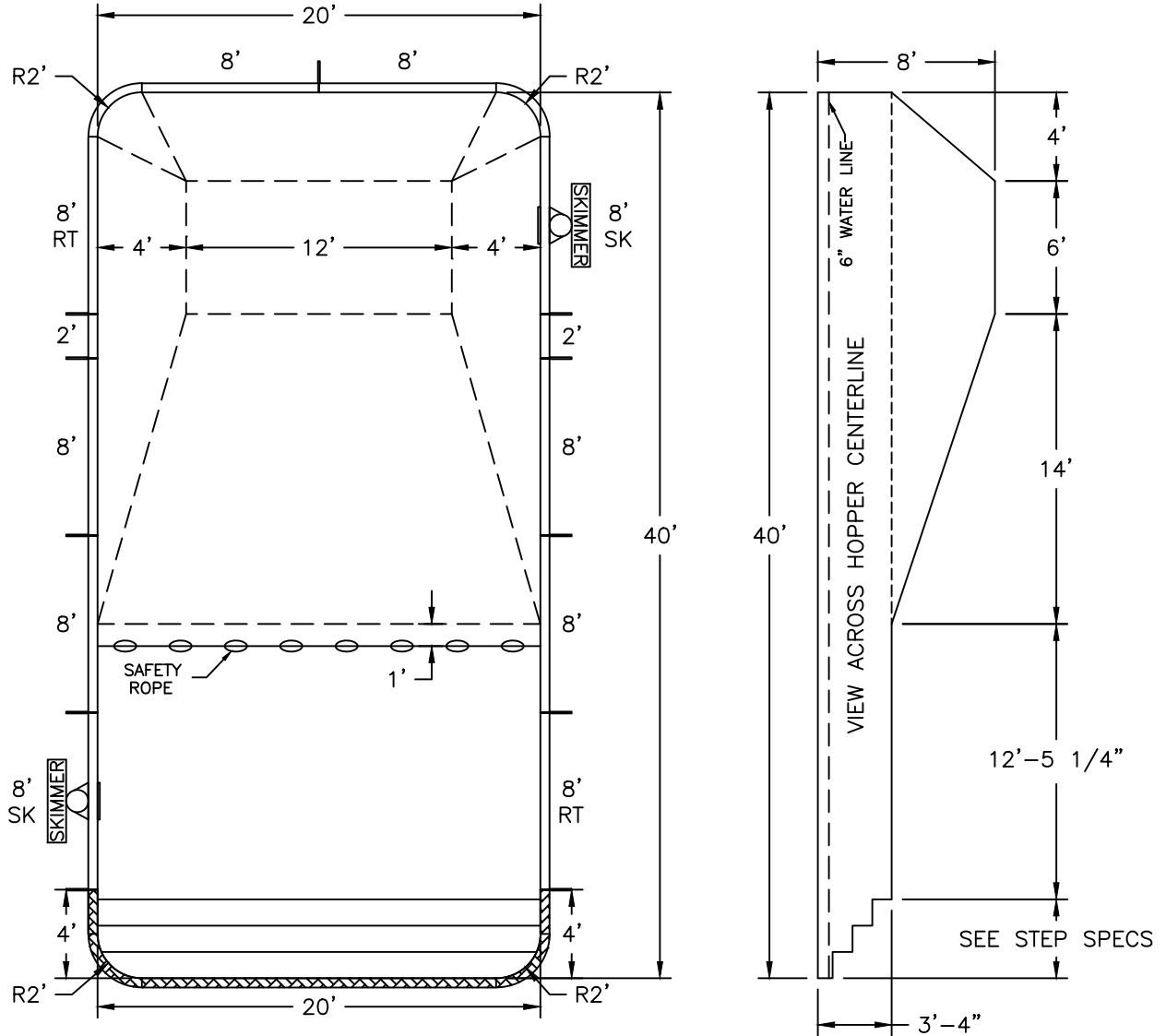


ROYAL
SWIMMING POOLS

Pool Size: 20' X 40'
Pool Shape: RECTANGLE
Pool Number: 2040RECT2R-8D
Pool Codes: ----

6426 Summer Gale Dr. Memphis, TN 38134 | 866-532-8194 | fax: 888-977-2846 | Support@RoyalSwimmingPools.com

FINISHED POOL DIMENSIONS (WITH 2" POOL BASE) SHOWN.
SEE MANUAL FOR EXCAVATION INSTRUCTIONS.



20' X 2R X 42" FULL
WIDTH STEEL STEP
CFWMOD-2042-2R

Date: 02/21/2022

Perimeter: 116'-6 3/4"

Drawn By: MH

Area: 796.6 SQ. FT.

Scale: 1/8" = 1'-0"

Notes: Royal Swimming Pools

Signature:

DRAWING APPROVAL IS FINAL: NO FURTHER CHANGES MAY BE MADE TO YOUR DRAWING.