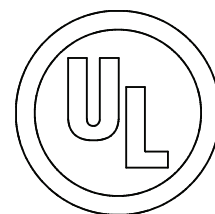




# UL Specifications Bronze Perma-Socket Bonding Lug



## Bronze Perma-Socket Bonding Lug Meets UL Specifications

Perma-Cast certifies that all Bronze Sockets meet UL Specifications for grounding and Bonding Equipment UL 467 and UL 486A (Wire Connectors and Soldering lugs for Use with Copper Conductors).

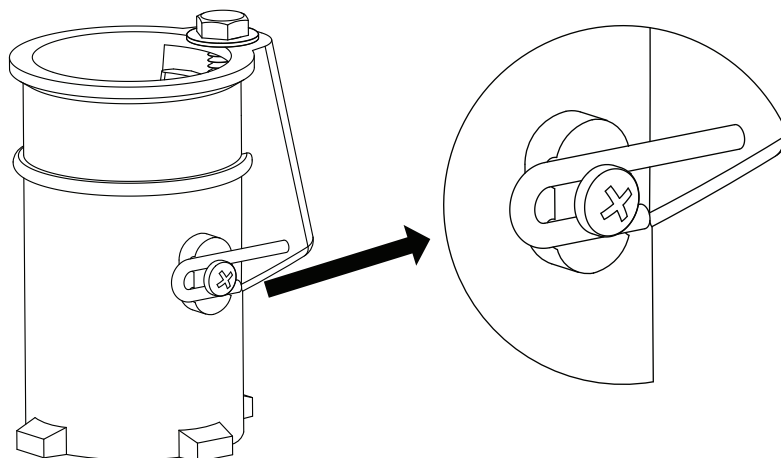
Lab Test were conducted by Underwriters Laboratories, Santa Clara, California. The test program included test for secureness, pull out, and Bonding Milli-Volt Drop

### Test Results

**Secureness Test:** As specifies in UL 486B, Sec. 11. **Test results:**No Conductors seperated from the terminals. All samples passed.

**Pullout Test:** As specified in UL 486A, Section 13. **Test results:** No Conductors seperated from the terminals. All samples passed.

**Milli-Volt Drop Test:** As Specified in UL 676 Section 34. **Test results:** maximum allowable resistance, 0.1Ohm. Test range .0003 Ohms to .0013 Ohms. All samples Passed.



Perma-Cast Co. Pueblo, CO  
www.permacastonline.com  
Call 800-748-2770