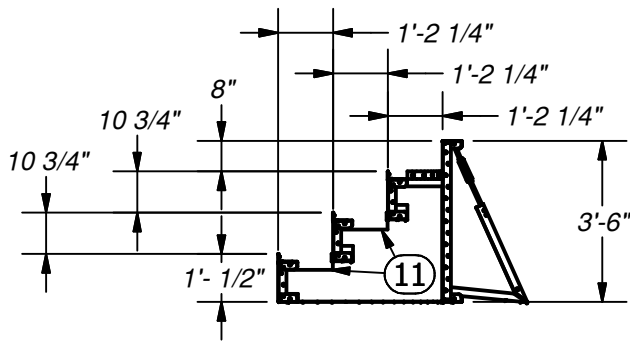
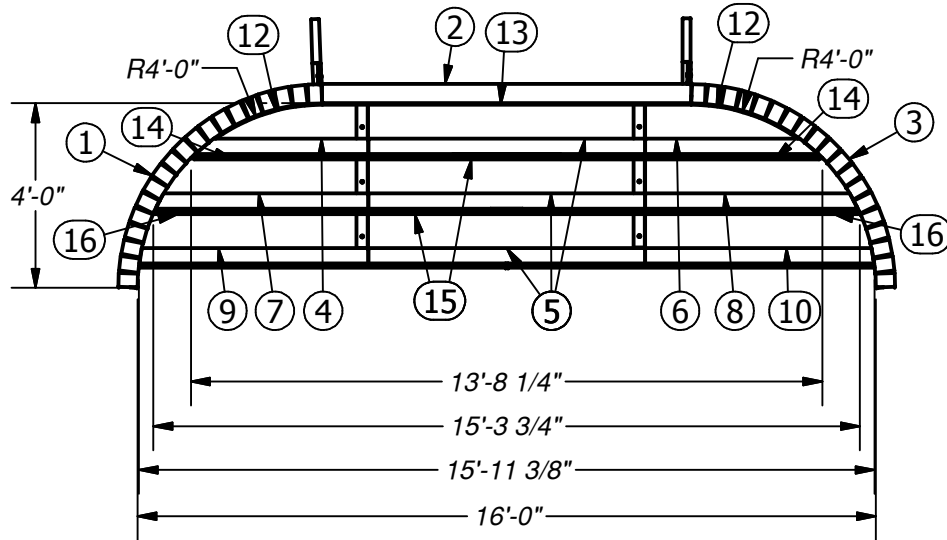




Name: 16'-0" POURED STEP W/ LINER TRACK & SCREED EDGE - 4' RAD. - NEW STYLE

Number: S1600SP34240RX1Z

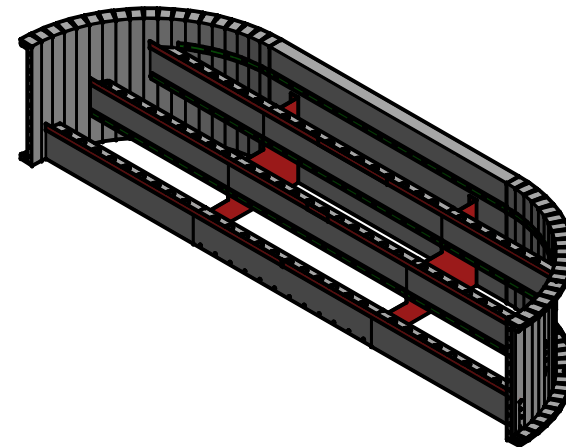
250 Route 61 South, Schuylkill Haven, PA 17972 • 570-385-4733 • fax: 570-385-1318 • CustomerService@CardinalSystemsinc.com



SIDEVIEW

NOTE:
USE REBAR HOLE LOCATIONS
TO PIN WALL AND STEP DECK
SUPPORTS IN PLACE. THEN
POUR 4"-6" OF CONCRETE
AROUND THESE AREAS AND
UNDER THE ASSEMBLY FOR
REINFORCEMENT

PARTS LIST			
ITEM	PART NUMBER	QTY	DESCRIPTION
1	SP2232	1	6'-3 3/8" X 4'-0" RADIUS STEP PANEL
2	SP0027	1	8'-0" STEP PANEL W/ 2Z
3	SP2233	1	6'-3 3/8" X 4'-0" RADIUS STEP PANEL
4	PT5303	1	3'-10 1/8" POURED TREAD
5	PT3930	3	6'-0" POURED TREAD
6	PT5304	1	3'-10 1/8" POURED TREAD
7	PT5305	1	4'-7 7/8" POURED TREAD
8	PT5306	1	4'-7 7/8" POURED TREAD
9	PT5307	1	4'-11 3/4" POURED TREAD
10	PT5308	1	4'-11 3/4" POURED TREAD
11	TS0337	2	3'-6 3/4" TREAD SUPPORT (3 TREAD NEW STYLE)
12	LT0824	2	2'-6" x 4'-0" RADIUS LINER TRACK
13	LT0024	1	8'-0" LINER TRACK
14	LT0326	2	3'-9" LINER TRACK
15	LT0021	2	6'-0" LINER TRACK
16	LT0883	2	4'-7 1/2" LINER TRACK
	CS600OPT	2	A-FRAME ASSEMBLY
	CS608DH	2	18" DRIVE STAKE
	BP106ST	1	LARGE STEP BOLT PACK
	BP000TS	1	BOX OF TEK SCREWS
	SP0745-6N-3	3	BOX OF 3 - 6'-0" NOTCHED SCREED EDGE



Drawn By: Patrick

Date: 1/3/2018

Scale: 1:50

Notes:

This information is the confidential property of Cardinal Systems, Inc. Disclosure or duplication without proper written approval is strictly prohibited. Acceptance and use of this drawing constitutes knowledge and acceptance by the user of the terms and conditions set forth in the notice and warning which accompanied this drawing is incorporated herein and made part hereof and is found on Cardinal Systems, Inc's website at www.CardinalSystemsInc.com



CardinalSystemsInc.com