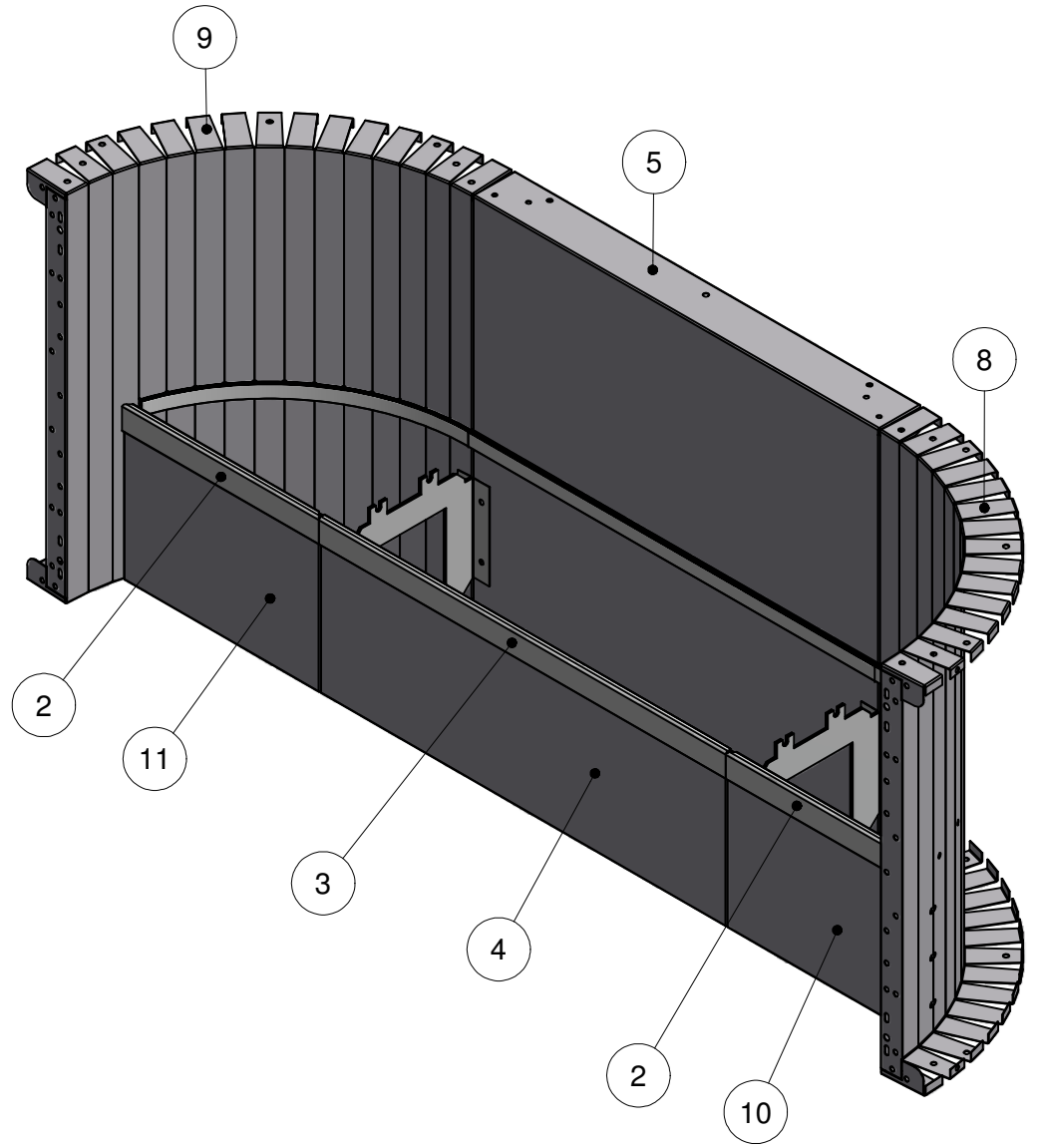
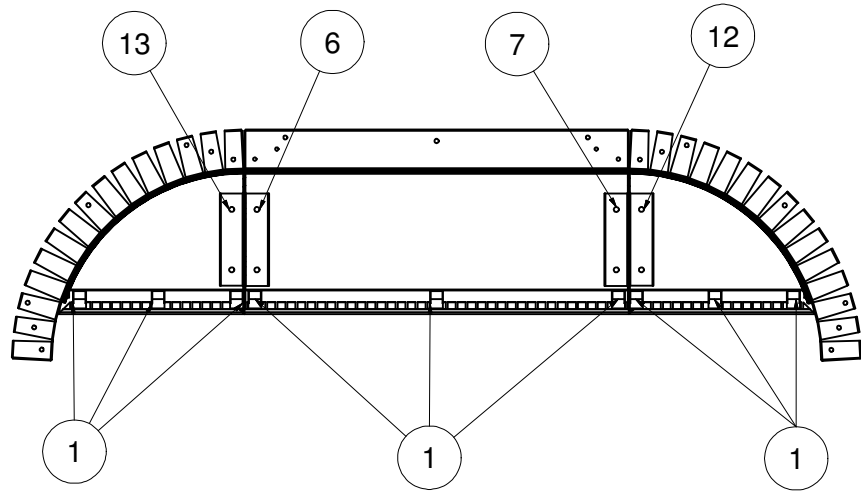


Parts List		
ITEM	QTY	PART NUMBER
1	9	COP-KCVRET-W-1
2	8'	OPC-CONREC-120
3	9'	SSC-1099
4	1	SSC-2464
5	1	SSC-2465
6	1	SSC-2468
7	1	SSC-2469
8	1	SSC-2523
9	1	SSC-2524
10	1	SSC-2525
11	1	SSC-2526
12	1	SSC-2527
13	1	SSC-2528



## OT BENCH STR-2'RAD CN 8'



TOLERANCES EXCEPT AS NOTED:

0/0 0.0 0.00 0.000 0°  
±1/8 ±0.25 ±0.0625 ±0.03125 ±1/2°

**DATE :** 1/12/2017

**PART #:** SOK-BN096STR2

**SHEET :** 2 OF 2

**SECTION:** 7 - 10