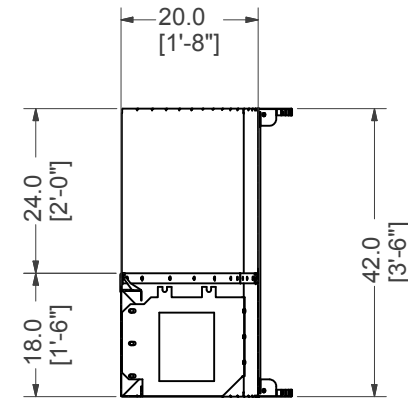
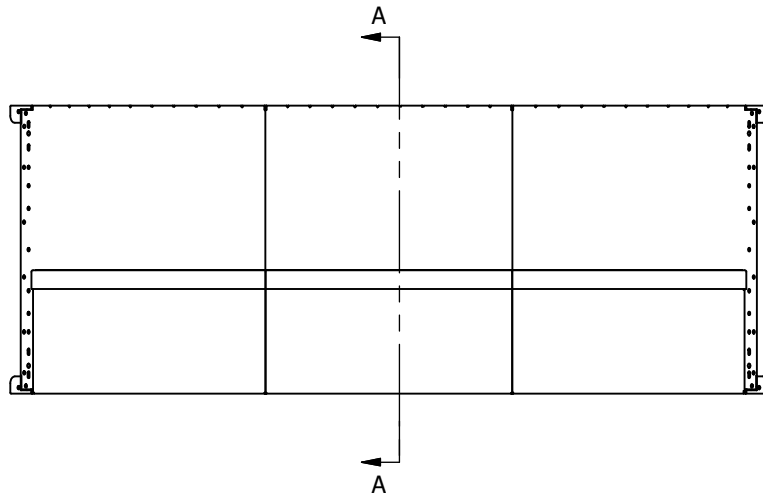
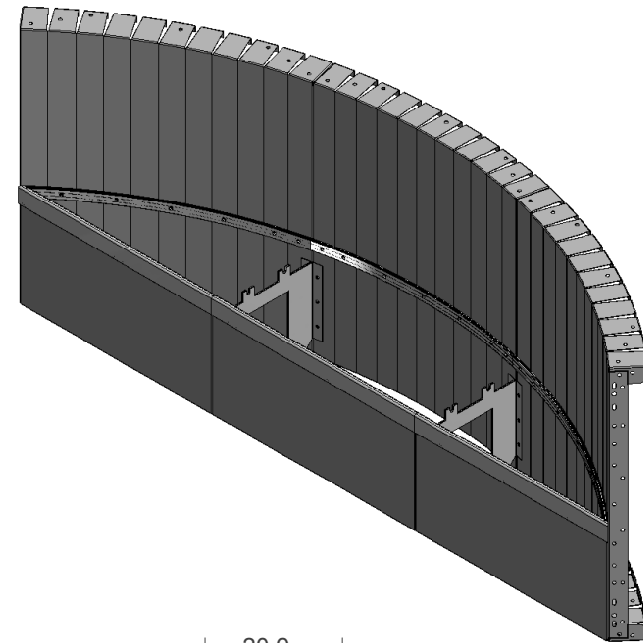


REPLACES 9'-6" OF STEEL



SECTION A-A
SCALE 1/14

PART #: **SOK-BN104R078**

OT Bench Radius 8'-8" X 6'6"RA



TOLERANCES EXCEPT AS NOTED

0/0 0.0 0.00 0.000 0°
±1/8 ±0.25 ±0.0625 ±0.03125 ±1/2°

DRAWN BY: **GBAIRD**

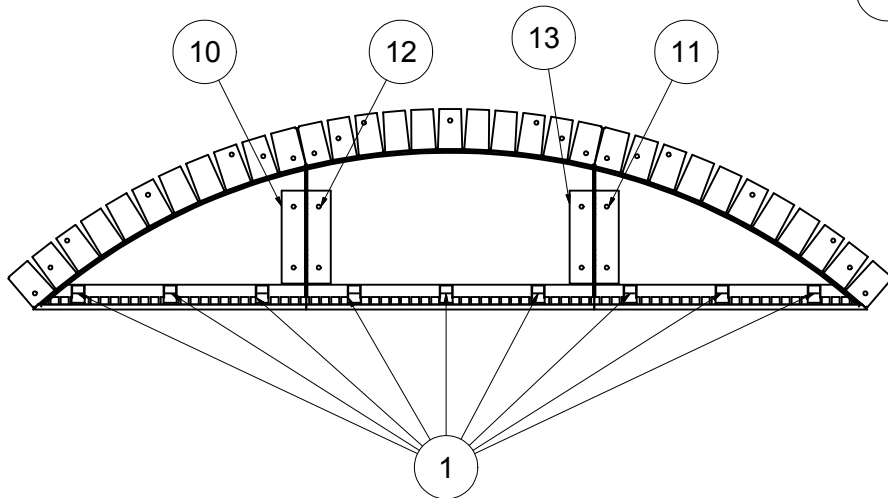
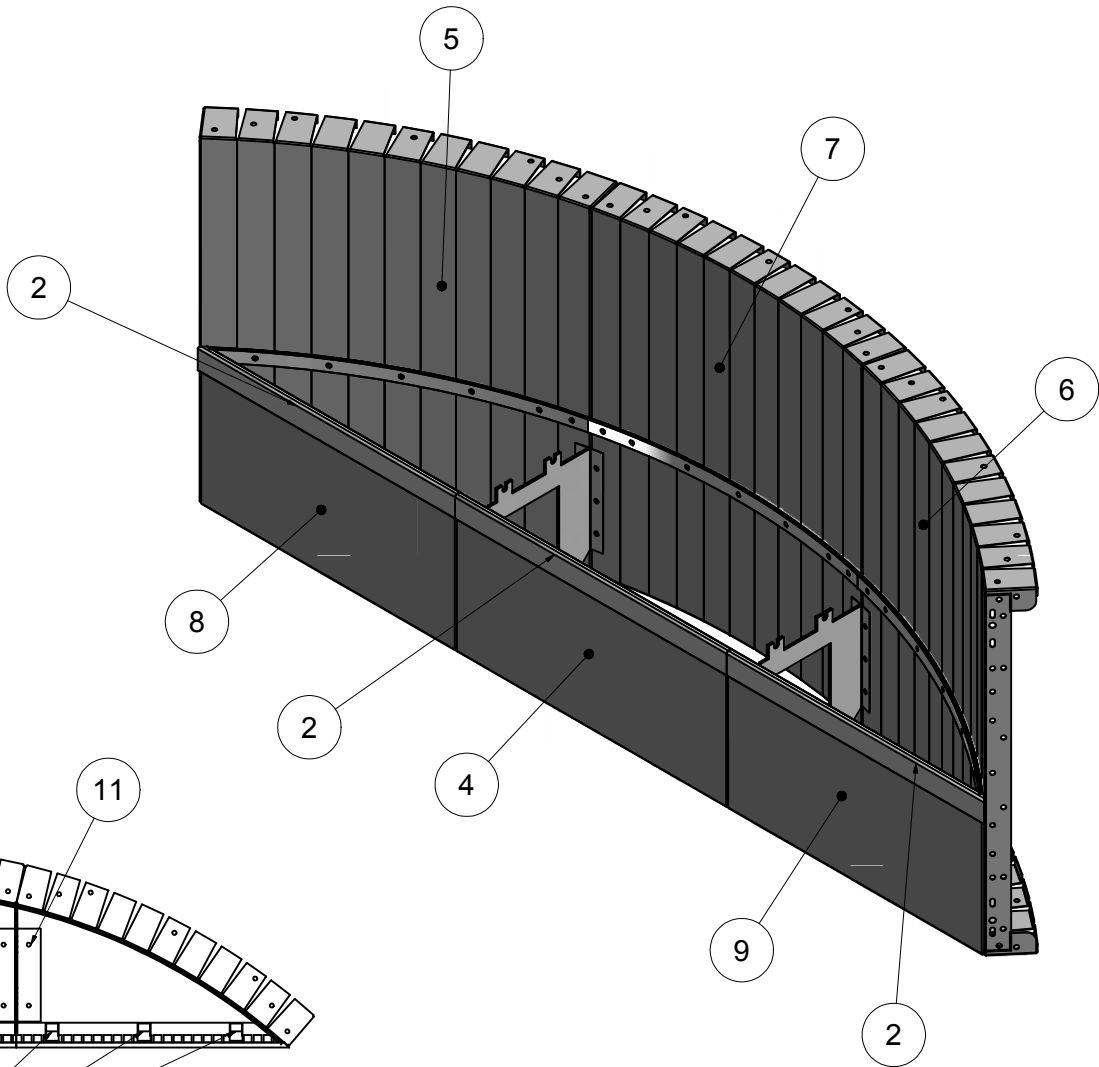
DATE: **2/1/2015**


SHEET: **1 OF 2**

SECT.: **36 - 4**

Parts List

ITEM	QTY	PART NUMBER
1	9	COP-KCVRET-W-1
2	8.8'	OPC-CONREC-PFT
3	9.5'	SSC-1099
4	1	SSC-2127
5	1	SSC-2142
6	1	SSC-2143
7	1	SSC-2145
8	1	SSC-2146
9	1	SSC-2147
10	1	SSC-2148
11	1	SSC-2149
12	1	SSC-2159
13	1	SSC-2160



PART #: SOK-BN104R078		OT Bench Radius 8'-8" X 6'6"RA	
	TOLERANCES EXCEPT AS NOTED		DRAWN BY: GBAIRD
	0/0 0.0 0.00 0.000 0°	±1/8 ±0.25 ±0.0625 ±0.03125 ±1/2°	DATE: 2/1/2015
SHEET : 2 OF 2			SECT.: 36 - 4