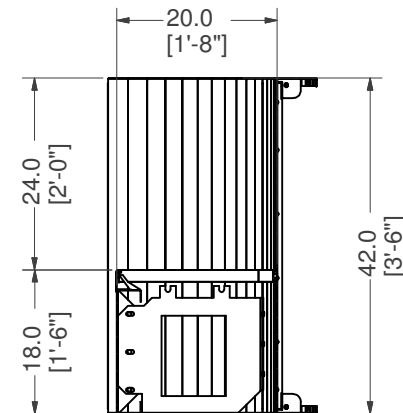
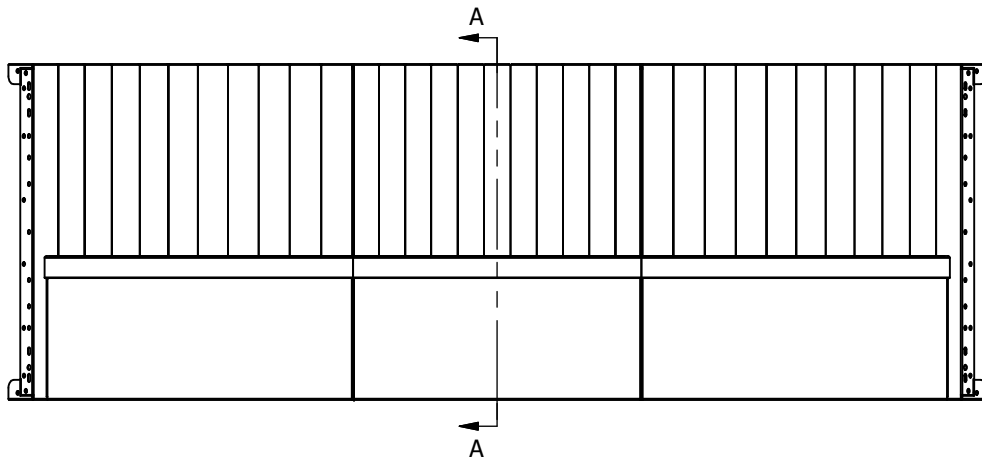
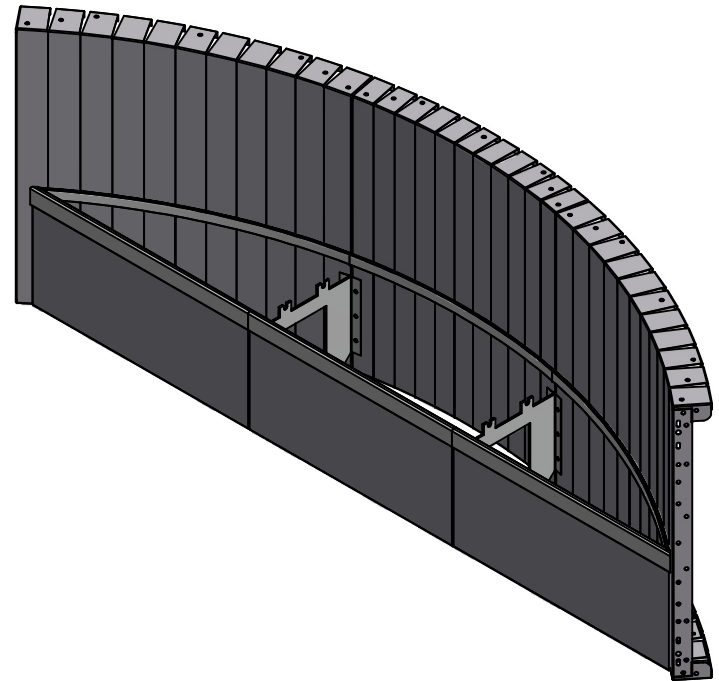


**REPLACES 10'-6" OF STEEL**



SECTION A-A  
SCALE 1/12

## OT Bench Radius 9'8" X 7'-6"RA



TOLERANCES EXCEPT AS NOTED:

0/0 0.0 0.00 0.000 0°

±1/8 ±0.25 ±0.0625 ±0.03125 ±1/2°

**DATE : 1/12/2017**

**PART #: SOK-BN113R090**

**SHEET : 1 OF 2**

**SECTION: 11 - 6**