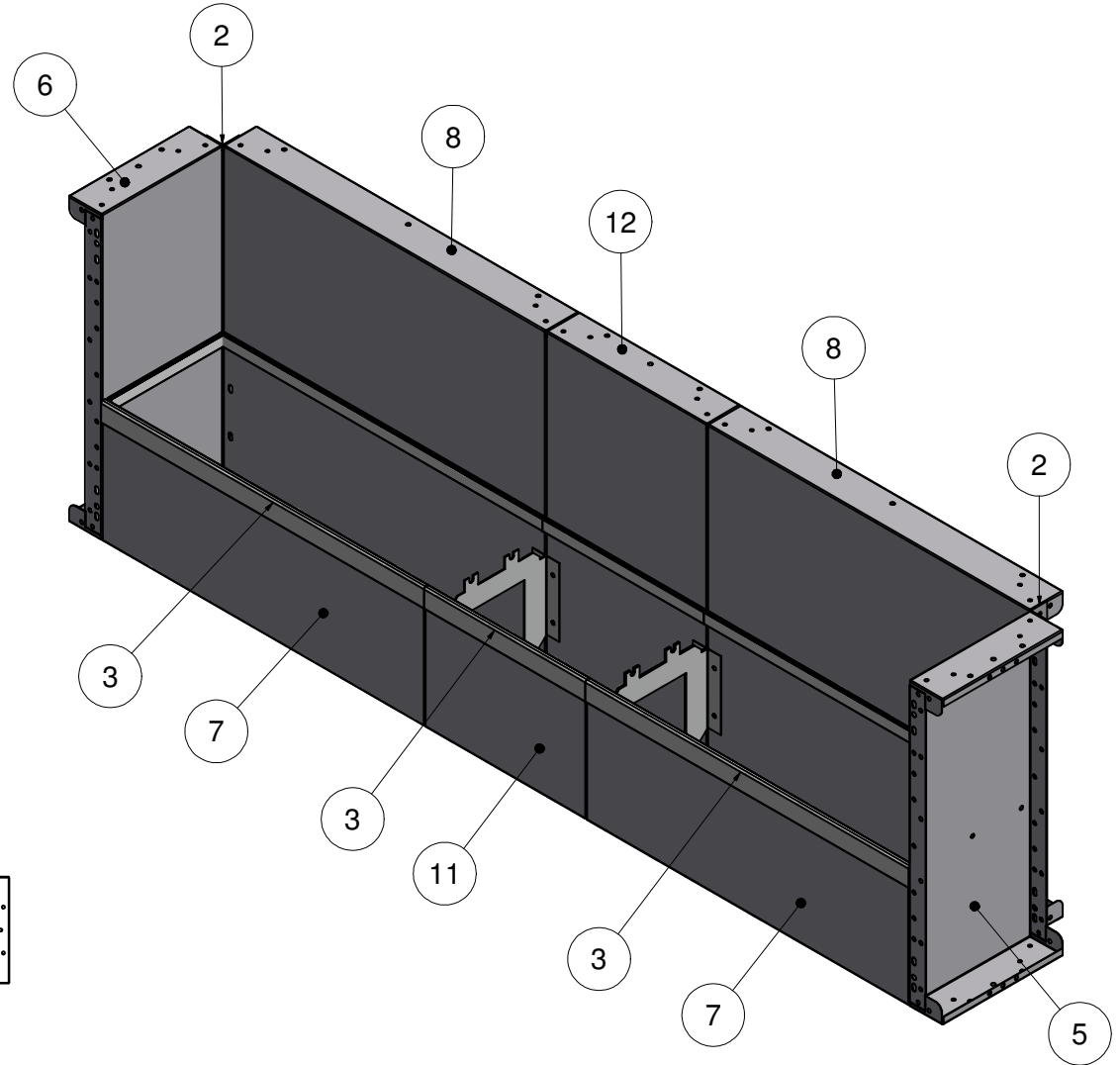
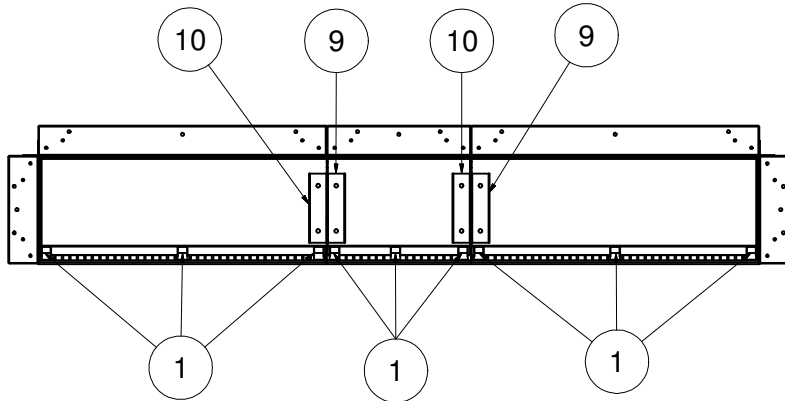


Parts List		
ITEM	QTY	PART NUMBER
1	9	COP-KCVRET-W-1
2	2	IPC-AB90
3	10'	OPC-CONREC-120
4	13'	SSC-1099
5	1	SSC-2462
6	1	SSC-2463
7	2	SSC-2464
8	2	SSC-2465
9	2	SSC-2468
10	2	SSC-2469
11	1	SSC-2474
12	1	SSC-2475

**NOTE: PVC 6" RADIUS INSERTS WILL BE PROVIDED WITH ALL STEP/BENCH KITS THAT HAVE 90 DEGREE CORNER.**



## OT BENCH STR-90D 10'



TOLERANCES EXCEPT AS NOTED:

0/0 0.0 0.00 0.000 0°  
±1/8 ±0.25 ±0.0625 ±0.03125 ±1/2°

**DATE : 1/12/2017**

**PART #: SOK-BN120ST90**

**SHEET : 2 OF 2**

**SECTION: 7 - 7**