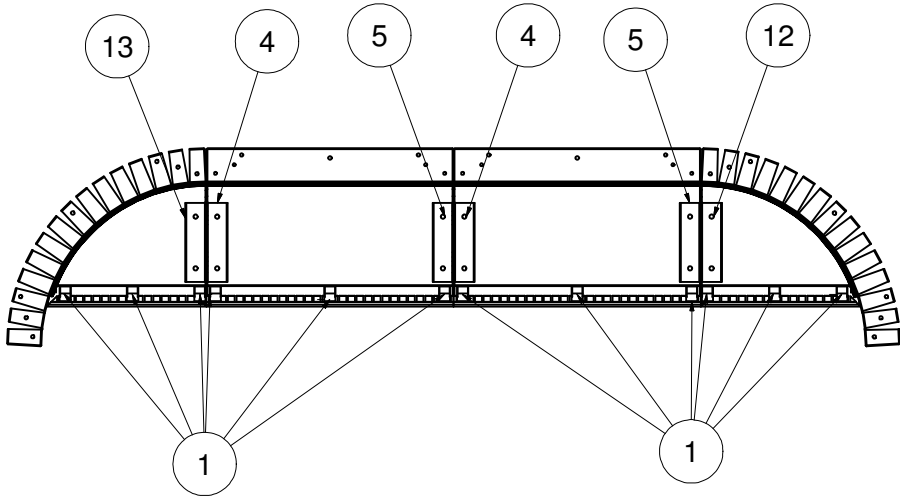
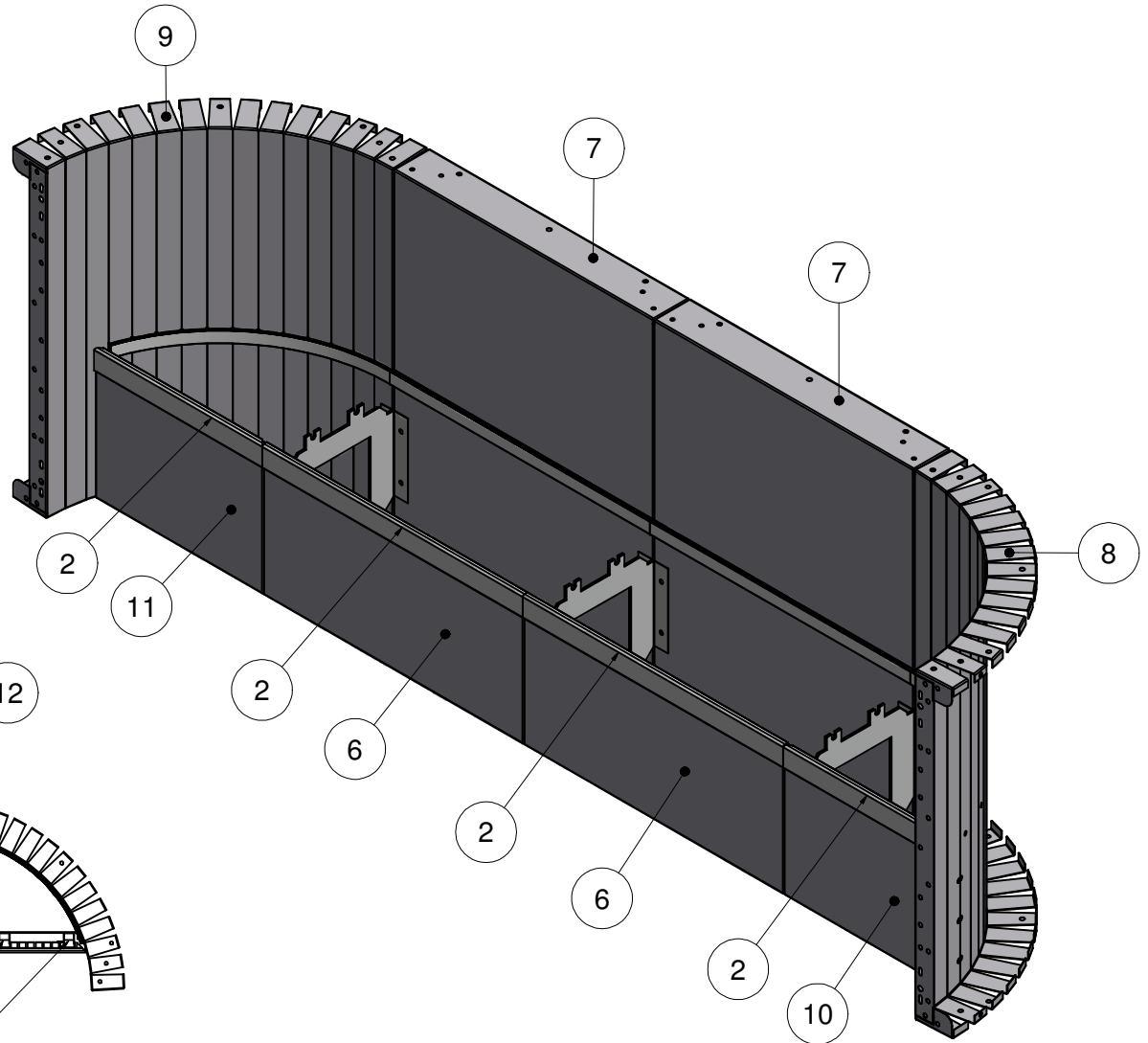


Parts List		
ITEM	QTY	PART NUMBER
1	12	COP-KCVRET-W-1
2	10'	OPC-CONREC-120
3	11'	SSC-1099
4	2	SSC-2468
5	2	SSC-2469
6	2	SSC-2470
7	2	SSC-2471
8	1	SSC-2523
9	1	SSC-2524
10	1	SSC-2525
11	1	SSC-2526
12	1	SSC-2527
13	1	SSC-2528



OT BENCH STR-2'RAD CN 10'



TOLERANCES EXCEPT AS NOTED:

0/0 0.0 0.00 0.000 0°

±1/8 ±0.25 ±0.0625 ±0.03125 ±1/2°

DATE : 1/12/2017

PART # : SOK-BN120STR2

SHEET : 2 OF 2

SECTION : 7 - 11