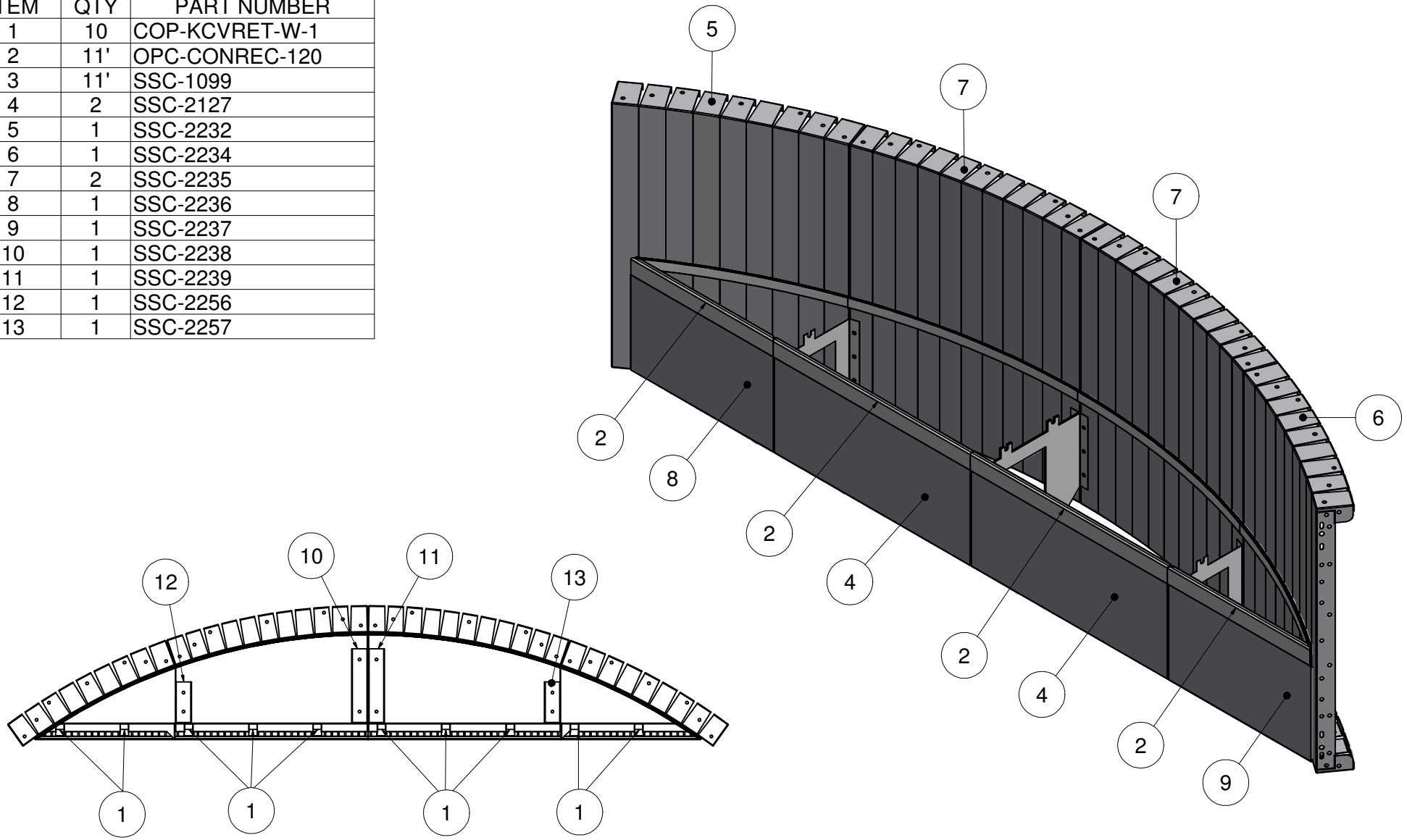


Parts List		
ITEM	QTY	PART NUMBER
1	10	COP-KCVRET-W-1
2	11'	OPC-CONREC-120
3	11'	SSC-1099
4	2	SSC-2127
5	1	SSC-2232
6	1	SSC-2234
7	2	SSC-2235
8	1	SSC-2236
9	1	SSC-2237
10	1	SSC-2238
11	1	SSC-2239
12	1	SSC-2256
13	1	SSC-2257



OT Bench Radius 10'5" X 9'RA



TOLERANCES EXCEPT AS NOTED:

0/0 0.0 0.00 0.000 0°

±1/8 ±0.25 ±0.0625 ±0.03125 ±1/2°

DATE : 1/12/2017

PART # : SOK-BN125R108

SHEET : 2 OF 2

SECTION: 11 - 9