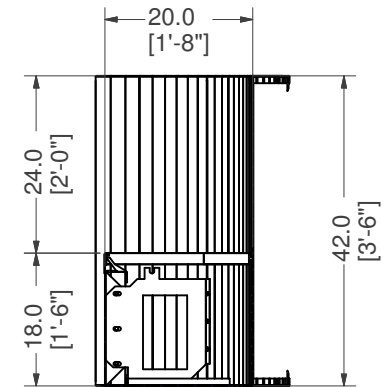
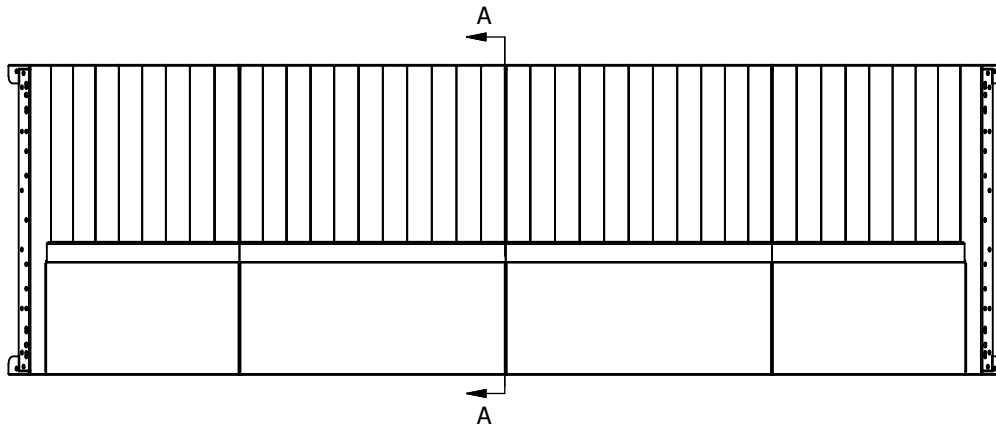
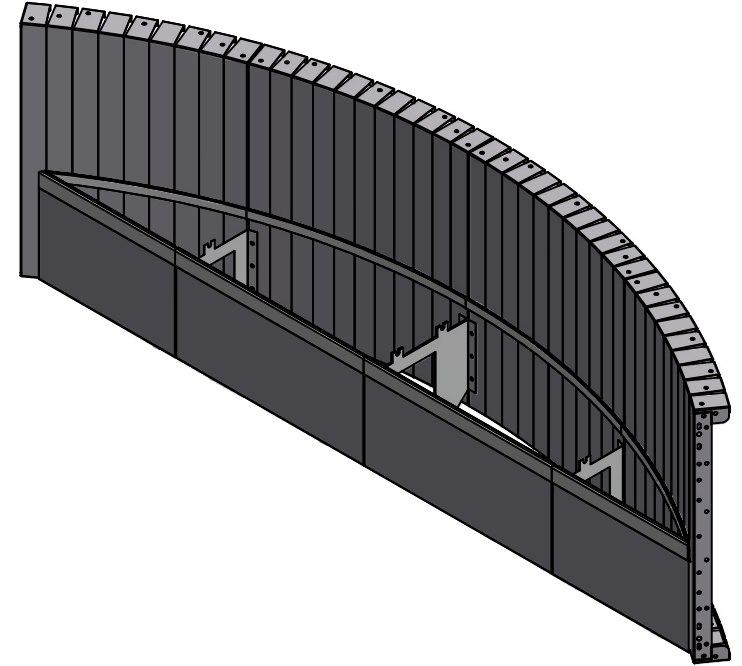


**REPLACES 11'-6" OF STEEL**



SECTION A-A  
SCALE 1/13

## OT Bench Radius 10'5" X 9'RA



TOLERANCES EXCEPT AS NOTED:

0/0 0.0 0.00 0.000 0°  
±1/8 ±0.25 ±0.0625 ±0.03125 ±1/2°

**DATE :** 1/12/2017

**PART #:** SOK-BN125R108

**SHEET :** 1 OF 2

**SECTION:** 11 - 9