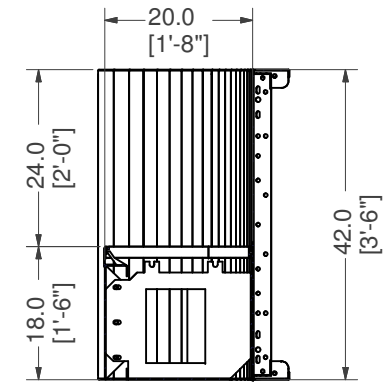
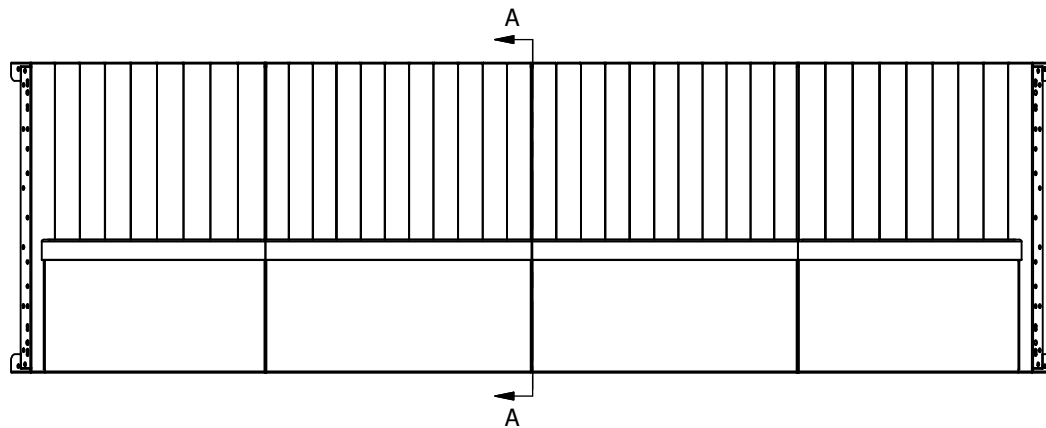
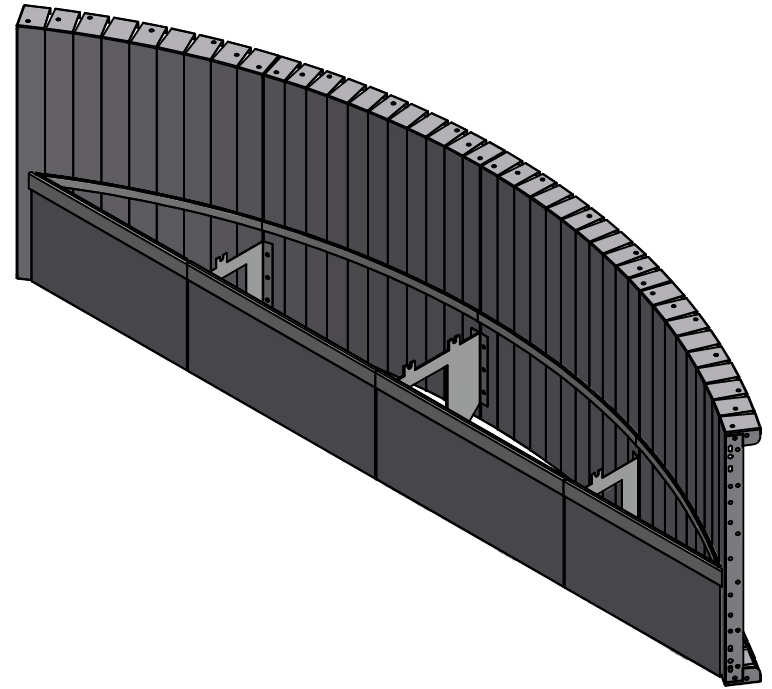


REPLACES 12'-0" OF STEEL



SECTION A-A
SCALE 1/13

OT Bench Radius 11'1" X 10'RA



TOLERANCES EXCEPT AS NOTED:

0/0 0.0 0.00 0.000 0°
±1/8 ±0.25 ±0.0625 ±0.03125 ±1/2°

DATE : 1/12/2017

PART # : SOK-BN133R120

SHEET : 1 OF 2

SECTION: 11 -10