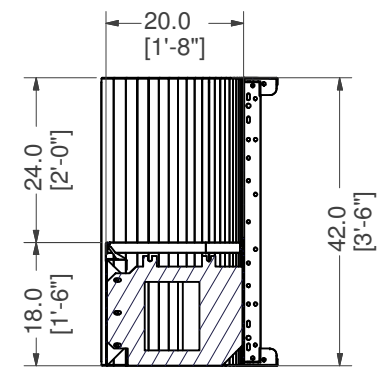
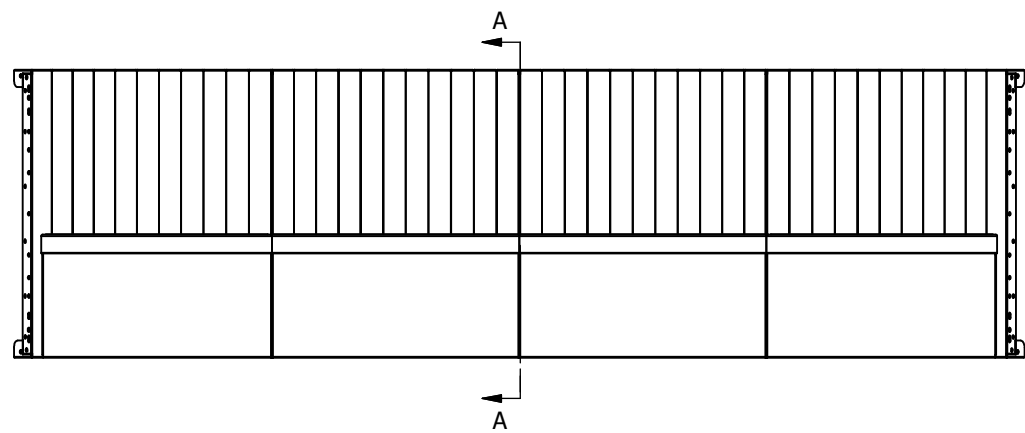


**REPLACES 12'-6" OF STEEL**



SECTION A-A  
SCALE 1/14

**OT Bench Radius 11'8" X 11'RA**



TOLERANCES EXCEPT AS NOTED:

0/0	0.0	0.00	0.000	0°
±1/8	±0.25	±0.0625	±0.03125	±1/2°

**DATE :** 1/12/2017

**PART #:** SOK-BN140R132

**SHEET :** 1 OF 2

**SECTION:** 11 - 11