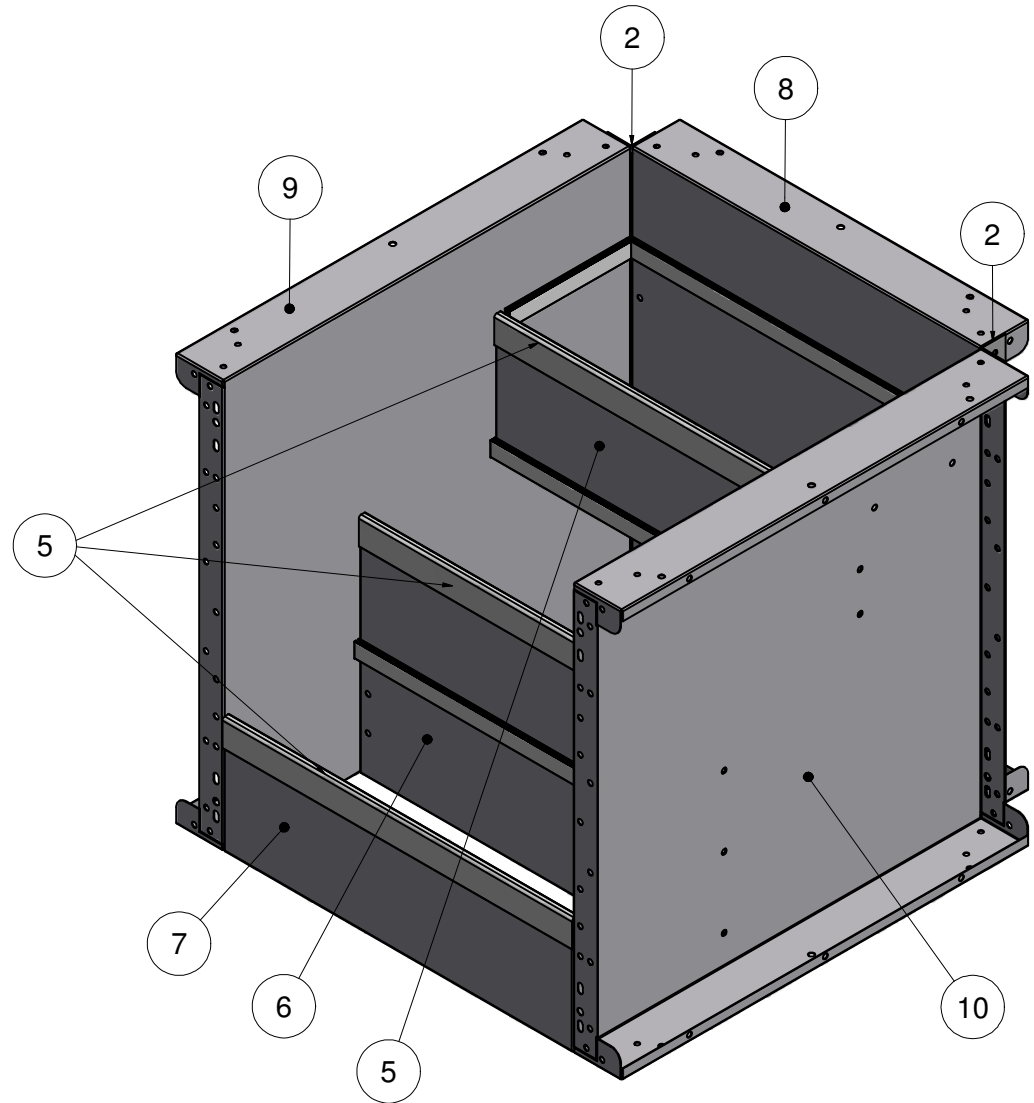
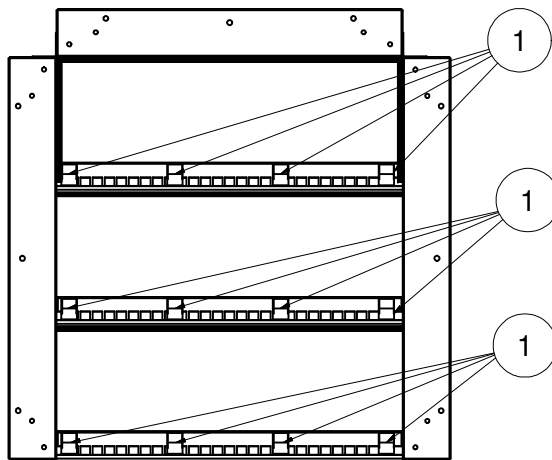


Parts List		
ITEM	QTY	PART NUMBER
1	12	COP-KCVRET-W-1
2	2	IPC-AB90
3	9'	OPC-CONREC-120
4	11'	SSC-1099
5	1	SSC-2305
6	1	SSC-2306
7	1	SSC-2307
8	1	SSC-2308
9	1	SSC-2309
10	1	SSC-2310

NOTE: PVC 6 " RADIUS INSERTS WILL BE PROVIDED WITH ALL STEP/BENCH KITS THAT HAVE 90 DEGREE CORNER.



OT STEP STR-90D 3 TRD 3'



TOLERANCES EXCEPT AS NOTED:

0/0 0.0 0.00 0.000 0°
 $\pm 1/8$ ± 0.25 ± 0.0625 ± 0.03125 $\pm 1/2^\circ$

DATE : 1/12/2017

PART #: SOK-ST036ST90

SHEET : 2 OF 2

SECTION: 1 - 1