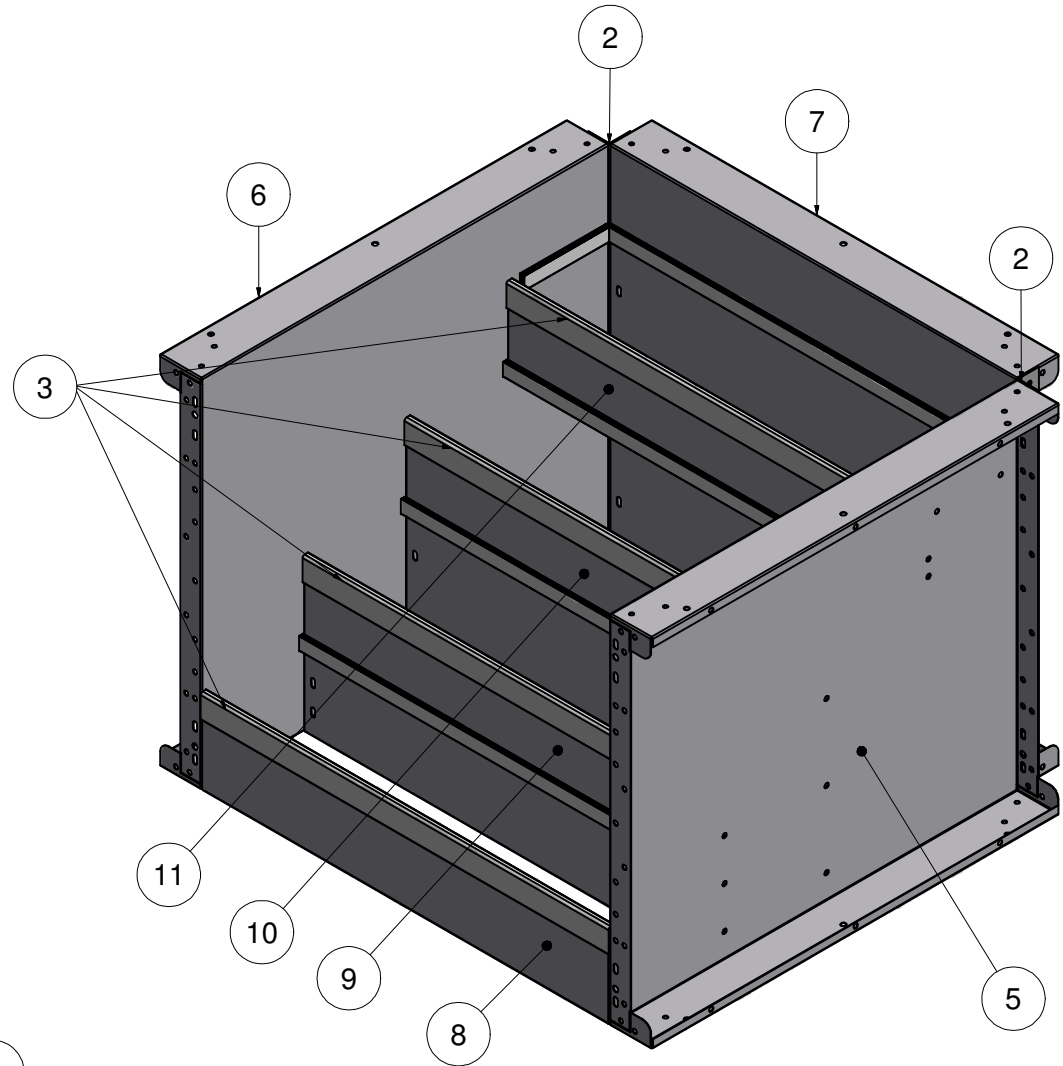
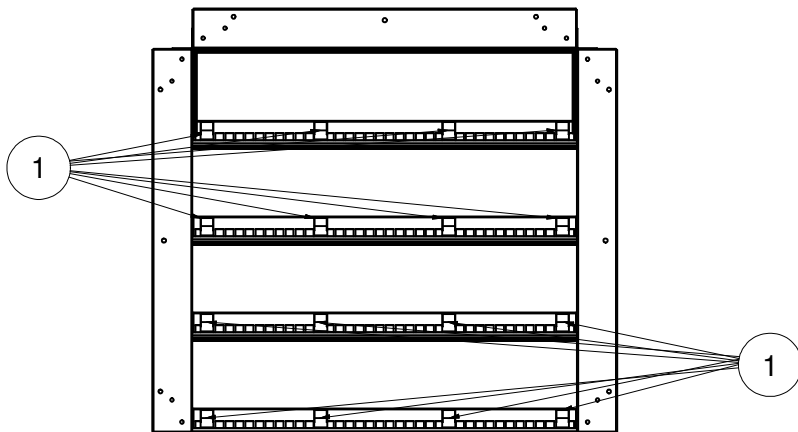


Parts List		
ITEM	QTY	PART NUMBER
1	16	COP-KCVRET-W-1
2	2	IPC-AB90
3	16'	OPC-CONREC-120
4	18'	SSC-1099
5	1	SSC-2490
6	1	SSC-2491
7	1	SSC-2497
8	1	SSC-2498
9	1	SSC-2499
10	1	SSC-2500
11	1	SSC-2501

NOTE: PVC 6 " RADIUS INSERTS WILL BE PROVIDED WITH ALL STEP/BENCH KITS THAT HAVE 90 DEGREE CORNER.



OT STEP STR-90D 4 TRD 4'



TOLERANCES EXCEPT AS NOTED:

0/0 0.0 0.00 0.000 0°
±1/8 ±0.25 ±0.0625 ±0.03125 ±1/2°

DATE : 1/12/2017

PART #: SOK-ST048ST904T

SHEET : 2 OF 2

SECTION: 2 - 2