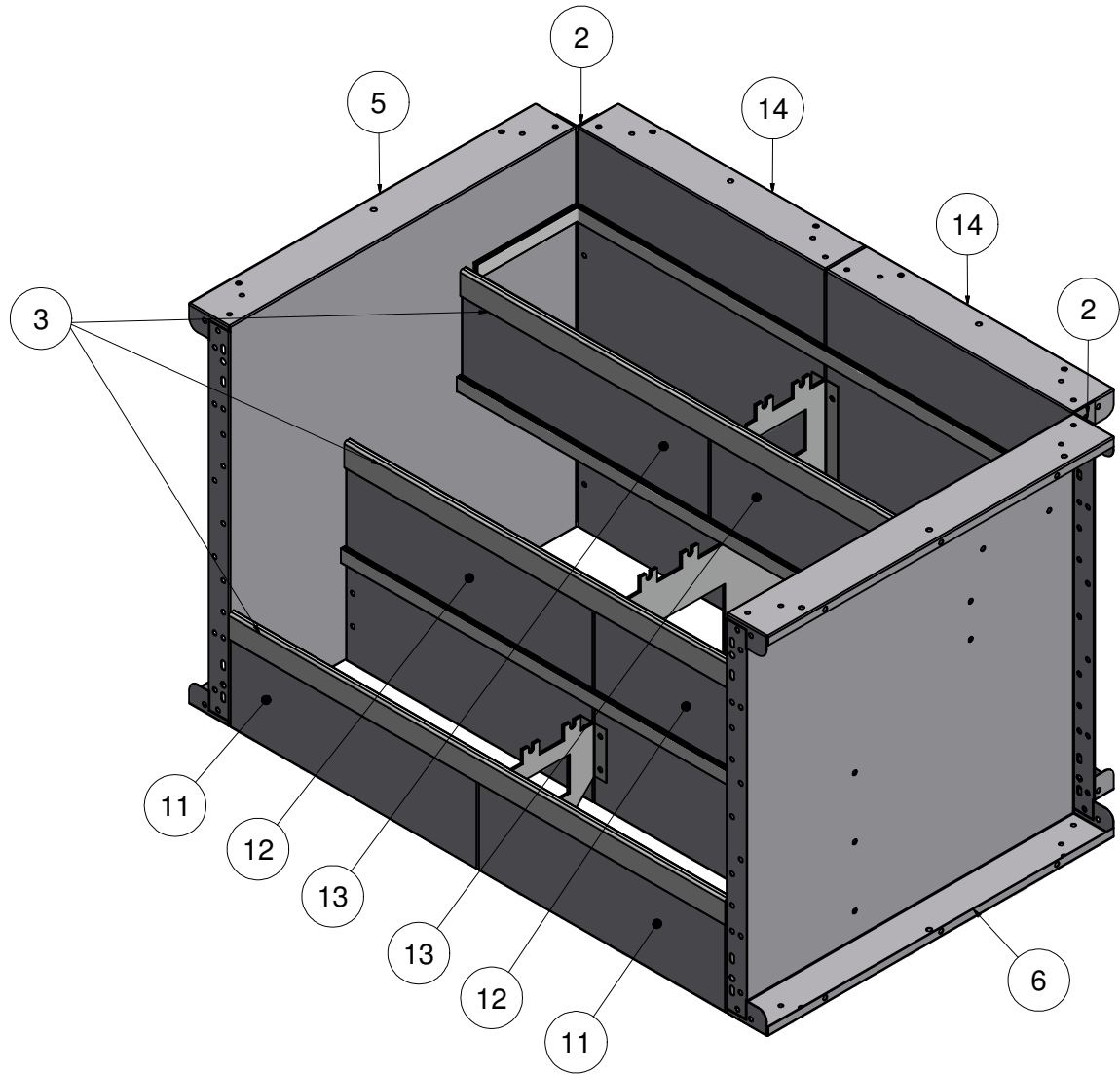
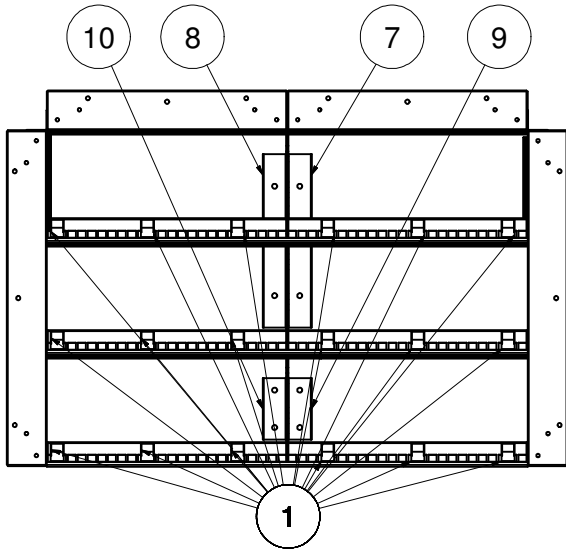


Parts List		
ITEM	QTY	PART NUMBER
1	18	COP-KCVRET-W-1
2	2	IPC-AB90
3	15'	OPC-CONREC-120
4	18'	SSC-1099
5	1	SSC-2309
6	1	SSC-2310
7	1	SSC-2315
8	1	SSC-2316
9	1	SSC-2317
10	1	SSC-2318
11	2	SSC-2612
12	2	SSC-2613
13	2	SSC-2614
14	2	SSC-2615

**NOTE: PVC 6" RADIUS INSERTS WILL BE PROVIDED WITH ALL STEP/BENCH KITS THAT HAVE 90 DEGREE CORNER.**



## OT STEP STR-90D 3 TRD 5'



TOLERANCES EXCEPT AS NOTED:

0/0 0.0 0.00 0.000 0°  
 ±1/8 ±0.25 ±0.0625 ±0.03125 ±1/2°

**DATE : 1/12/2017**

**PART #: SOK-ST060ST90**

**SHEET : 2 OF 2**

**SECTION: 1 - 3**