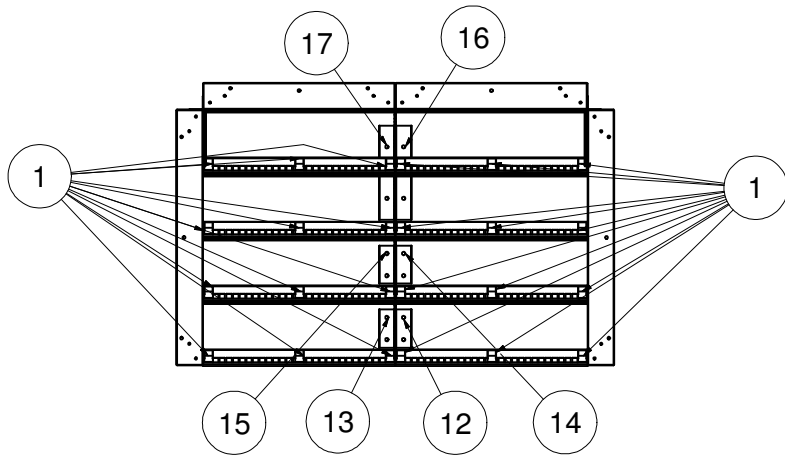
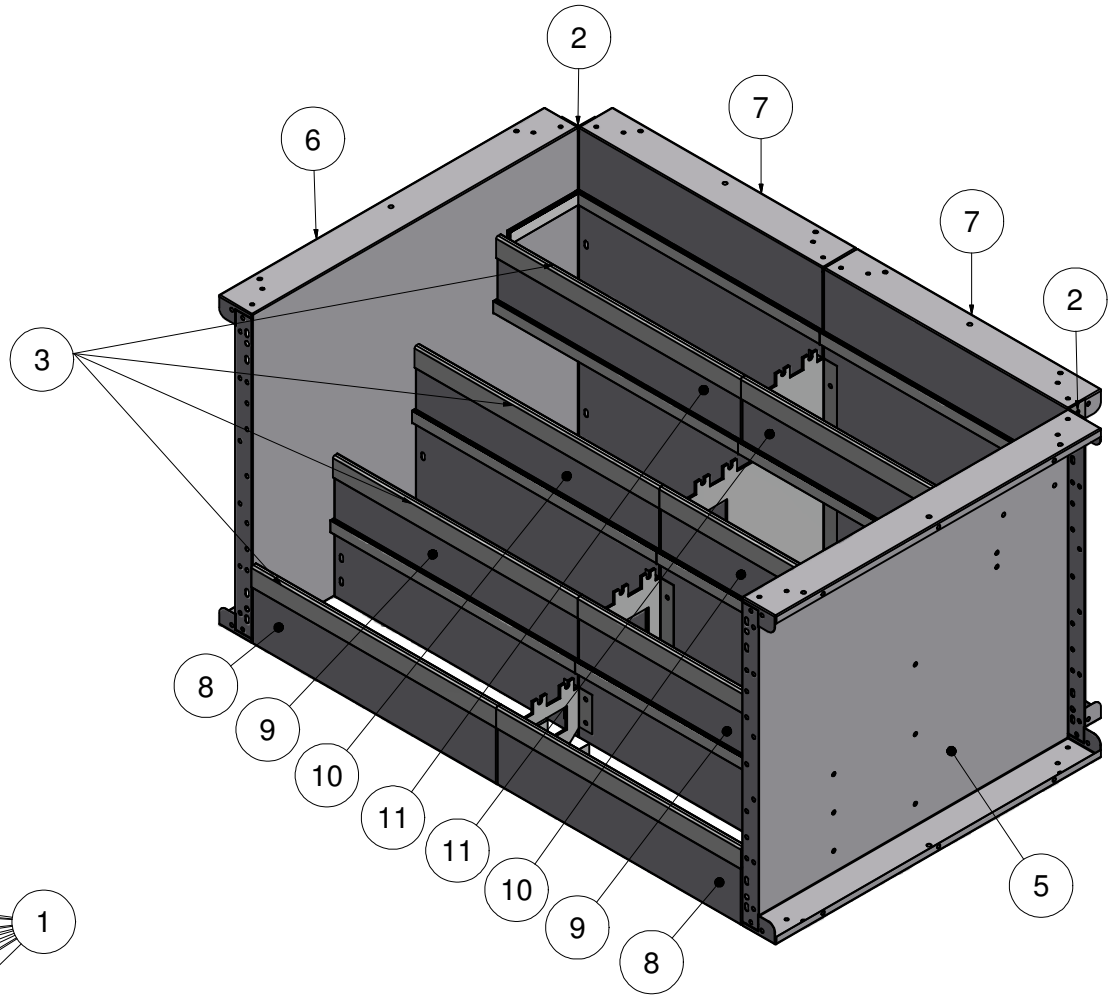


Parts List		
ITEM	QTY	PART NUMBER
1	24	COP-KCVRET-W-1
2	2	IPC-AB90
3	24'	OPC-CONREC-120
4	26'	SSC-1099
5	1	SSC-2490
6	1	SSC-2491
7	2	SSC-2492
8	2	SSC-2493
9	2	SSC-2494
10	2	SSC-2495
11	2	SSC-2496
12	1	SSC-2507
13	1	SSC-2508
14	1	SSC-2509
15	1	SSC-2510
16	1	SSC-2511
17	1	SSC-2512

NOTE: PVC 6 " RADIUS INSERTS WILL BE PROVIDED WITH ALL STEP/BENCH KITS THAT HAVE 90 DEGREE CORNER.



OT STEP STR-90D 4 TRD 6'



TOLERANCES EXCEPT AS NOTED:

0/0 0.0 0.00 0.000 0°
 ±1/8 ±0.25 ±0.0625 ±0.03125 ±1/2°

DATE : 1/12/2017

PART #: SOK-ST072ST904T

SHEET : 2 OF 2

SECTION: 2 - 3