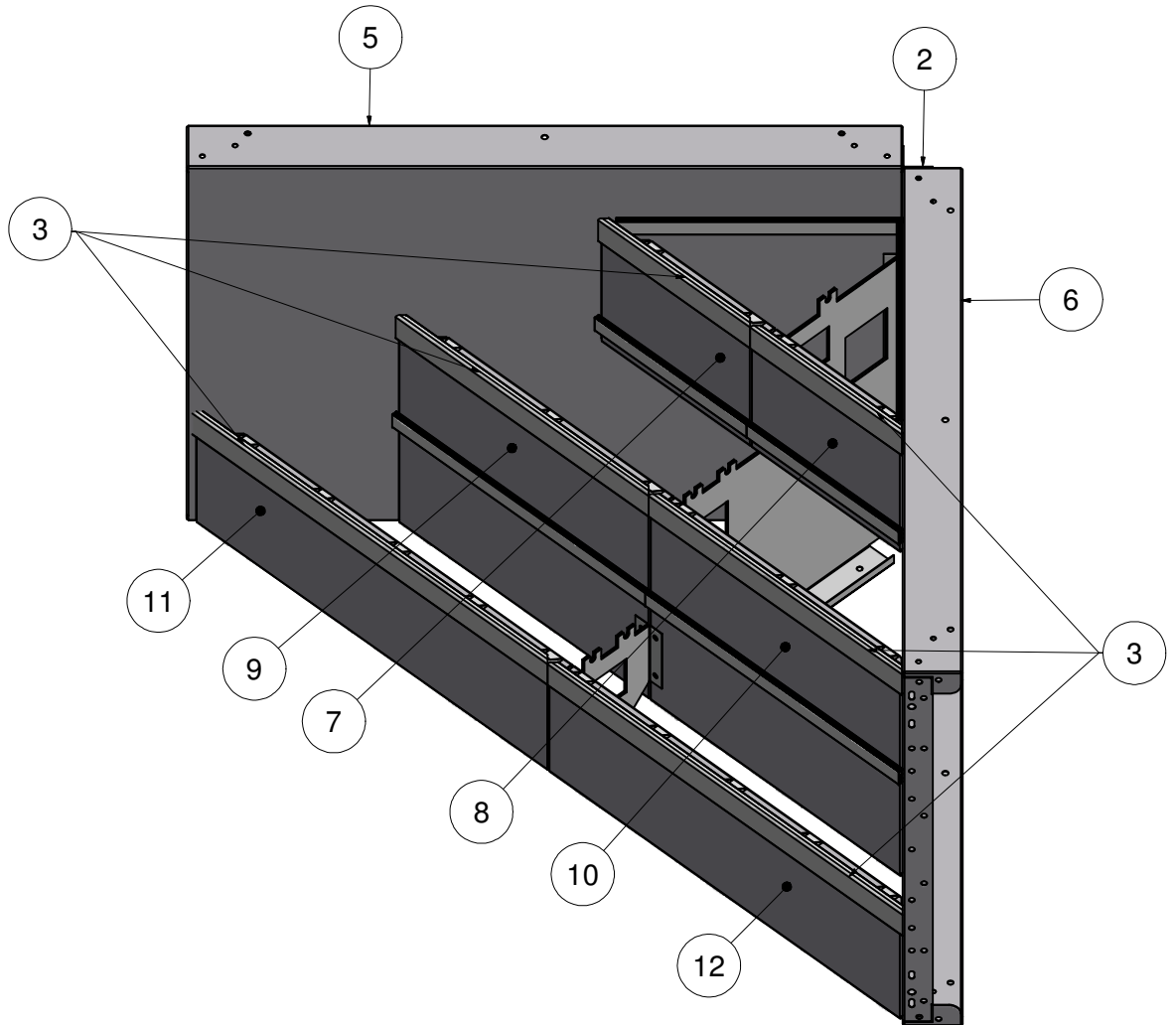
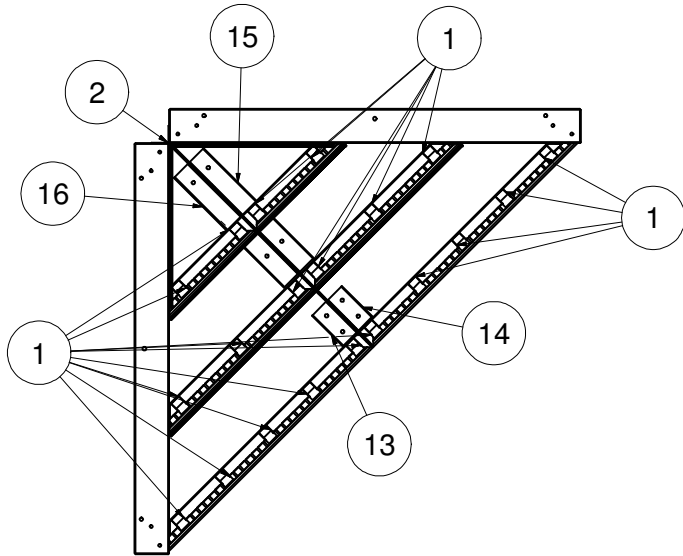


Parts List		
ITEM	QTY	PART NUMBER
1	20	COP-KCVRET-W-1
2	1	IPC-AB90
3	15'	OPC-CONREC-120
4	13'	SSC-1099
5	1	SSC-2773
6	1	SSC-2774
7	1	SSC-2775
8	1	SSC-2776
9	1	SSC-2777
10	1	SSC-2778
11	1	SSC-2779
12	1	SSC-2780
13	1	SSC-2781
14	1	SSC-2782
15	1	SSC-2783
16	1	SSC-2784

**NOTE: PVC 6 " RADIUS INSERTS WILL BE PROVIDED WITH ALL STEP/BENCH KITS THAT HAVE 90 DEGREE CORNER.**



## AUTOCVR OPEN TOP CN-90D 3 TRD 7'



TOLERANCES EXCEPT AS NOTED:

0/0 0.0 0.00 0.000 0°  
±1/8 ±0.25 ±0.0625 ±0.03125 ±1/2°

**DATE : 1/12/2017**

**PART # : SOK-ST084ACCS90**

**SHEET : 2 OF 2**

**SECTION: 5 - 1**