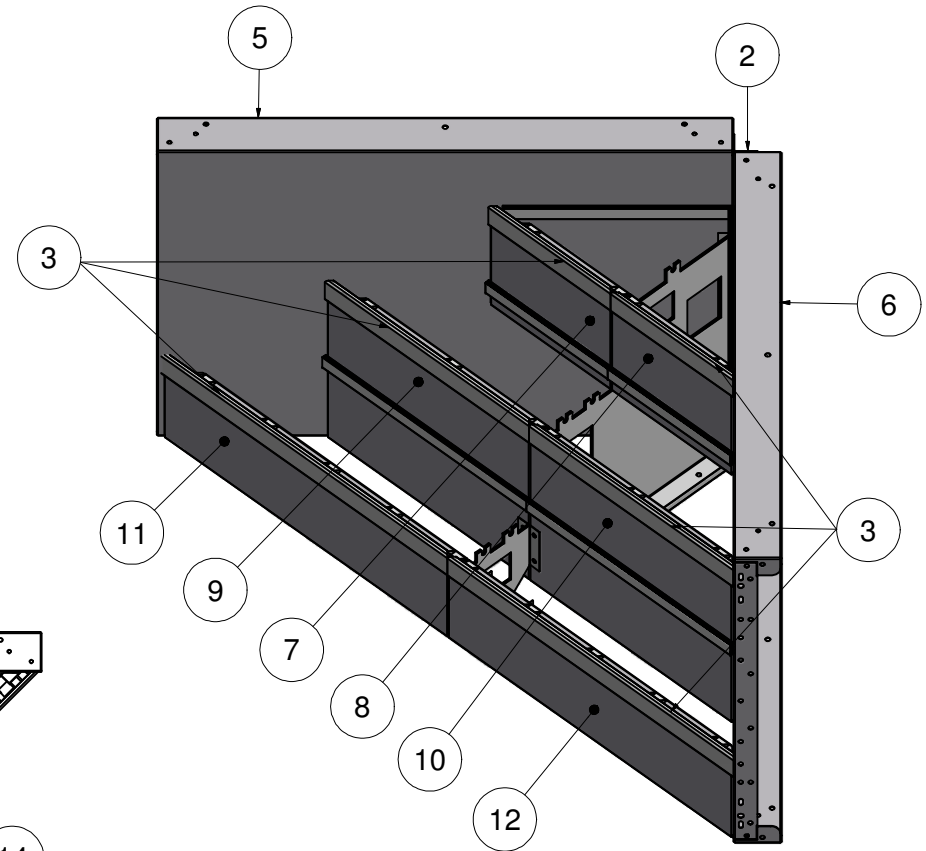
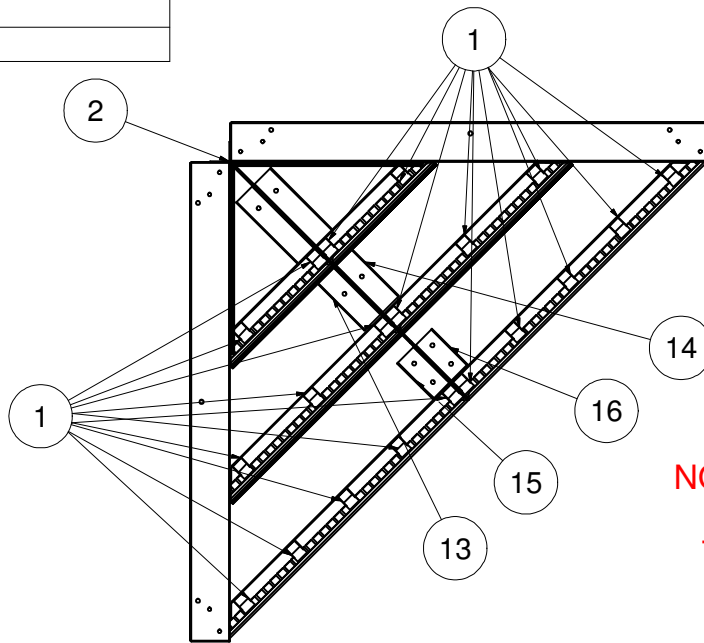


Parts List		
ITEM	QTY	PART NUMBER
1	20	COP-KCVRET-W-1
2	1	IPC-AB90
3	15'	OPC-CONREC-120
4	12'	SSC-1099
5	1	SSC-2893
6	1	SSC-2894
7	1	SSC-2895
8	1	SSC-2896
9	1	SSC-2897
10	1	SSC-2898
11	1	SSC-2899
12	1	SSC-2900
13	1	SSC-2901
14	1	SSC-2902
15	1	SSC-2903
16	1	SSC-2904



NOTE: PVC 6" RADIUS INSERTS WILL BE PROVIDED WITH ALL STEP/BENCH KITS THAT HAVE 90 DEGREE CORNER.

OPEN TOP CN-90D 3 TRD 7'-A



TOLERANCES EXCEPT AS NOTED:

0/0 0.0 0.00 0.000 0°
 ±1/8 ±0.25 ±0.0625 ±0.03125 ±1/2°

DATE : 1/12/2017

PART #: SOK-ST084CS90-A

SHEET : 2 OF 2

SECTION: 4 - 1