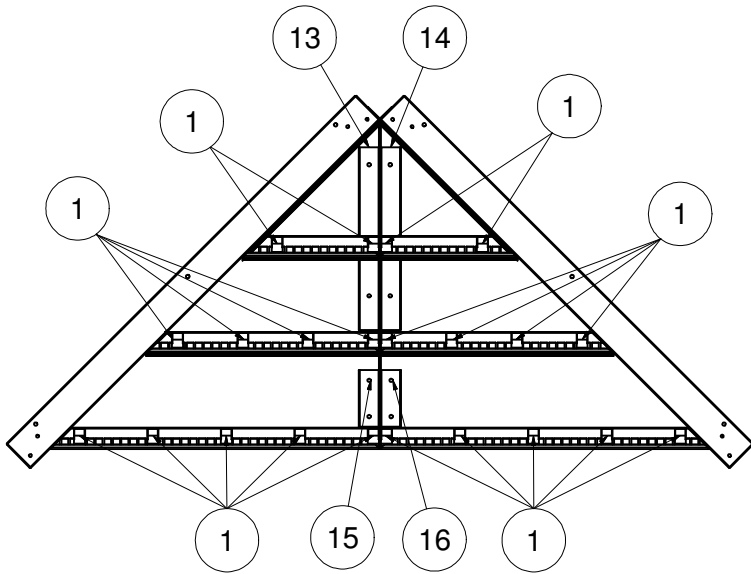
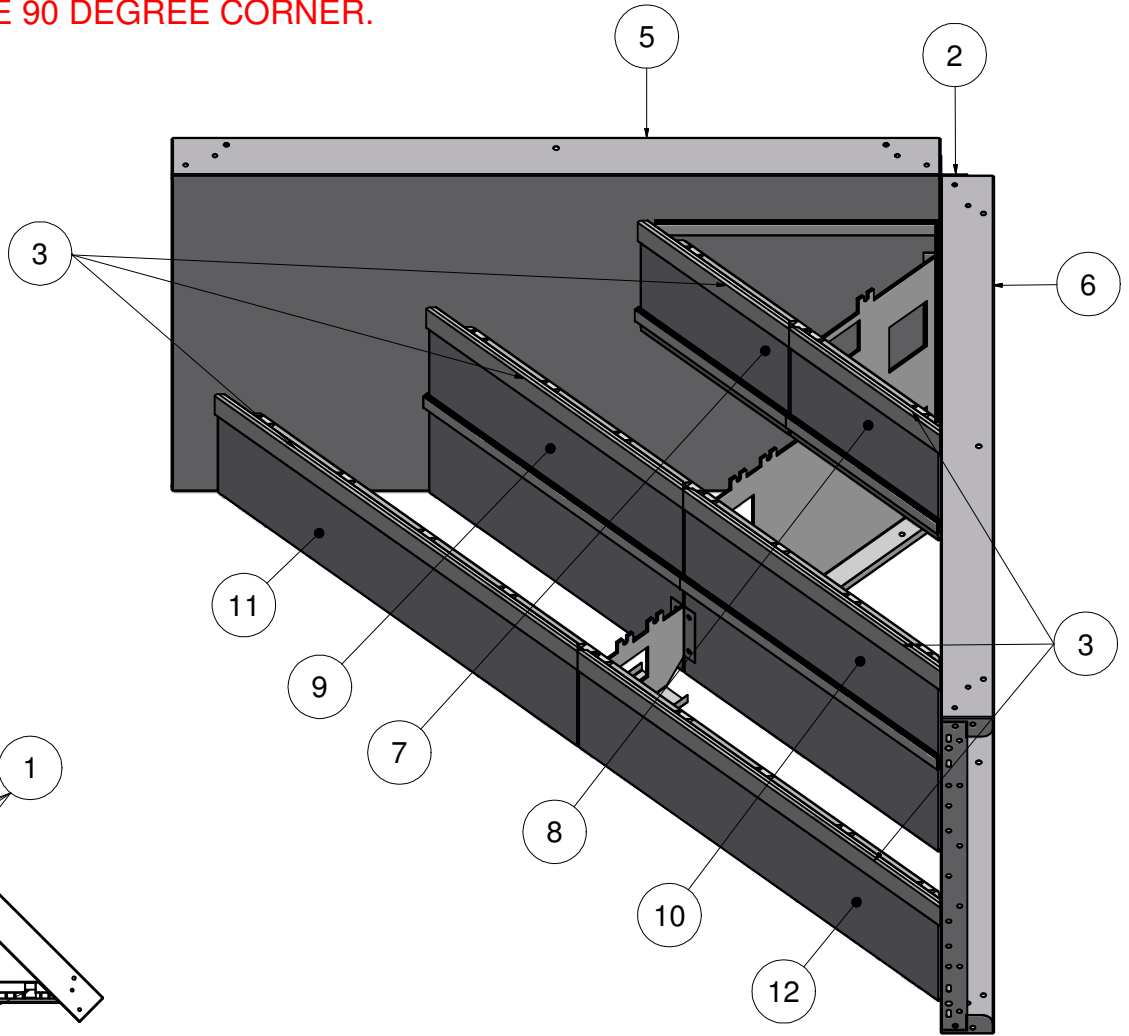


Parts List		
ITEM	QTY	PART NUMBER
1	22	COP-KCVRET-W-1
2	1	IPC-AB90
3	18'	OPC-CONREC-120
4	14'	SSC-1099
5	1	SSC-2785
6	1	SSC-2786
7	1	SSC-2787
8	1	SSC-2788
9	1	SSC-2789
10	1	SSC-2790
11	1	SSC-2791
12	1	SSC-2792
13	1	SSC-2793
14	1	SSC-2794
15	1	SSC-2795
16	1	SSC-2796

NOTE: PVC 6" RADIUS INSERTS WILL BE PROVIDED WITH ALL STEP/BENCH KITS THAT HAVE 90 DEGREE CORNER.



AUTOCVR OPEN TOP CN-90D 3 TRD 8'



TOLERANCES EXCEPT AS NOTED:

0/0 0.0 0.00 0.000 0°

±1/8 ±0.25 ±0.0625 ±0.03125 ±1/2°

DATE : 1/12/2017

PART #: SOK-ST096ACCS90

SHEET : 2 OF 2

SECTION: 5 - 2