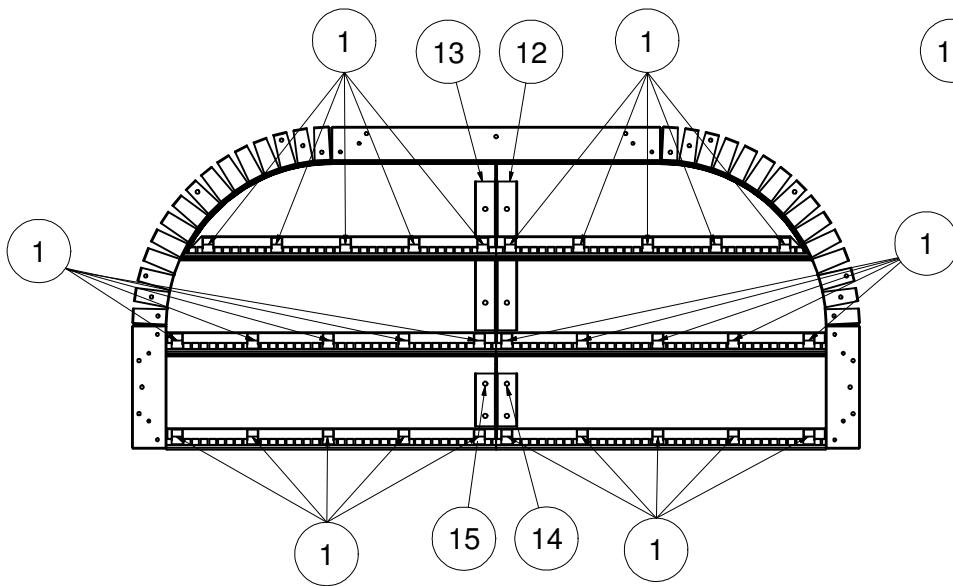
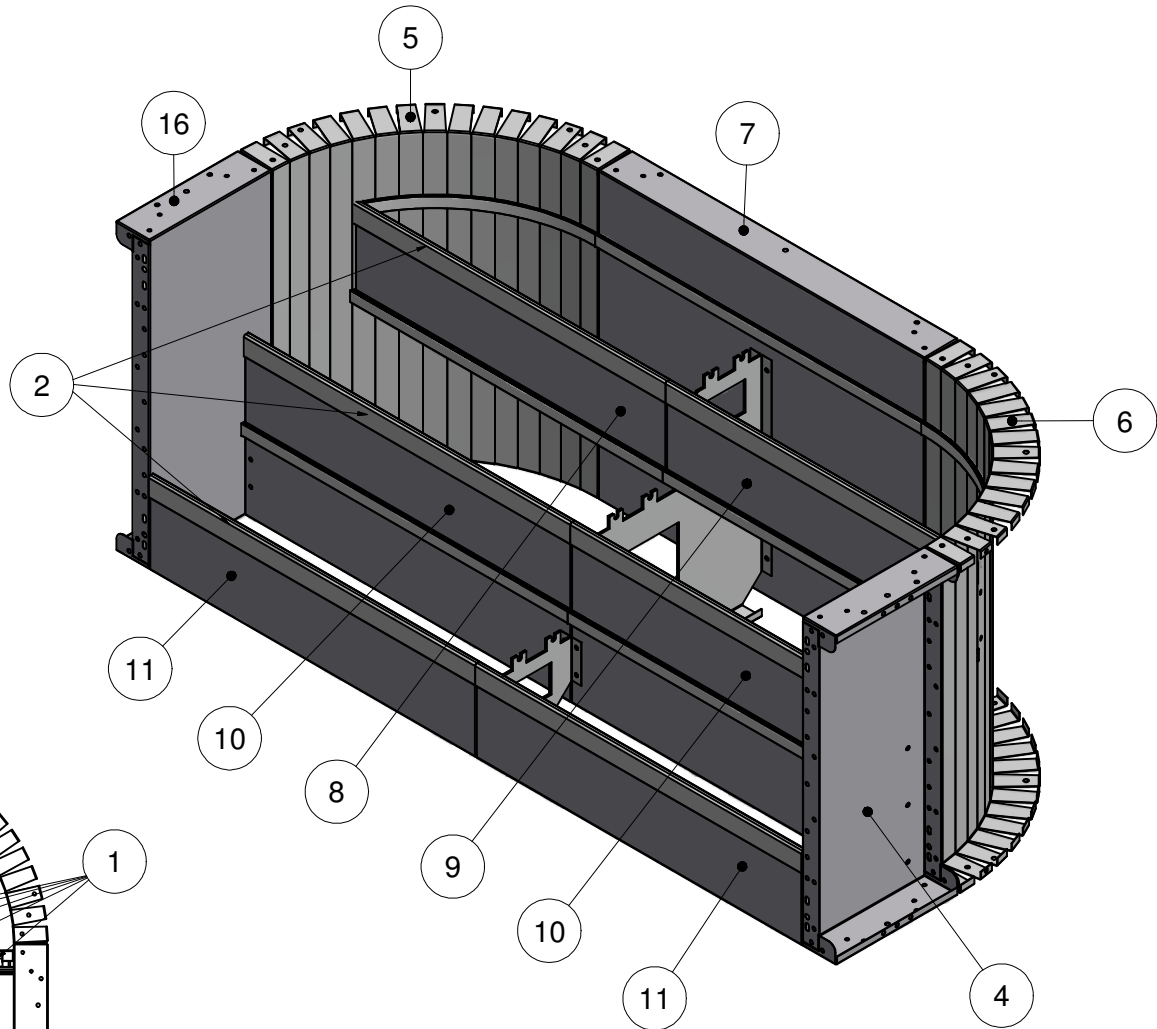


Parts List

ITEM	QTY	PART NUMBER
1	28	COP-KCVRET-W-1
2	24'	OPC-CONREC-120
3	28'	SSC-1099
4	1	SSC-1361
5	1	SSC-1362
6	1	SSC-1363
7	1	SSC-1367
8	1	SSC-1368
9	1	SSC-1369
10	2	SSC-2312
11	2	SSC-2313
12	1	SSC-2315
13	1	SSC-2316
14	1	SSC-2317
15	1	SSC-2318
16	1	SSC-2319



OT STEP 2'R CORNERS 3 TRD 8'



TOLERANCES EXCEPT AS NOTED:

0/0 0.0 0.00 0.000 0°

±1/8 ±0.25 ±0.0625 ±0.03125 ±1/2°

DATE : 1/6/2017

PART # : SOK-ST096STR2

SHEET : 2 OF 2

SECTION : 3 - 2