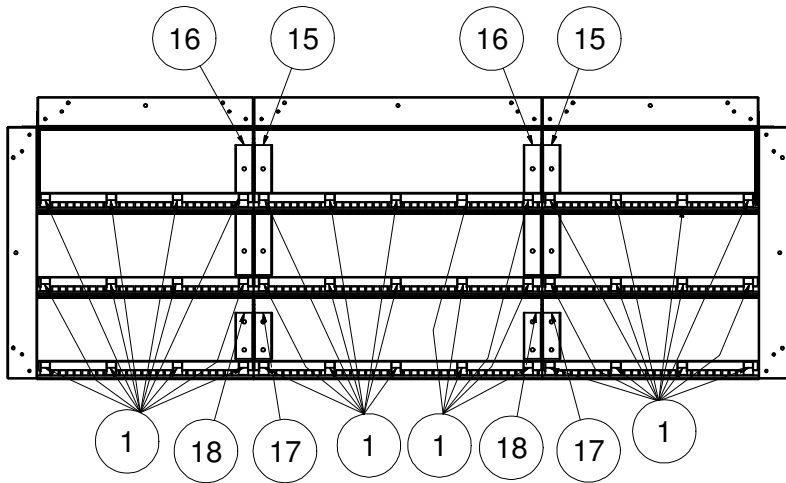
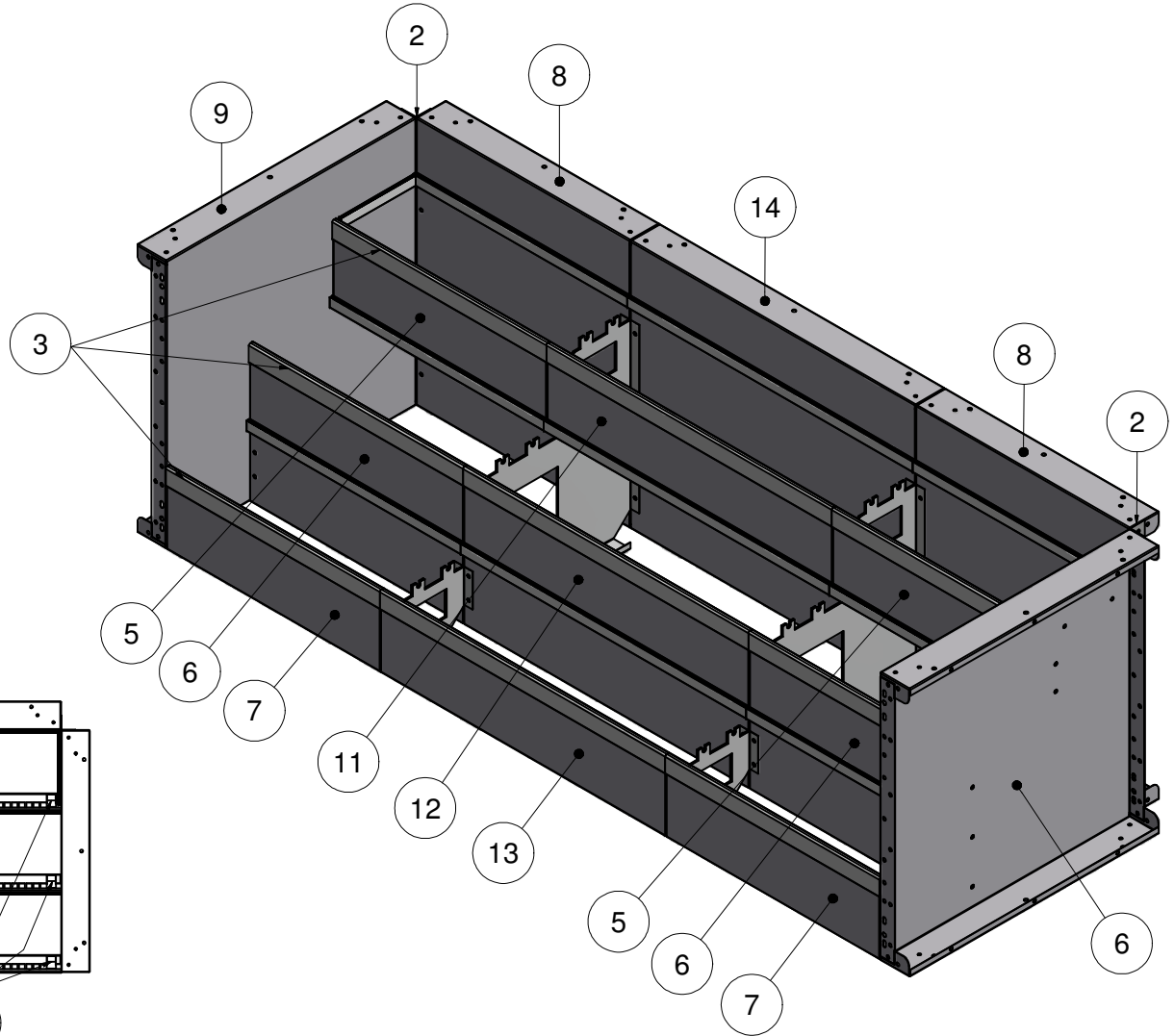


Parts List		
ITEM	QTY	PART NUMBER
1	39	COP-KCVRET-W-1
2	2	IPC-AB90
3	30'	OPC-CONREC-120
4	32'	SSC-1099
5	2	SSC-2305
6	2	SSC-2306
7	2	SSC-2307
8	2	SSC-2308
9	1	SSC-2309
10	1	SSC-2310
11	1	SSC-2311
12	1	SSC-2312
13	1	SSC-2313
14	1	SSC-2314
15	2	SSC-2315
16	2	SSC-2316
17	2	SSC-2317
18	2	SSC-2318

NOTE: PVC 6 " RADIUS INSERTS WILL BE PROVIDED WITH ALL STEP/BENCH KITS THAT HAVE 90 DEGREE CORNER.



OT STEP STR-90D 3 TRD 10'



TOLERANCES EXCEPT AS NOTED:

0/0 0.0 0.00 0.000 0°
 ±1/8 ±0.25 ±0.0625 ±0.03125 ±1/2°

DATE : 1/12/2017

PART #: SOK-ST120ST90

SHEET : 2 OF 2

SECTION: 1 - 8