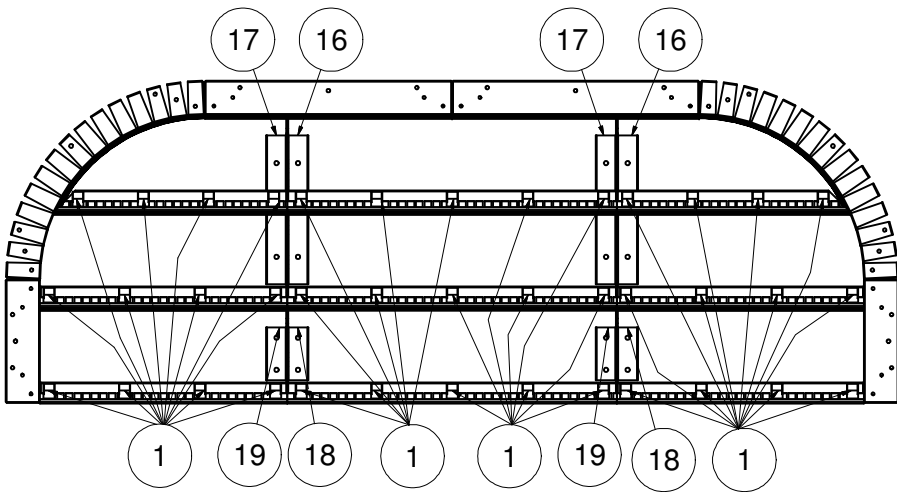
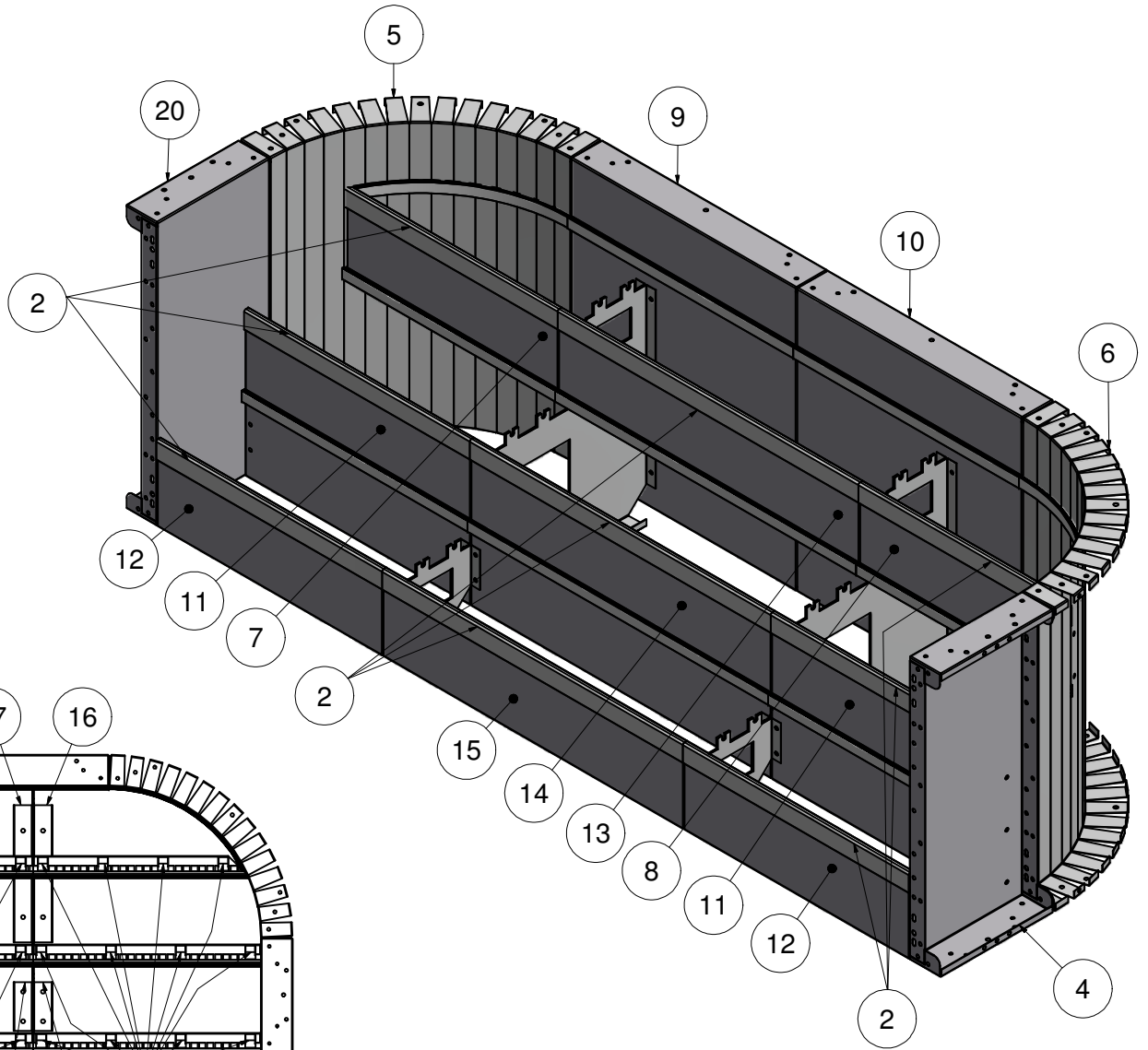


Parts List		
ITEM	QTY	PART NUMBER
1	39	COP-KCVRET-W-1
2	30'	OPC-CONREC-120
3	30'	SSC-1099
4	1	SSC-1361
5	1	SSC-1362
6	1	SSC-1363
7	1	SSC-1365
8	1	SSC-1366
9	1	SSC-1370
10	1	SSC-1371
11	2	SSC-2306
12	2	SSC-2307
13	1	SSC-2311
14	1	SSC-2312
15	1	SSC-2313
16	2	SSC-2315
17	2	SSC-2316
18	2	SSC-2317
19	2	SSC-2318
20	1	SSC-2319



## OT STEP 2'R CORNERS 3 TRD 10'



TOLERANCES EXCEPT AS NOTED:

0/0 0.0 0.00 0.000 0°

±1/8 ±0.25 ±0.0625 ±0.03125 ±1/2°

**DATE :** 1/6/2017

**PART #:** SOK-ST120STR2

**SHEET :** 2 OF 2

**SECTION:** 3 - 3