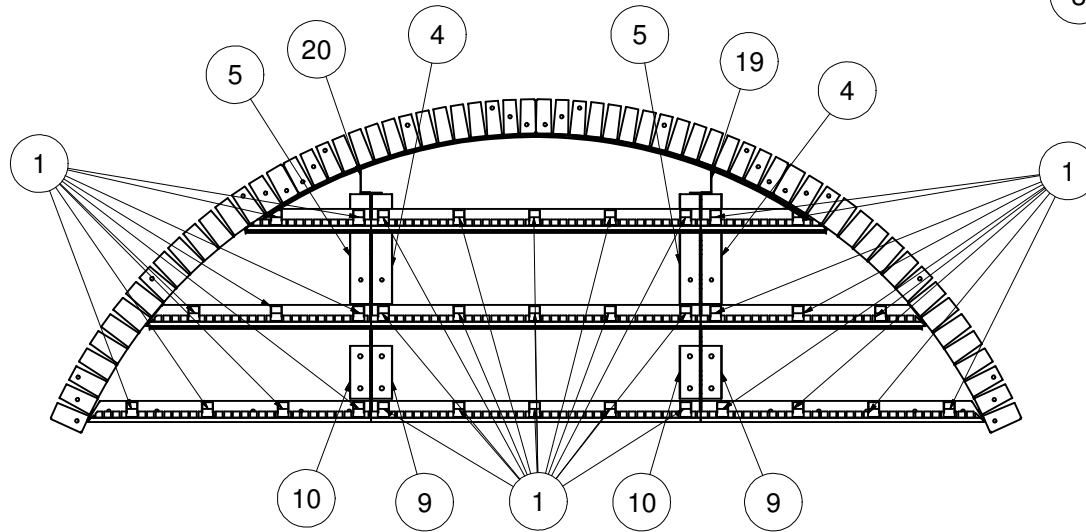
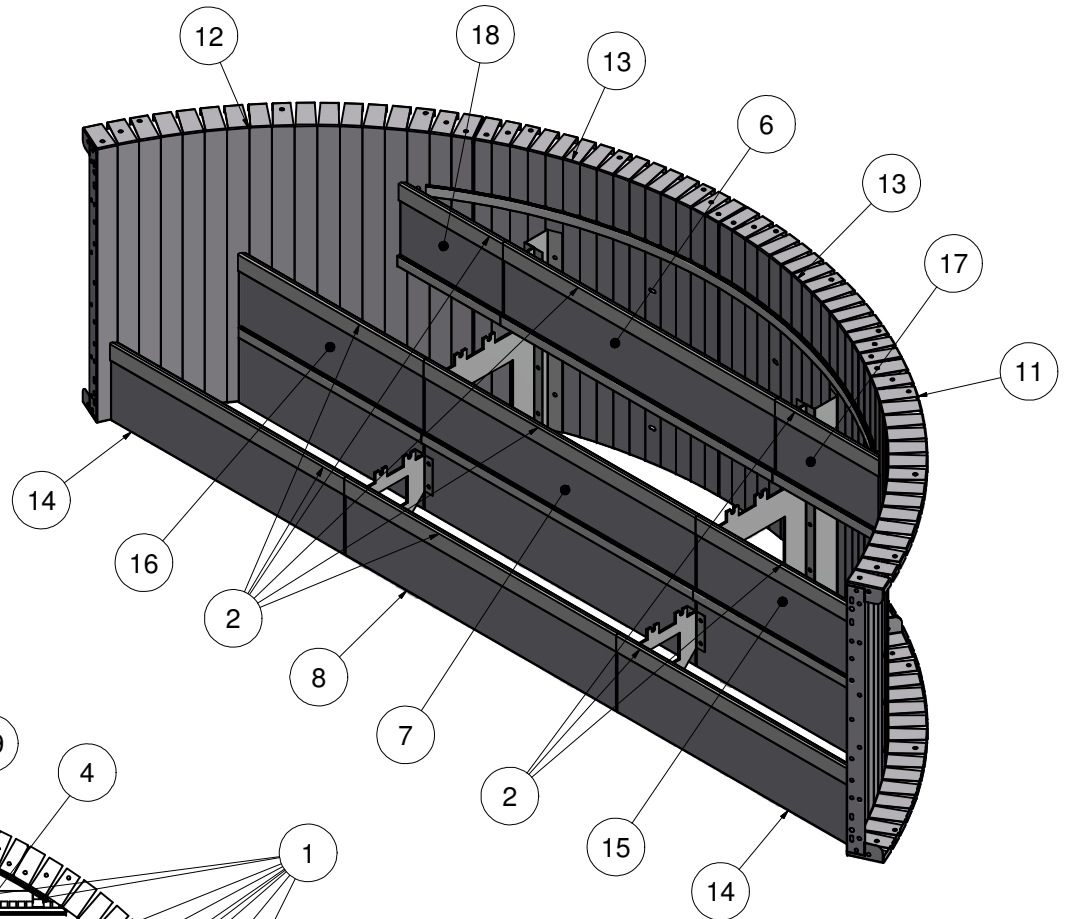


Parts List		
ITEM	QTY	PART NUMBER
1	33	COP-KCVRET-W-1
2	30'	OPC-CONREC-120
3	29'	SSC-1099
4	2	SSC-1382
5	2	SSC-1383
6	1	SSC-2311
7	1	SSC-2312
8	1	SSC-2313
9	2	SSC-2317
10	2	SSC-2318
11	1	SSC-2322
12	1	SSC-2323
13	2	SSC-2324
14	2	SSC-2325
15	1	SSC-2326
16	1	SSC-2327
17	1	SSC-2328
18	1	SSC-2329
19	1	SSC-2330
20	1	SSC-2331



OT STEP RADIUS 3 TRD 10'11 X 6'RA



TOLERANCES EXCEPT AS NOTED:

0/0 0.0 0.00 0.000 0°

±1/8 ±0.25 ±0.0625 ±0.03125 ±1/2°

DATE : 1/12/2017

PART # : SOK-ST131R072

SHEET : 2 OF 2

SECTION : 9 - 3