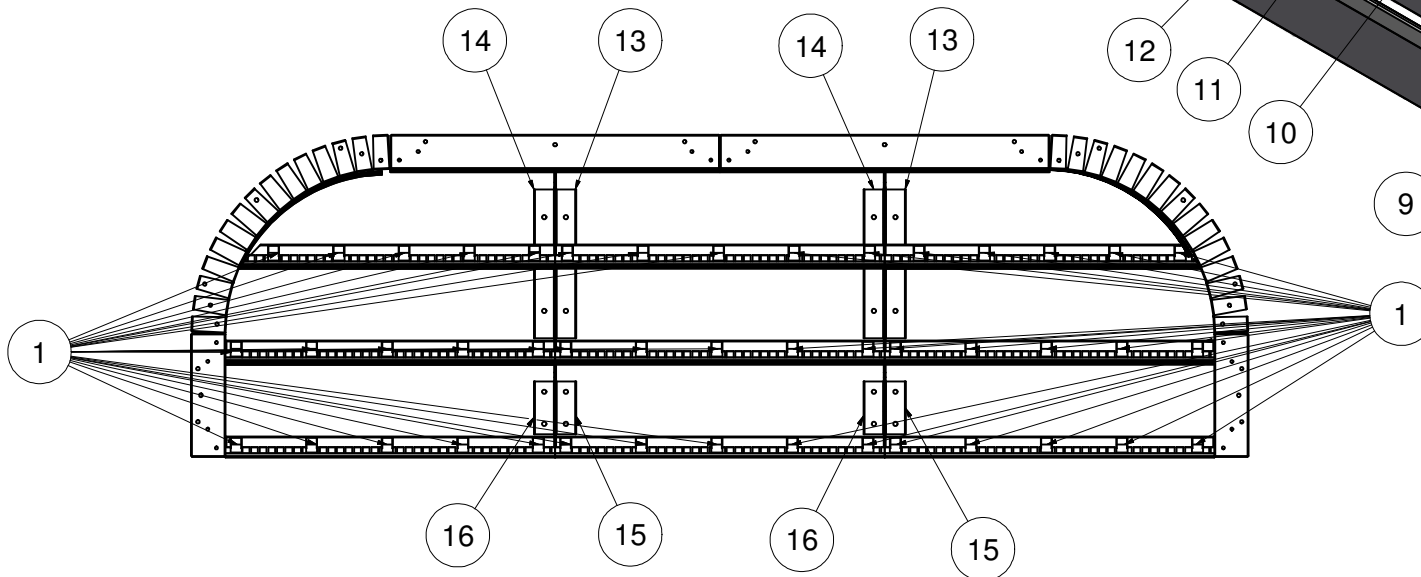
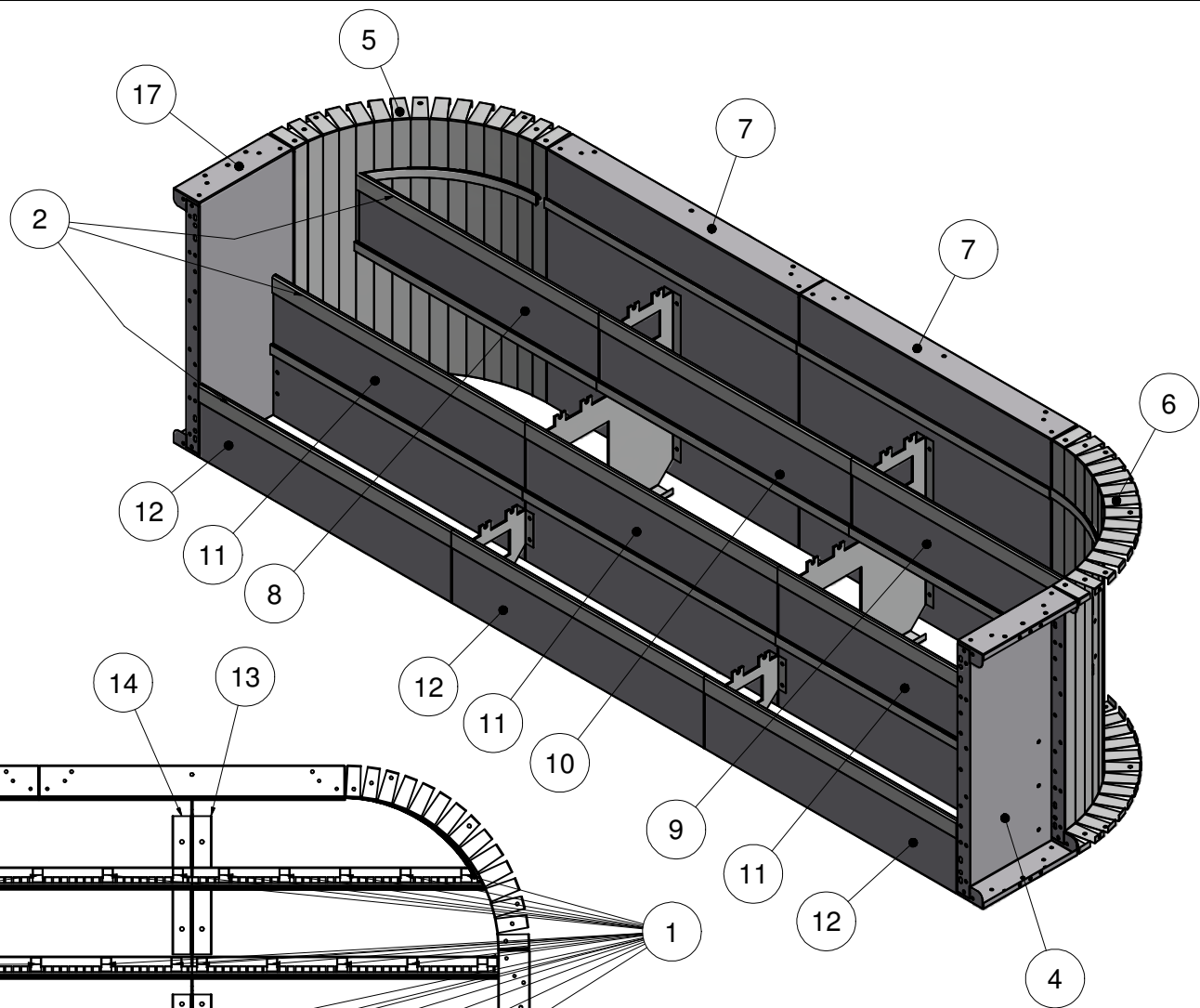


Parts List		
ITEM	QTY	PART NUMBER
1	45	COP-KCVRET-W-1
2	36'	OPC-CONREC-120
3	36'	SSC-1099
4	1	SSC-1361
5	1	SSC-1362
6	1	SSC-1363
7	2	SSC-1367
8	1	SSC-1368
9	1	SSC-1369
10	1	SSC-2311
11	3	SSC-2312
12	3	SSC-2313
13	2	SSC-2315
14	2	SSC-2316
15	2	SSC-2317
16	2	SSC-2318
17	1	SSC-2319



OT STEP 2'R CORNERS 3 TRD 12'



TOLERANCES EXCEPT AS NOTED:

0/0 0.0 0.00 0.000 0°
 ±1/8 ±0.25 ±0.0625 ±0.03125 ±1/2°

DATE : 1/12/2017

PART #: SOK-ST144STR2

SHEET : 2 OF 2

SECTION: 3 - 4