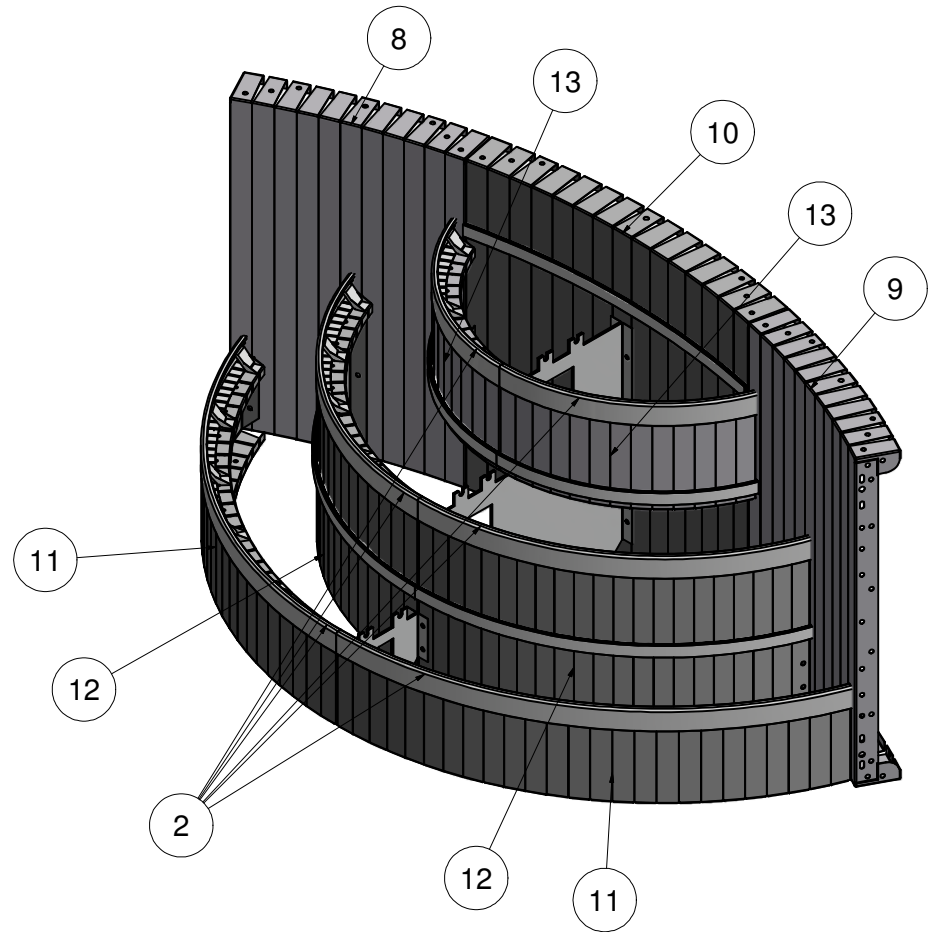
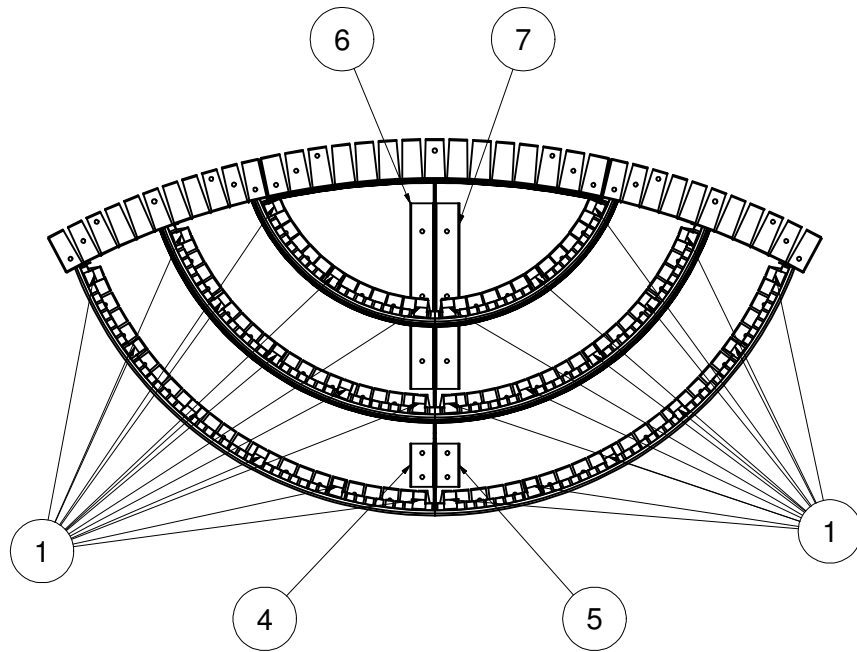


Parts List		
ITEM	QTY	PART NUMBER
1	28	COP-KCVRET-W-1
2	24'	OPC-CONREC-120
3	18'	SSC-1099
4	1	SSC-2399
5	1	SSC-2400
6	1	SSC-2647
7	1	SSC-2648
8	1	SSC-2649
9	1	SSC-2650
10	1	SSC-2651
11	2	SSC-2652
12	2	SSC-2653
13	2	SSC-2654



STEEL OPEN TOP WD CAKE 8'R



TOLERANCES EXCEPT AS NOTED:

0/0 0.0 0.00 0.000 0°
 ±1/8 ±0.25 ±0.0625 ±0.03125 ±1/2°

DATE : 1/6/2017

PART # : SOK-WC090R096

SHEET : 2 OF 2

SECTION: 10 - 2