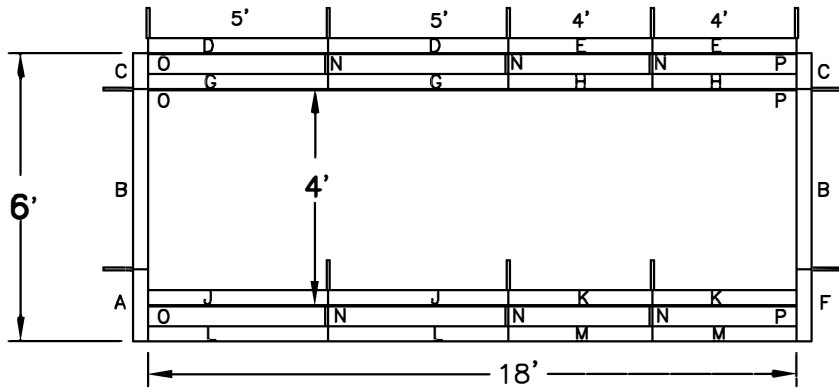




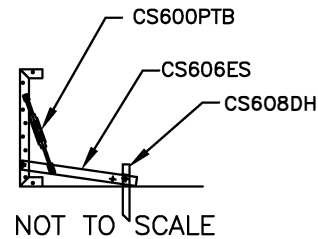
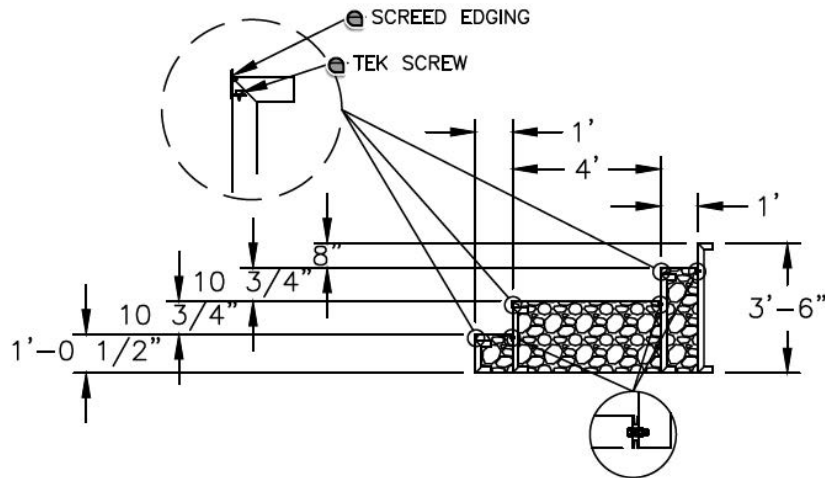
Name: 18' POURED STEP/SUNDECK W/ LINER TRACK & SCREED EDGE

Number:

250 Route 61 South, Schuylkill Haven, PA 17972 • 570-385-4733 • fax: 570-385-1318 • CustomerService@CardinalSystemsinc.com



POSITION	PART NO.	QTY.	DESCRIPTION
A	SP2678	1	2'-0" STEP PANEL
B		2	3'-0" PANEL
C	SP1651	2	1'-0" STEP PANEL
D	PT0186	2	5'-0" STEP PANEL
E	SP0108	2	4'-0" STEP PANEL
F	SP2679	1	2'-0" STEP PANEL
G	PT2256	2	5'-0" POURED TREAD (32")
H	PT1791	2	4'-0" POURED TREAD (32")
J	PT2257	2	5'-0" POURED TREAD (21 1/4")
K	PT1873	2	4'-0" POURED TREAD (21 1/4")
L	PT1887	2	5'-0" POURED TREAD (10 1/2")
M	PT1875	2	4'-0" POURED TREAD (10 1/2")
N	TS0007	6	1'-0" POURED TREAD SUPPORT
O	LT0020	6	5'-0" LINER TRACK
P	LT0005	6	4'-0" LINER TRACK
	HPSF0B	9	A-FRAME ASSEMBLY
	CS600PTB	3	TURBUCKLE
	CS606ES	3	SHORT ANGLE
	HPSSTAKE	12	DRIVE STAKE
	CS902SA	2	SQUARE CORNER ANGLE
	CS903FC	2	FOAM CORNER INSERT
	BP000TS	1	BOX OF TEK SCREWS
	SP0745-6N-3	3	BOX OF 3 - 6'-0" NOTCHED SCREED EDGE
	BP106ST	1	LARGE STEP BOLT PACK



NOTE:  
USE REBAR HOLE LOCATIONS TO PIN WALL AND STEP DECK SUPPORTS IN PLACE. THEN POUR 4"-6" OF CONCRETE AROUND THESE AREAS AND UNDER THE ASSEMBLY FOR REINFORCEMENT

FIBERGLASS ROD TOTALS:

6' LENGTHS = 1  
8' LENGTHS = 7

Drawn By: JASON S

Date: 4/7/2017

Scale: 3/16" = 1'-0"

Notes: ST002667

This information is the confidential property of Cardinal Systems, Inc. Disclosure or duplication without proper written approval is strictly prohibited. Acceptance and use of this drawing constitutes knowledge and acceptance by the user of the terms and conditions set forth in the notice and warning which accompanied this drawing is incorporated herein and made part hereof and is found on Cardinal Systems, Inc's website at www.CardinalSystemsinc.com



CardinalSystemsinc.com