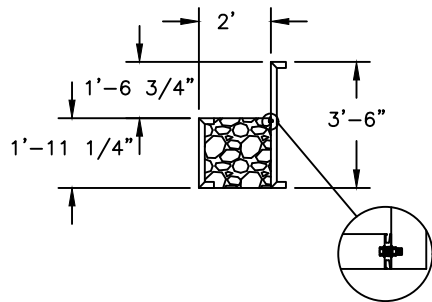
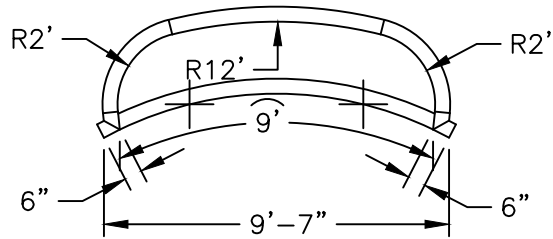




Name: 10' RADIUS POURED BENCH W/ LINER TRACK

Number: -----

250 Route 61 South, Schuylkill Haven, PA 17972 | 570-385-4733 | fax: 570-385-1318 | CustomerService@CardinalSystemsinc.com



THIS DRAWING IS FOR ILLUSTRATION ONLY. NOT TO BE USED FOR VINYL LINER ORDERING PURPOSES.

FIBERGLASS ROD TOTALS:

6' LENGTHS = ---

8' LENGTHS = ---

Drawn By: JW

Date: 8/3/16

Scale: 3/16" = 1'-0"

Notes: ST001390

This information is the confidential property of Cardinal Systems, Inc. Disclosure or duplication without proper written approval is strictly prohibited. Acceptance and use of this drawing constitutes knowledge and acceptance by the user of the terms and conditions set forth in the notice and warning which accompanied this drawing is incorporated herein and made part hereof and is found on Cardinal Systems, Inc's website at www.CardinalSystemsInc.com



CardinalSystemsInc.com