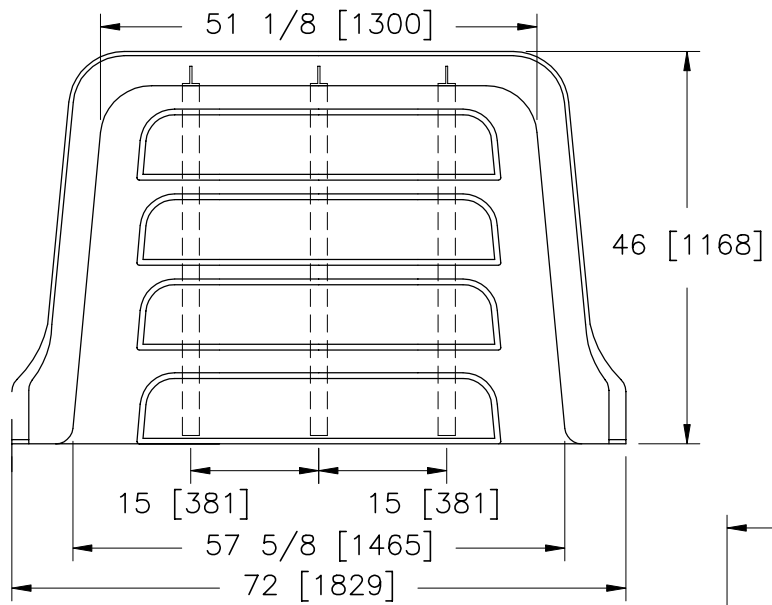


A

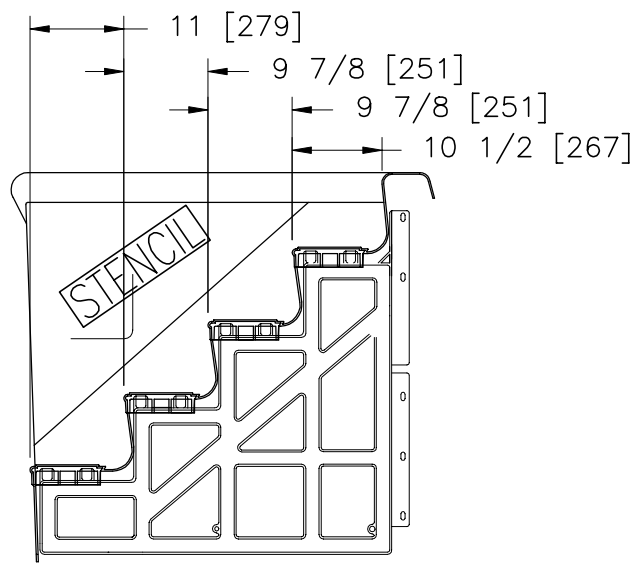
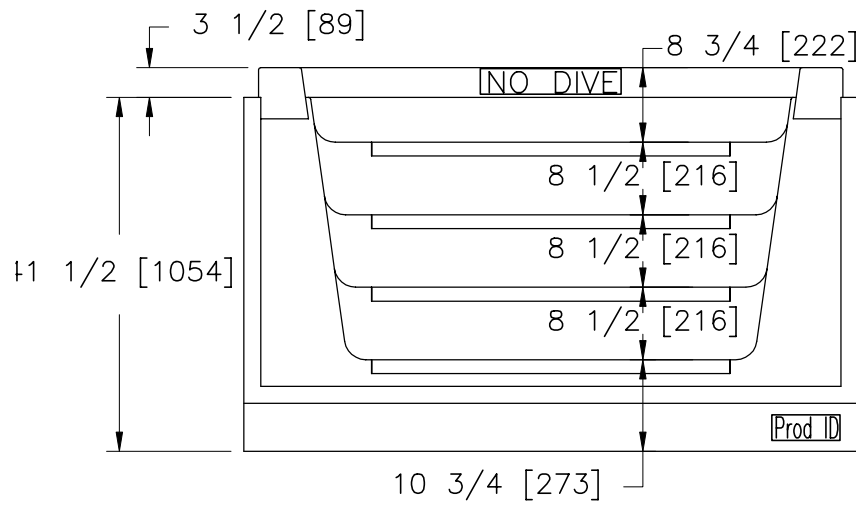
B

C

D



Dimensions shown are approximate
and are for planning only
NOTE: CENTER SUPPORT FOR THIS
STEP IS OPTIONAL



REVISIONS				
ZONE	REV	DESCRIPTION	DATE	APPROVED
SHEET	A	UPDATE DRAWING FILE	11-25-96	TL
SHEET	B	ADD METRIC DATA	11-17-00	TL
CUSTOMER: PACIFIC INDUSTRIES				
UNLESS OTHERWISE SPECIFIED: DIMENSIONS ARE IN INCHES TOLERANCES			PRODUCT: PERFORMANCE	
DECIMALS .XX ± .05			ANGULAR ± 0.5°	
.XXX ± .010			PART NAME: 6' [1.83M] STRAIGHT	
DO NOT SCALE DRAWING			A Cookson Group Company	
DRAWN	DATE	SIZE LETTER	CAT. NO. ST6018	DWG. NO. PACIFIC\STEP\6-FOOT\ST6018.DWG
CHECKED		SCALE	NO SCALE	REV B
DESIGN		PROJ. NO.		SHEET OF

CONFIDENTIAL INFORMATION

ALL MATERIAL CONTAINED HERIN IS THE EXCLUSIVE PROPERTY OF PACIFIC INDUSTRIES AND MAY NOT BE COPIED OR DUPLICATED IN ANY FORM OR USED FOR ANY COMMERCIAL PURPOSE WITHOUT THE EXPRESSED WRITTEN CONSENT OF PACIFIC INDUSTRIES.

1

2

3

4