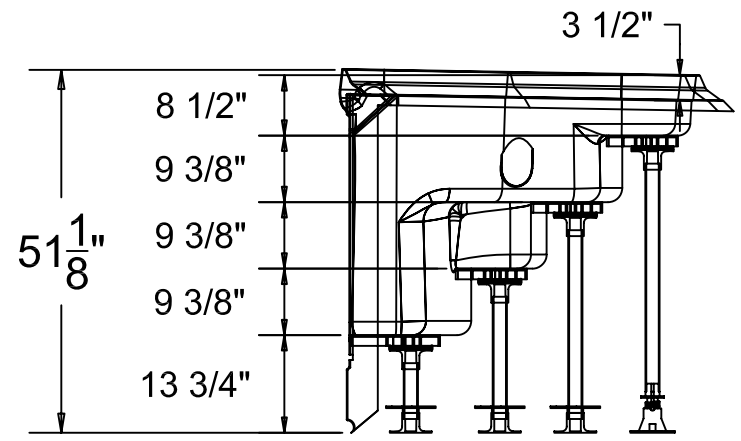


REPLACEMENT PARTS:
 -PH3001 FACEPLATE REPLACEMENT KIT
 -PH3010 FACEPLATE CORNER PROTECTOR

STEP KIT INCLUDES POLE SUPPORT:
 -(1) PK004 - 12 POLE ADJ. 48" STEP SUPPORT KIT

A handrail is recommended to be installed with every step.



Each tread must be supported.

Dimensions shown are approximate and are for planning only.

CONFIDENTIAL INFORMATION
 ALL MATERIAL CONTAINED HEREIN IS THE EXCLUSIVE PROPERTY OF LATHAM INTERNATIONAL AND MAY NOT BE COPIED OR DUPLICATED IN ANY FORM OR USED FOR ANY COMMERCIAL PURPOSE WITHOUT THE EXPRESSED WRITTEN CONSENT OF LATHAM INTERNATIONAL

THERMOPLASTIC 8' 4 TRD. STRAIGHT 48" STANDARD STEP

PART #: ST8070P	WEIGHT:	MACHINE TIME: N/A	FILE/DIRECTORY:
LATHAM INTERNATIONAL	TOLERANCES EXCEPT AS NOTED 0/0 0.0 0.00 0.000 0"	MATERIAL:	DATE: 1/01/2011
	±1/8 ±0.25 ±0.0625 ±0.03125 ±1/2"	DRAWN BY:	NOTES:
		SHEET: 1 OF 1	