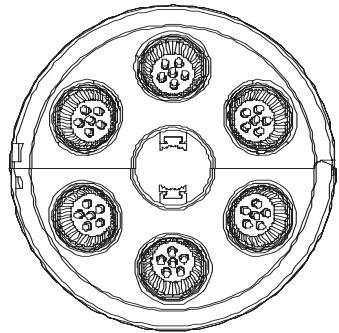
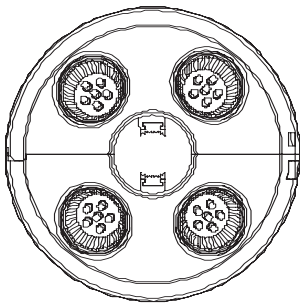


8" and 9" **Umbrella Light**

Assembly and Operation Guide



Thank you for your purchase of the 4- or 6-light rechargeable umbrella light.

Please remove all contents from the package, inspect and review checklist.

CAUTION: To reduce personal injury and damage to your umbrella light, read and follow this assembly and operation guide.

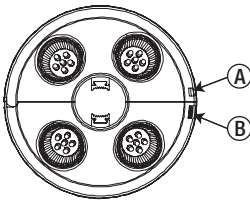
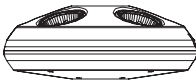
CHECKLIST

A - On/Off Button

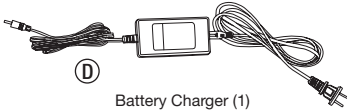
C - Battery Pack (Batteries included)

B - Clamp Release Button

D - Battery Charger



Battery Pack (1)



Battery Charger (1)

Size: 8" diameter

Available colors:

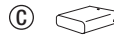
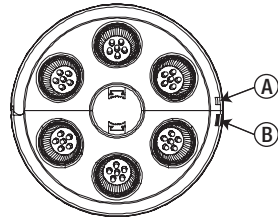
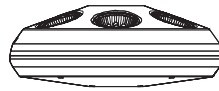
Bronze

Lights: 24 LED lights

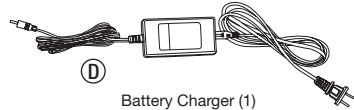
AC Charger: 110V

Charge time: 6 Hrs.

(Lights up to 6-7 hrs. with a fully charged battery.)



Battery Pack (1)



Battery Charger (1)

Size: 9" diameter

Available colors:

Bronze

Lights: 36 LED lights

AC Charger: 110V

Charge time: 6 Hrs.

(Lights up to 4-6 hrs. with a fully charged battery.)

STEP 1 Assembly

No assembly is required for the battery rechargeable light however, you must fully charge the battery prior to first use.

To OPEN the Umbrella Light:

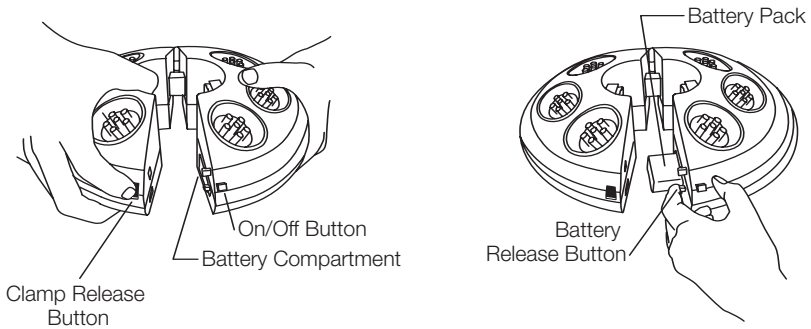
Open the umbrella light by holding firmly with one hand and then depress the clamp release button with the other hand to release the clamp lock (Fig. 1).

To CHARGE/RECHARGE the Umbrella Light:

With the umbrella light opened, slide back the battery release button to remove the battery pack from its compartment (Fig. 2). After removing the battery pack, plug the charger into the battery input (Fig. 3), then plug charger into 110V electrical outlet for 6 hours to fully charge. After battery charging is complete, gently slide battery pack back into compartment until battery pack snaps into place. NOTE: Only use the supplied battery charger, charging the light with a substitute charger may damage the battery pack or cause overheating, which could result in personal injury and/or other damages.

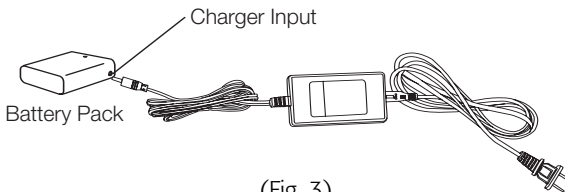
To TURN ON and TURN OFF the Umbrella Light:

Depress the On/Off button to turn on and turn off LED lights.



(Fig. 1)

(Fig. 2)

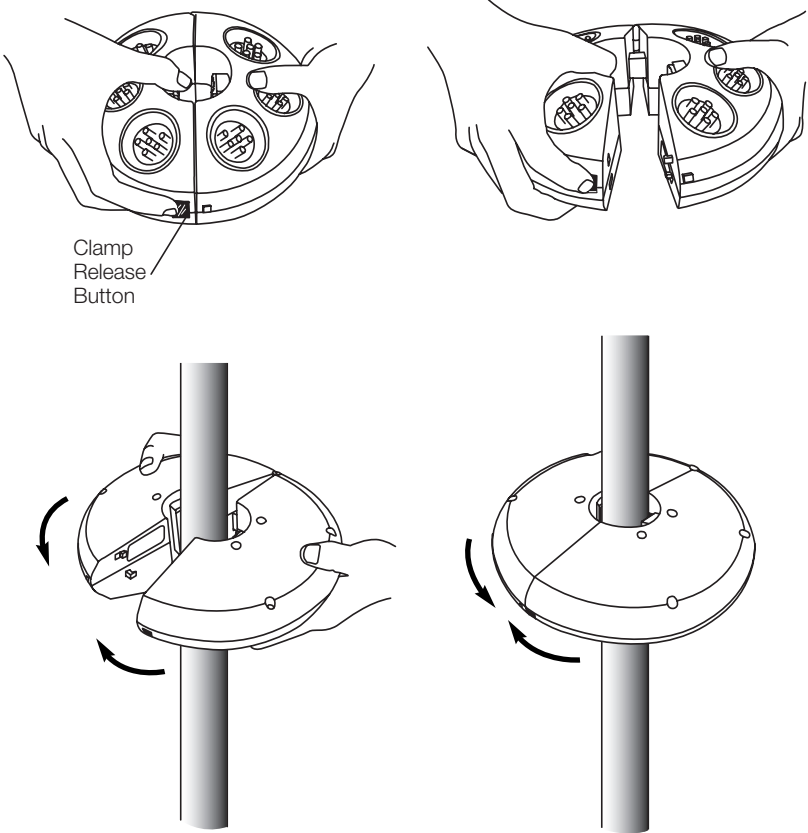


(Fig. 3)

STEP 2 Operation

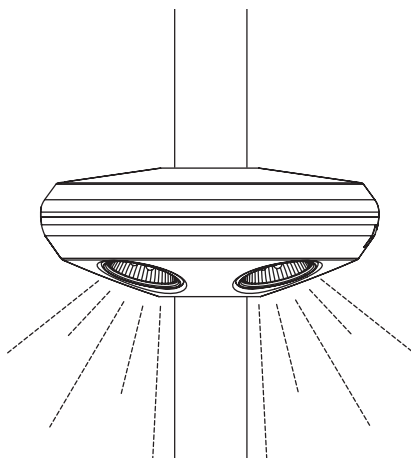
To OPEN and ATTACH the Umbrella Light to Market Umbrella:

Open the umbrella light by holding the light firmly with one hand and then depress the clamp release button with the other hand to release the clamp lock. Open up the light and clasp around the mid pole. Snap to close.



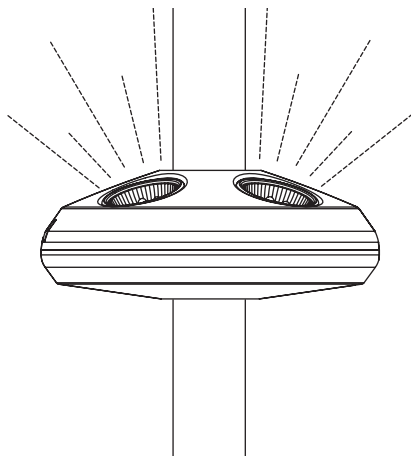
Additional Features

TWO LIGHT DISPLAY OPTIONS:



DOWNLIGHT Position:

Place the light with LED lights facing down for dining, games, and casual reading.




UPLIGHT Position:

Place the light with LED lights facing up for indirect lighting and mood setting.

Additional Features


To ATTACH Umbrella Light to Cantilever Umbrella:

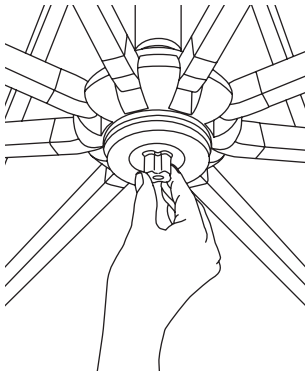
Loosen the light adapter built into the umbrella runner by turning counter-clockwise  (Fig. 4). After loosening, pull down light adapter post (Fig. 5) to attach the umbrella light (sold separately).

To OPEN and ATTACH Umbrella Light:

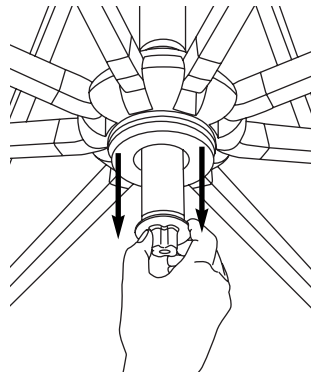
Open the umbrella light by holding firmly with one hand and then depress the clamp release button with the other hand to release the clamp lock. Open up the light and clasp around the light adapter post (Fig. 6). Snap to close (Fig. 6).

To REMOVE Umbrella Light and CLOSE adapter:

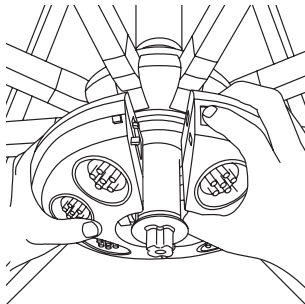
Hold the umbrella light, depress the clamp release button to release the clamp lock. Remove umbrella light, and gently push up the light adapter post back into umbrella runner and tighten turning clockwise  (Fig. 6).



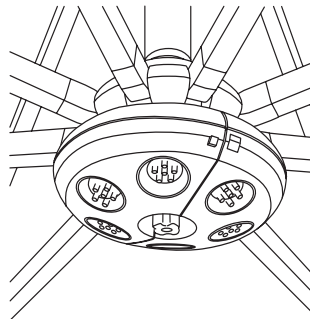
(Fig. 4)



(Fig. 5)



(Fig. 6)



(Fig. 7)

WARRANTY:

Treasure Garden warrants this product (in residential use) to be free from defects in original materials and workmanship for a period of 1 year from the date of purchase.

If a defect in the original material or workmanship appears during the warranty period; Treasure Garden will (at its option) repair or replace the product without charge.

Simply contact your original authorized Treasure Garden dealer with a description of the defect.

The dealer will verify the defect and work closely with Treasure Garden to obtain the necessary service.

In many cases, simple problems can be solved with a replacement part that can be shipped directly to the dealer for professional installation / repair.

In the event that warranted factory service is required, Treasure Garden will assume the responsibility of the return freight charges on warranted product for the first year only.

Returned product that (upon receipt and inspection) is deemed to be "not covered" under our warranty, will be shipped / billed at your expense.

This warranty gives you specific legal rights, and you may have other rights which vary from state to state.

NOTE: Failure caused by unreasonable or abusive use, or failure caused by neglect of reasonable and necessary care are not covered by this warranty.

Additionally, acts of nature (including but not limited to wind, hurricanes, tornadoes, and storms) are not covered by this warranty.

SAFETY PRECAUTIONS :

- If unit is exposed to light moisture, light to medium rain; allow unit to air dry for 24 hours before reuse.

WARNING: The umbrella light is not waterproof. If the light is immersed in a pool or spa or exposed to heavy rain the unit will be damaged and negate the 1 year warranty.