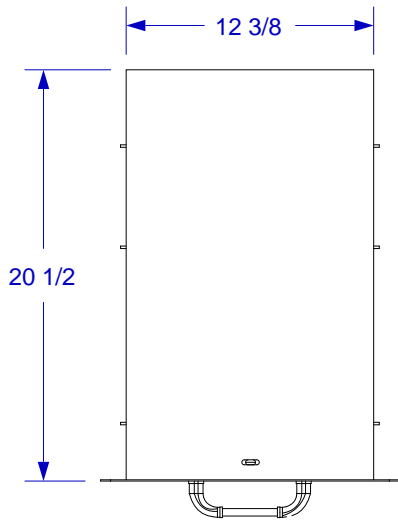


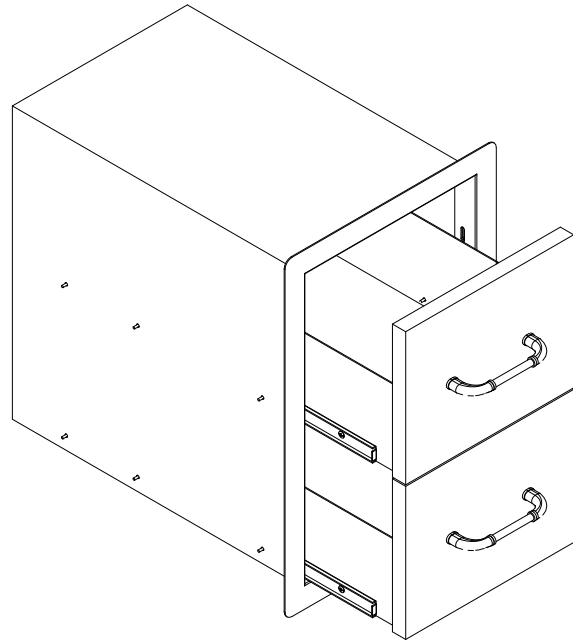


DOUBLE DRAWERS

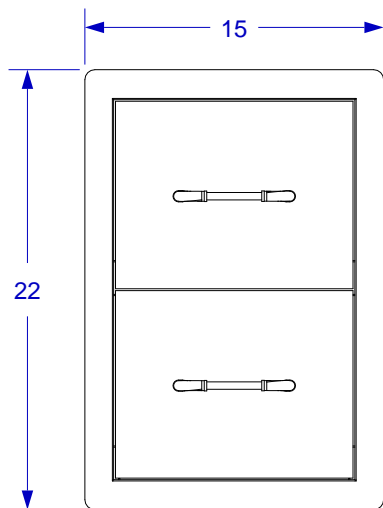
SPEC SHEET



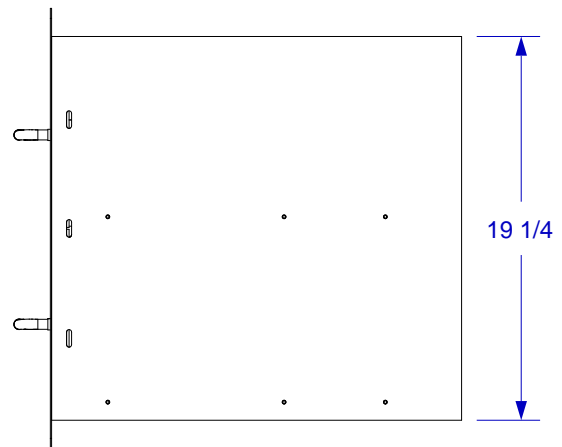
TOP VIEW



ISOMETRIC VIEW



FRONT VIEW



RIGHT SIDE VIEW

NOTES:

1. CUTOUT DIMENSIONS: 12 3/4"W X 19 1/2"H X 20 3/4"D
2. SCALE: 1 1/4" = 1'-0"
3. REVISION: 10/2014