

T7™ DIVING SYSTEM: FIBERGLASS RESIN TRANSFER MOLDED (RTM) TECHNOLOGY



FEATURES:

- Unique 7' Diving Board Can Be Installed on Type I – Type V Pools
- Durable & Long Lasting Acrylic & Fiberglass Construction with Advanced Composite Springs
- Advanced High-Tech RTM Manufacturing
- Board Fall Compatible Base
- Weight Limit = 300 lbs.
- Variety of Earth Tones & Granite Colors Available
- Suitable for Use With Salt Systems
- *Matching Products:* The T7 Diving System™, Pool/Spa Table™, Pool/Spa Seat™, and Tanning Ledge Tables™ are designed to match the Landscape Slide products perfectly for a complete designer pool look.

Part # T7 DB (7' T7 Diving Board)
 Part # T7-NBASE (T7 Base & Jig)
 Part # T7-NSPRING (T7 Springs)
 See page 133 for paver jig info.



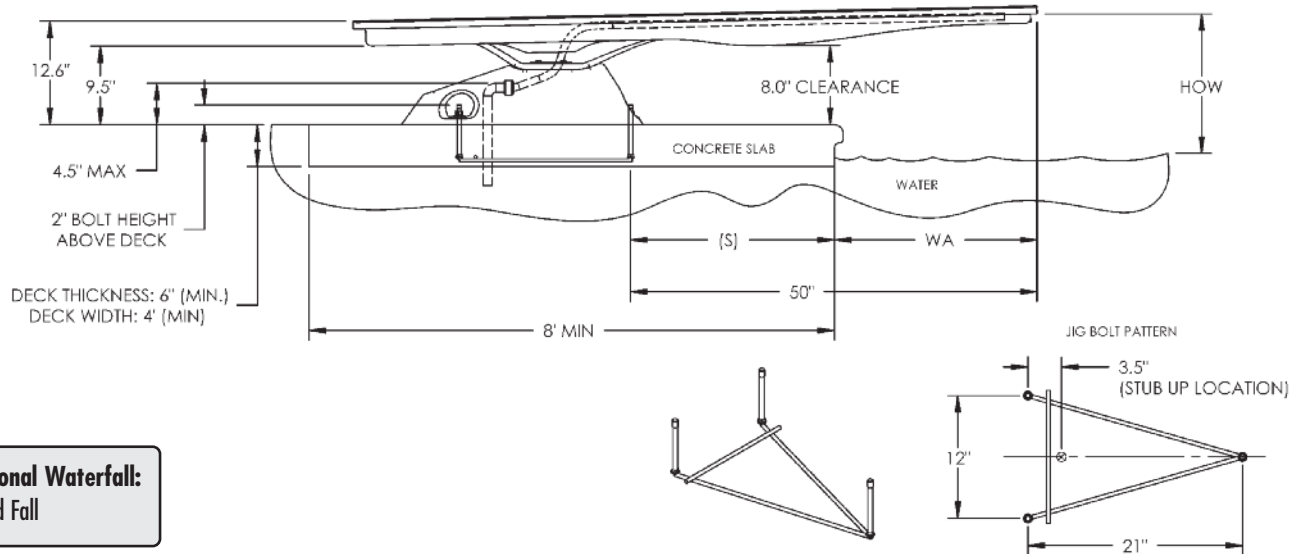
NOTE: Available as Complete Kits

Compatible with Epoxy Mounting Kit Part # EPX-5

T7 COLORS AVAILABLE:

Tan: -51; Gray: -52; Summit Gray: -53; Mont Blanc: -54; Pebble: -55;
 Fashion Gray: -56; Cappuccino: -57; Autumn Sun: -58; Safari Sunrise: -59;
 Starry Night: -60; and Seashell: -61

(add custom color code behind board/base part #)



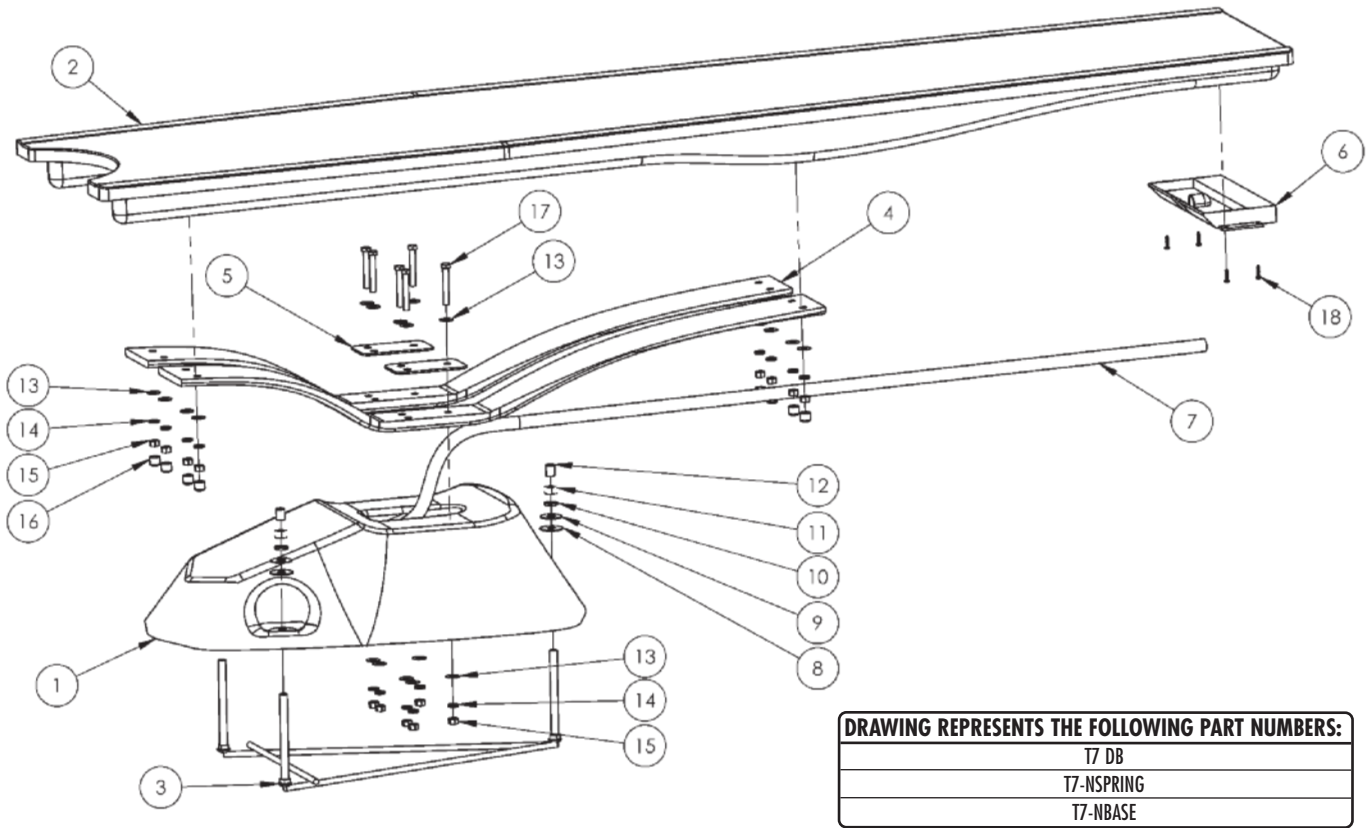
**Optional Waterfall:
Board Fall**

T7 DIVE STAND	NOMINAL BOARD LENGTH	ANSI/ POOL TYPE	DISTANCE FROM WATER'S EDGE TO FORWARD JIG BOLT (S) *	DISTANCE FROM WATER END OF BOARD TO FORWARD JIG BOLT	MIN. OVERHANG POINT A TO POINT W **	MAX HEIGHT OF BOARD OVER WATER (HOW)
ONLY T7 DIVING BOARD CAN BE UTILIZED ON T7 DIVE STAND	7' T7 ONLY	I	31"	50"	18"	20"
	7' T7 ONLY	II	31"	50"	18"	20"
	7' T7 ONLY	III	25"	50"	24"	26"
	7' T7 ONLY	IV	19"	50"	30"	30"
	7' T7 ONLY	V	13"	50"	36"	40"

MUST BE INSTALLED ON TYPE I POOL OR GREATER

IMPORTANT: THESE DIMENSIONS ARE ACCURATE ONLY FOR VERTICAL POOL WALLS, **TYPICALLY GUNITE CONSTRUCTION**, WITH LESS THAN A 3' RADIUS TO THE POOL FLOOR. DUE TO THE VARYING SIZES OF VINYL LINER CONSTRUCTION, IF YOU REQUIRE A JIG PLACEMENT, PLEASE REACH OUT TO OUR CUSTOMER SERVICE TEAM **AT LEAST 24 HOURS PRIOR TO INSTALLATION**. WE REQUIRE THE DRAWING, SIDE VIEW OF POOL, AND WHICH DIVING SYSTEM YOU WILL BE INSTALLING. EMAIL INFORMATION TO **CUSTOMERSERVICE@INTER-FAB.COM**

T7 DIVING SYSTEM (T7 DB, T7-NBASE, T7-NSPRING):



DRAWING REPRESENTS THE FOLLOWING PART NUMBERS:

T7 DB
T7-NSPRING
T7-NBASE

ITEM #	COMPONENT	DESCRIPTION	KITS - QTY. COUNTS			
			T7-NBK	T7-102-SS	EDGE-SP	T-7
1*	T7-NBASE-(color code)	NO STEP T7 BASE				1
2	T7-DB-(color code)	7' T7 DIVING BOARD				1
3	T7-NJIG	3 BOLT T7 NO STEP BASE JIG				1
4	T7-NSPRING-(color)	T7 NBASE SPRINGS (pair)				1
5	SPRING PAD (factory installed)	T7 NSPRING PAD				2
6**	BOARD FALL	OPTIONAL WATERFALL ASSEMBLY				1
7**	H-1/2 SPA HOSE	1/2" PVC FLEX SPA HOSE GRAY				1
8	H-1/2 NYLON WAS	1/2" FLAT NYLON WASHER	3			
9	H-SS 1/2 F WAS	1/2" SS FLAT WASHER	3			
10	H-SS 1/2 LOC WA	1/2" SS LOCK WASHER	3			
11	H-SS 1/2 H NUT	1/2" SS HEX NUT	3			
12	H-1-1/2 WHT CAP	.750 X 1-1/2 WHITE UV NUT CAP	3			
13	H-SS 3/8 FLT WA	3/8" SS FLAT WASHER		8	12	
14	H-SS 3/8 LOC WA	3/8" SS LOCK WASHER		8	6	
15	H-SS 3/8 F NUT	3/8" SS FINISH HEX NUT		8		
16	H-.562 X .390 CAP	.553 X 1/2" GRAY PROTECTIVE CAP		8		
17	H-SS 3/8 X 2-1/2	3/8"-16 X 2-1/2" HEX HEAD BOLT SS			6	
18**	H-SS #8 X 3/4	SS 8 X 3/4" PAN HEAD PHILLIPS SCREW				4
19*	H-SS 3/8 NYLON	3/8" NYLON INSERT LOCK NUT			6	
20*	H-ANTI-SEIZE	PACKET OF ANTI SEIZE LUBRICANT (NOT SHOWN)		1	1	

* not pictured

** optional waterfall feature

NOTES:

Part #T7-NBASE comes WITH jig (#3).

The T7 diving board, base, and jigs must be used together and cannot be used separately in any other configuration.

Protective Caps for bolts available in White only.

Check your local electrical code for bonding requirements.