



*E-Z Vac*®

The world's best built aboveground pool cleaner!



## Installation and User's Guide

IMPORTANT SAFETY INSTRUCTIONS  
*READ AND FOLLOW ALL INSTRUCTIONS*  
SAVE THESE INSTRUCTIONS



# Customer Service

If you have questions about ordering Pentair Water Pool and Spa® (“Pentair”) replacement parts, and pool products, please use the following contact information:

## **Customer Service/Technical Support** (8 A.M. to 4:30 P.M. — Eastern and Pacific Times)

Phone: (800) 831-7133

Fax: (800) 284-4151

## **Sanford, North Carolina** (8 A.M. to 4:30 P.M. — Eastern Time)

Phone: (919) 566-8000

Fax: (919) 566-8920

## **Moorpark, California** (8 A.M. to 4:30 P.M. — Pacific Time)

Phone: (805) 553-5000

Fax: (805) 553-5515

## **Web site**

visit [www.pentairpool.com](http://www.pentairpool.com) or [www.staritepool.com](http://www.staritepool.com) to find information about Pentair products

© 2011 Pentair Water Pool and Spa, Inc. All rights reserved.

This document is subject to change without notice.

1620 Hawkins Ave., Sanford, NC 27330 • (800) 831-7133 • (919) 566-8000

10951 West Los Angeles Ave., Moorpark, CA 93021 • (800) 831-7133 • (805) 553-5000

**Trademarks and Disclaimers:** E-Z Vac®, Kreepy Krauly® and Pentair Water Pool and Spa® are trademarks and/or registered trademarks of Pentair Water Pool and Spa, Inc. and/or its affiliated companies in the United States and/or other countries. Unless noted, names and brands of others that may be used in this document are not used to indicate an affiliation or endorsement between the proprietors of these names and brands and Pentair Water Pool and Spa, Inc. Those names and brands may be the trademarks or registered trademarks of those parties or others.

# IMPORTANT WARNING AND SAFETY INSTRUCTIONS



## Important Notice:

**Attention Installer:** This guide contains important information about the installation, operation and safe use of this product. This information should be given to the owner and/or operator of this equipment after installation of the pool cleaner.

**Attention User:** This manual contains important information that will help you in operating and maintaining this pool cleaner. Please retain it for future reference. Consult Pentair with any questions regarding this equipment.

**⚠ WARNING** — Before installing this product, read and follow all warning notices and instructions which are included. Failure to follow safety warnings and instructions can result in severe injury, death, or property damage. Call (800) 831-7133 for additional free copies of these instructions.

## Consumer Information and Safety

The E-Z Vac® pool cleaners are designed and manufactured to provide many years of safe and reliable service when installed, operated and maintained according to the information in this manual. Throughout the manual, safety warnings and cautions are identified by the “⚠” symbol. Be sure to read and comply with all of the warnings and cautions.

**⚠ WARNING** — **Hazardous suction.** Do not play with cleaner or hose or apply to body. Can trap and tear hair or body parts. Hose can trip or entangle swimmers which could result in drowning.



**⚠ WARNING** — **Suction entrapment, injury, and drowning hazard.** If your pool has a dedicated suction port (“vac port”) for vacuuming or for an automatic pool cleaner, it **must be covered when not in use**. A spring loaded safety cover (a “vac port fitting”) is included with your cleaner. Install it on the suction port to prevent entrapment and injury. If the cover provided does not fit, purchase one that does from your local pool store and install it instead. The cover should conform to IAPMO SPS4-99A.



**⚠ WARNING** — **Stop pump** before attempting to clean unit. Do not allow swimmers in pool while pool cleaner is operating.

**⚠ WARNING** — To reduce the risk of injury, do not let children use or play with pool cleaner.

**⚠ WARNING** — Do not allow swimmers in the pool while pool cleaner is operating. Hose can trip or entangle swimmers which could result in drowning.

# GENERAL INSTALLATION INFORMATION

## Pre-installation check list

Before installing your cleaner, review and understand all warnings and safety information in this guide. Failure to follow these instructions or improper installation of the cleaner can result in damage to the pool finish or the vinyl liner, Pentair Water Pool and Spa, Inc. disclaims any liability for repairs or replacement to any of these structures or components of the customer's pool.

### **Before installing the cleaner in a vinyl liner pool:**

Check liner closely for signs of deterioration or damage from age, chemicals, pool wall damage, etc. If any damage is found, have a qualified pool professional make all the necessary repairs. Also, if there are stones, roots, etc., under the liner, remove them before installing the cleaner.

### **Before installing the cleaner in a gunite pool or a pool that is partially or completely tiled:**

Repair loose tiles and tighten any loose light rings.

### **Before installing the cleaner, clean your filter system:**

Make sure you have cleaned the filter, including backwashing, rinsing, and emptying all baskets. A clean system is necessary for proper cleaner operation and coverage.

### **Before installing the cleaner, fill the hose with water:**

Always make sure the cleaner head is submerged and the hose is full of water before connecting the hose to the filtration system (whether through a skimmer or dedicated wall fitting). Air in the system can damage the pump through dry running and overheating.

### **Before installing the cleaner, understand cleaner coverage:**

The cleaner is designed to rid your pool of debris in approximately 4-6 hours. Less time could be needed, depending on the pool size. The cleaner was not designed to automatically clean steps or swimouts or to work under a solar cover. It was also not designed to do initial cleanup for a new pool or when opening your pool for the season.

### **AFTER installing the cleaner, make sure the cleaner is operating correctly :**

The cleaner may need some minor adjustments to make sure it is operating properly so there is no damage to the pool finish. Certain vinyl liner patterns are particularly susceptible to surface wear, pattern removal, ink rubbing off of, or serious scratches to the pattern caused by objects coming into contact with the vinyl surface, including automatic pool cleaners. Pentair Water Pool and Spa, Inc. is not responsible for any pattern removal, abrasions or markings on vinyl liners.

# WARRANTY INFORMATION

## Limited Warranty Terms & Conditions

Before installing your cleaner, review and understand all warnings, safety and warranty information in this guide. Failure to follow these instructions or improper installation of the cleaner can result in damage to the pool finish or the vinyl liner, Pentair Water Pool and Spa, Inc. disclaims any liability for repairs or replacement to any of these structures or components of the customer's pool.

The Cleaner manufacturer, Pentair Water Pool and Spa, Inc. ("Manufacturer"), hereby provides the following limited warranty to the purchaser ("Customer"): WHICH IS SUBJECT ONLY TO THE FOLLOWING CONDITIONS AND EXCLUSIONS:

This limited warranty does not include replacement of parts which become discolored due to exposure to sunlight or chemicals, or parts which, even if worn, do not affect performance of the cleaner. Nicks, scratches, fading, discoloration, etc. are cosmetic conditions that do not affect mechanical performance. **Both Manufacturer and Pentair Water Pool and Spa's dealer reserve the right to deny any and all warranty claims made for worn parts if the wear does not negatively affect mechanical performance of the cleaner.**

The Cleaner is designed to function in a properly designed, constructed and maintained pool. This limited warranty does not extend in the circumstances where the pool's design, construction or maintenance is defective, substandard or inappropriate for the Cleaner's operation.

Deterioration, discoloration or brittleness of any pool finish can be caused over time separately by, or in combination with, age, an imbalance in water chemistry, improper installation, and other factors. Customer hereby disclaims any and all claims, and releases Manufacturer from any and all claims for damages to any pool plaster or vinyl liner in Customer's pool by reason of the use and/or operation of the Cleaner.

Under no circumstances shall Manufacturer be liable for any loss or damage, whether direct, consequential or incidental, arising out of the use or inability to use the Cleaner or the Hose in Customer's pool.

This limited warranty does not apply to any injury, loss, damage, defect, or malfunction of the Cleaner or failure to function resulting from any failure to operate or maintain the Cleaner in accordance with the directions contained in the Installation and Operation Manual or operating instructions provided by Pentair Water Pool and Spa® or any injury, loss, damage, defect, or malfunction, or failure to function resulting from any accident, acts of God, alterations in the Cleaner by anyone other than Manufacturer; or misuse, unreasonable use, tampering, abuse, acts, omissions, failure or negligence by anyone other than Manufacturer including but not limited to such damages or injuries to parts resulting from improper installation, or damage to pump parts resulting from running the pump dry (e.g., interruption in or inadequate supply of water to internal pump parts due to loss of prime, or obstruction in lines or otherwise); or damage, defect or malfunction resulting from defects in, failure or malfunction of, or negligence, abuse, or misuse with respect to equipment other than the Cleaner; or any damage or loss of any nature whatsoever and personal injury caused due to the presence of a foreign object in or about the pool.

## Disclaimer of Liability - About Your Pool and E-Z Vac®

There are a multitude of factors that contribute to the life of your pool. The E-Z Vac® automatic pool cleaner is a very passive product that will have no impact on pool life.

Please be aware that over time, deterioration, discoloration and brittleness of any pool finish can be caused separately by, or in combination with, age, an imbalance in pool water chemistry, improper installation and other factors. An automatic pool cleaner, such as E-Z Vac®, will not remove or cause wear on "good" pool plaster. In fact, the opposite is true—pool plaster will eventually cause wear on the cleaner.

The same situation holds true for vinyl-lined in-ground swimming pools, because vinyl liners are also affected by the environment and factors such as pool water chemistry, sunlight and the pool's surroundings. Therefore over time, vinyl can become brittle and weak. In addition, vinyl-lined pools are affected by the workmanship, composition and installation of the liner and the workmanship and quality of construction of the supporting walls and pool base. These are all factors which can contribute to liner failure. The existence of any of these type of conditions in your pool is not caused by the use or operation of E-Z Vac®. The manufacturer disclaims any liability for repairs or replacement to any of these structures or components of the customer's pool.

The pool owner must assume all responsibility for the condition and maintenance of the pool's surface, water and deck.

# Welcome

Congratulations on the purchase of your new E-Z Vac<sup>®</sup>, the aboveground pool cleaner from Pentair Water Pool and Spa<sup>®</sup>. You'll soon see that E-Z Vac<sup>®</sup> *really is* the easy way to keep your aboveground pool clean. First, however, you'll have to install E-Z Vac<sup>®</sup> and perhaps make some minor adjustments. This manual covers the steps needed to install and adjust E-Z Vac<sup>®</sup>.

## Contents

Important Warning and Safety Instructions .....	3
General Installation Information .....	4
Warranty Information .....	5
I. Pool Requirements .....	7
II. Pool Preparation .....	7
III. Assembly .....	7
IV. Installation .....	9
V. Adjustment .....	10
VI. Troubleshooting .....	12
VII. Maintenance .....	14
VIII. Customer Service .....	14
IX. Parts & Accessories .....	15

Before you begin to install E-Z Vac<sup>®</sup> in your pool, please record the serial number of your E-Z Vac<sup>®</sup> in the space below. This way, if you need to refer to the serial number in the future, it will be readily available. The diagram on page 3 shows where E-Z Vac's serial number is located.

E-Z Vac<sup>®</sup> Serial Number: \_\_\_\_\_

### Activate E-Z Vac's Warranty

You will also need to record the serial number on E-Z Vac's warranty registration card. Complete and return the card to activate E-Z Vac's limited warranty. The registration card is self-addressed and post-age-paid for your convenience. Please thoroughly review the warranty card and additional warranty information in this Installation and Operation Manual so you are familiar with the terms of your warranty coverage.

### Toll-Free Customer Helpline

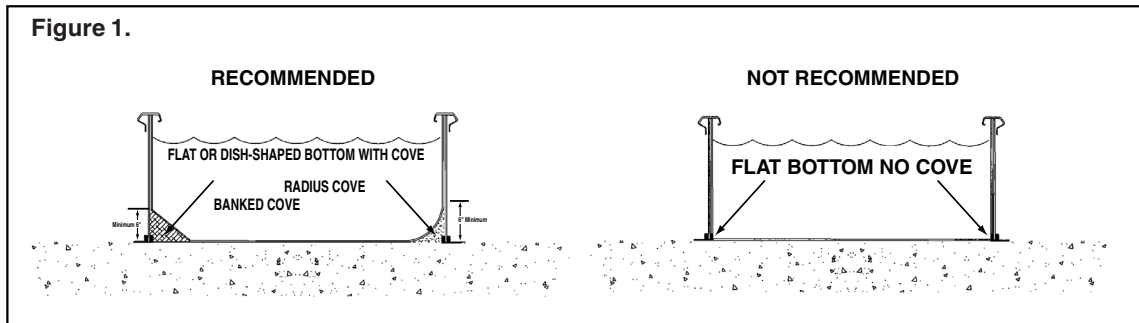
If you have questions about your E-Z Vac<sup>®</sup>, check the instructions in this manual first. **If you still have a question, call your Pentair Water Pool and Spa<sup>®</sup> dealer or call our Toll-Free Customer Helpline at 800-831-7133.** Please have your E-Z Vac<sup>®</sup> serial number ready when you call.

### Warranty Note

Cleaners purchased in the United States of America from entities outside the United States do not qualify for any United States programs including warranty, trade-in, or rebate programs.

## I. Pool Requirements

- E-Z Vac<sup>®</sup> **is recommended** for use in pools that have a cove\* height of at least 6 inches. Pool covers less than 6 inches may inhibit the cleaner's operation.
- \* The pool "cove" is the embankment between the pool wall and floor. It is generally constructed with either a banked or radius shape as shown in Figure 1.
- E-Z Vac<sup>®</sup> **is not recommended** for use in pools with no cove (with a 90° floor-to-wall angle). The absence of a cove may affect the cleaner's operation by inhibiting its random-pattern coverage.



## II. Preparation Of Your Pool

Before assembling and installing your E-Z Vac<sup>®</sup>, your pool should be clean and algae-free so as not to inhibit the cleaner's traction. If necessary, make the following preparations before proceeding:

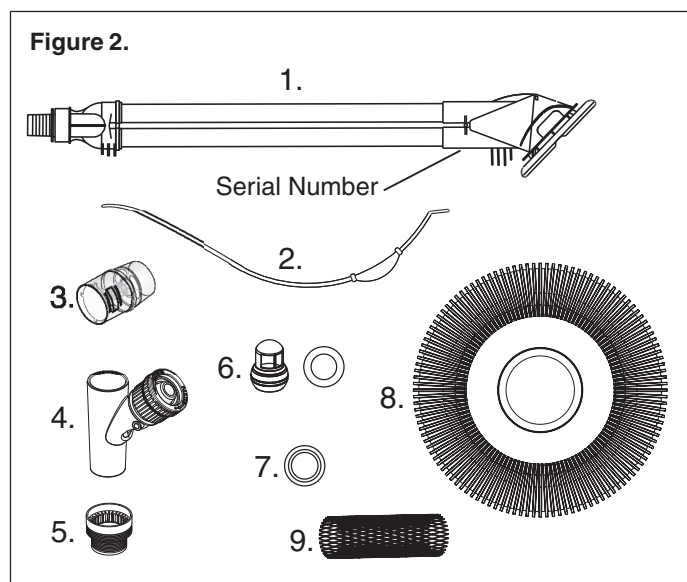
1. Chemically balance the pool water.
2. Brush pool and let the debris settle.
3. Hand vacuum thoroughly.
4. Clean filter and pump strainer basket.

## III. Assembly

Remove E-Z Vac<sup>®</sup> and all of its parts from the box and check to make sure that all components were included. Refer to Figure 2.

### Components Check List

1. E-Z Vac<sup>®</sup>
2. Weighted Bumper Strap
3. Flow Indicator
4. Vacuum Regulator Valve
5. Threaded Compression Adapter
6. Eyeball Diverter & Outer Ring
7. Hose Weight
8. Aboveground Seal
9. Hose Protector
10. Hose - 32 ft. total length (not shown)

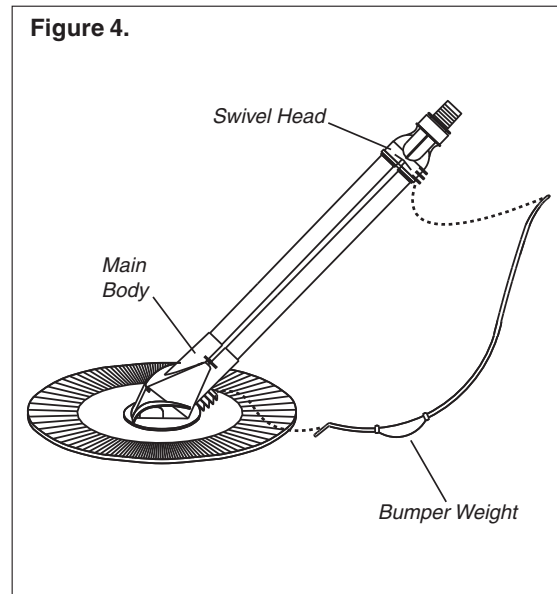
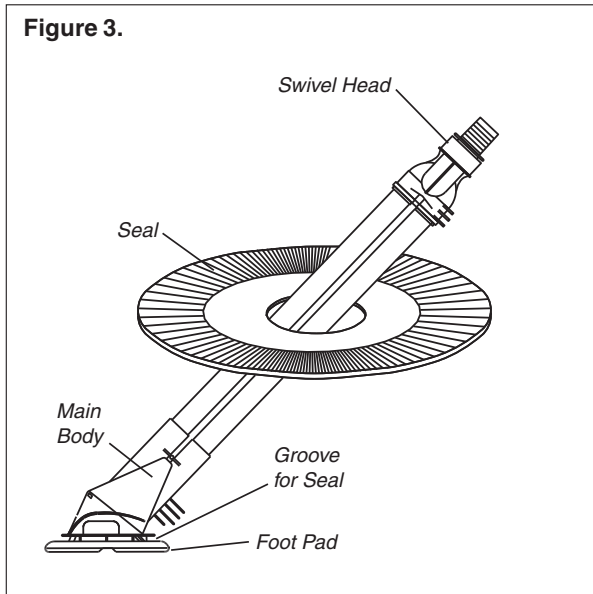


### Step 1. Attach The Seal

Slide the Aboveground Seal over the top of the swivel head and down over the main body as illustrated in Figure 3. The seal should seat in the groove just above the footpad. Once in place, the seal should rotate and turn freely.

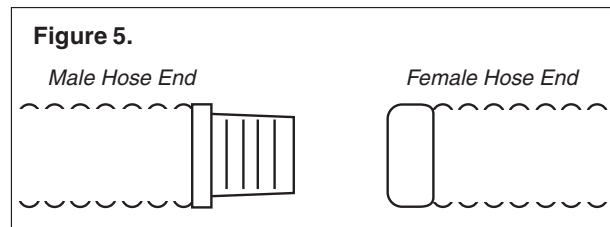
### Step 2. Attach The Bumper Strap

Insert the bottom end of the bumper strap (end closest to the bumper weight) into the slot provided on the main body. Insert the top end of the bumper into the slot provided in the swivel head, see Figure 4.

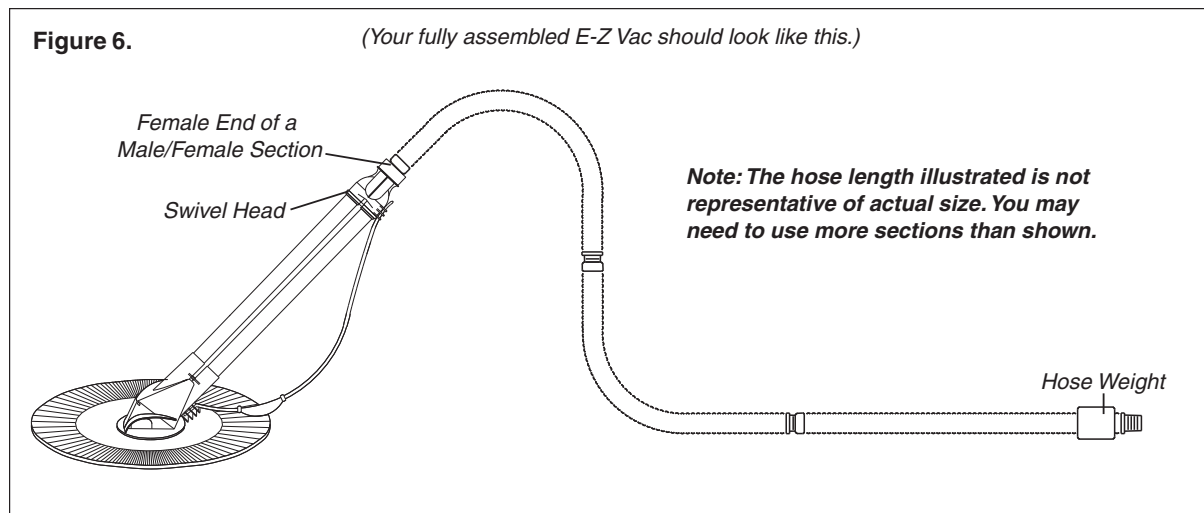


### Step 3. Attach The Hose Weight And Assemble The Hose

E-Z Vac's Hose comes in sections which must be assembled. You will also have to attach one hose weight to the end of the third hose section, see Figure 6 on page 9.



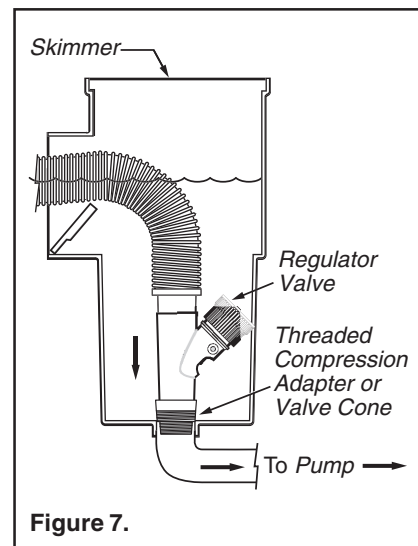
Begin by attaching the female end of a male/female hose section to the swivel head of your E-Z Vac<sup>®</sup>, see Figure 6. Connect two more male/female hose sections to the first section. Then install the hose weight near the male end of the third hose section as shown in Figure 6. Finally, assemble the complete hose, ending with the male/female section. To ease the assembly of the hose, dampen the hose ends with water as you assemble them together.



## IV. Installation

### Standard Installation

1. **IMPORTANT: Turn the pool pump off before proceeding with this step.** Make sure all other suction lines, including the main drain (if your pool *has* a main drain), are closed – EXCEPT for the suction line from the skimmer.
2. Remove the skimmer basket and thread the threaded compression adapter down into the suction line located in the bottom of the skimmer. **NOTE: Use two wraps of Telfon<sup>®</sup> tape around threads to ensure easy removal.** If the skimmer is not threaded then use the optional valve cone GW9015 or K12041 available at your Pentair Dealer. (K12041 for small skimmer openings.)
3. Press the vacuum regulator valve down into the valve cone until snug. See Figure 7.
4. Place the E-Z Vac<sup>®</sup> into the pool, with the hose attached and allow it to sink to the pool floor. Continue to feed the hose vertically down into the pool to fill it with water and purge the air.
5. Bring the end of the hose through the skimmer opening and push it onto the regulator valve, as shown in Figure 7. Ensure that all connections are snug. In some cases, it may be necessary to bring the hose through the top of the skimmer, instead of through the skimmer opening, to connect it to the automatic regulator valve. Installing the hose through the top of the skimmer can help to avoid a sharp bend or “kink” in the hose, which may affect the cleaner’s performance.



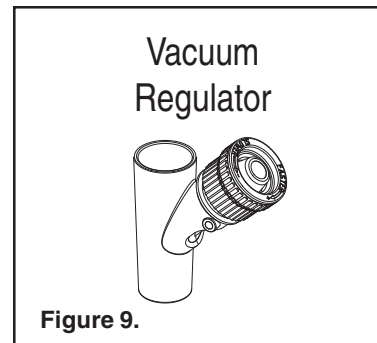
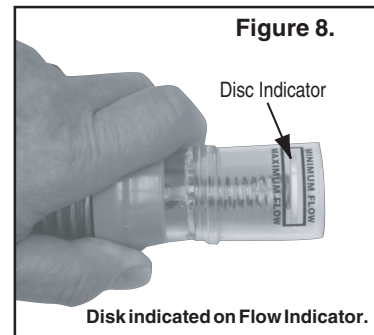
Vacuum regulator installed in the skimmer with the hose attached.

## Adjust Flow

1. With the main drain closed, and one end of the hose attached to the vacuum regulator installed in the skimmer, while keeping the hose under water, remove the cleaner and insert the flow indicator into the end of the hose.
2. Keep the hose and flow indicator underwater.
3. Turn on the pump. With the pump running, adjust the vacuum regulator (in your skimmer) until the disk on the flow indicator is between minimum and maximum flow, see Figure 8.
4. Use the vacuum regulator in conjunction with your pool cleaner system at all times. The vacuum regulator has an adjustment knob, see Figure 9. If suction is too high, the knob is turned counterclockwise to decrease the suction. If the suction is too low, the knob is turned clockwise to increase the suction.

**NOTE: The flow indicator is calibrated for use with the “Y” shaped vacuum regulator valve. The flow indicator will not indicate the correct flow for the cleaner if you are not using the “Y” shaped vacuum regulator valve.**

5. Remove the flow indicator from the end of the hose and attach the hose to the cleaner’s swivel, see Figure 6 on page 9.



### Too much Vacuum/Flow?

You have too much vacuum if the cleaner sticks to the pool bottom or moves slightly or not at all or if the cleaner climbs up the pool wall past the water line to the point that the cleaner sucks air and the pump loses prime. Frequent loss of prime will damage the pump. To correct this, adjust the regulator by turning the adjustment knob counterclockwise. This will decrease the suction.

### Not enough Vacuum/Flow?

You don't have enough vacuum if the cleaner moves sluggishly, or not at all. Be sure the filter system is clean and the vacuum regulator and all valves are adjusted to give you maximum vacuum. If the cleaner is still not moving, your pump may not be strong enough to operate the cleaner. Please refer to the “*Troubleshooting Section*” on page 12.

## V. Adjustments

After completing the installation, **turn the pool pump on**. Allow the pump to run for a couple of minutes to allow air to cycle out of the system. E-Z Vac<sup>®</sup> should be moving about the pool at a rate of 8 to 12 feet per minute. Check each of the following initial adjustments to E-Z Vac<sup>®</sup> at this time.

### Hose Length

**IMPORTANT:** The pump must be on when you check the hose length. The hose contracts when the pump is operating and will look longer when the pump is off.

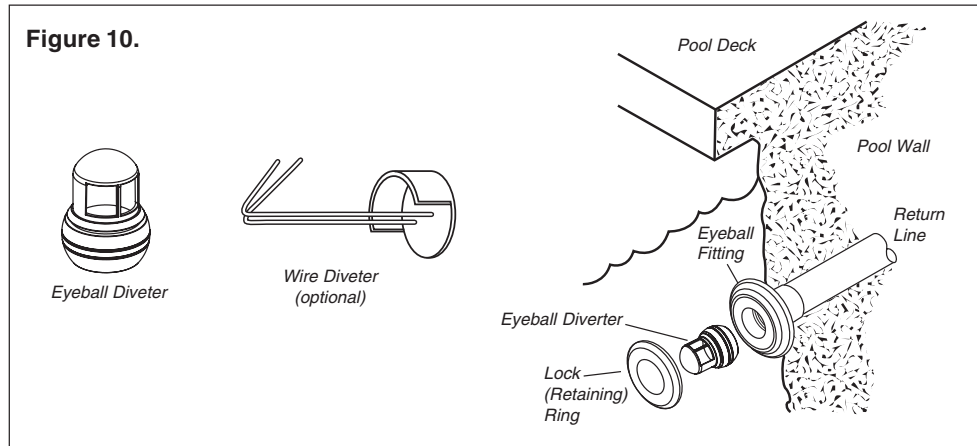
Position the E-Z Vac<sup>®</sup> at the furthest point of the pool from the skimmer. (It is easy to position E-Z Vac<sup>®</sup> in the pool by moving it about with your pool pole and brush.) E-Z Vac's hose should be long enough to reach to the end of the pool, plus one hose section. If necessary, remove extra hose sections from the center portion of hose. Removing center hose sections avoids having to disturb the hose weight placement. Save extra hose sections for use as needed for replacement.

### Return Line Water Flow

**IMPORTANT:** The water flow from your return line can push the cleaner's hose and affect its performance. It may cause the cleaner to steer away from the end of the pool where the return line is located, or it may cause it to remain in one section of the pool. To correct this, use the eyeball diverter included with your cleaner.

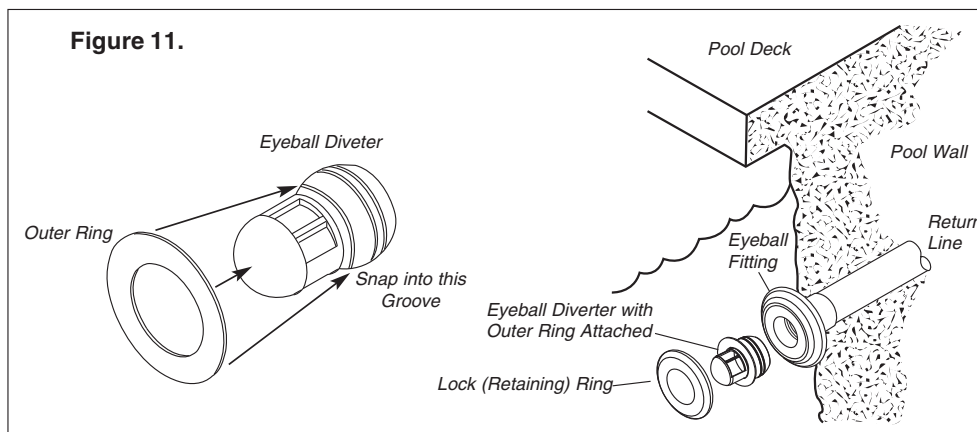
To install the eyeball diverter:

- First make sure your pool pump is off. Remove the original eyeball diverter from the return line at the pool by unscrewing the lock ring, see Figure 10.
- Replace the original eyeball diverter with the E-Z Vac's eyeball diverter.
- Replace the lock ring and tighten. Make sure the opening of the eyeball diverter points in the proper direction before tightening fully. See below, Eyeball Diverter Positions.



**IMPORTANT: The eyeball diverter must fit snugly into the eyeball fitting.** Some eyeball fittings, like Aqua Leader or Olympic, may be too large for the eyeball diverter. In this situation, use the outer ring supplied with your E-Z Vac® to adjust for the discrepancy in size.

- Snap the outer ring onto the eyeball diverter and position it in the first groove as shown in Figure 11.
- Insert the eyeball diverter/outer ring assembly into the eyeball fitting in the return line, see Figure 11.
- Install the lock (retaining) ring and tighten.



### **Eyeball Diverter Positions**

- Make sure the opening of the eyeball diverter points to the side, at a “9 o’clock position”, before tightening fully.
- Usually, directing the return line water flow against the side of the pool, as described above, works best. However, you may want to try pointing the flow downward or in different positions to see which works best in your pool.

**NOTE: If the Eyeball or Eyeball with outer ring does not fit your pool, use the Wire Diverter accessory available for purchase from your Pentair dealer.**

After installing the eyeball diverter, turn the pool pump on. Your cleaner should begin moving across the pool floor vacuuming up debris in its path.

## VI. Troubleshooting

Because of the individual characteristics of your pool, some additional adjustments may be required to get the best performance from your E-Z Vac®. If there seems to be a problem, check these common causes of cleaner problems. If you still need help, call your Pentair Water Pool and Spa® Dealer or call our **Customer Helpline at 800-831-7133**.

_ Is filter clean?	Clean filter
_ Is pump strainer basket clean?	Clean basket
_ Is debris blocking the bottom of E-Z Vac®?	Remove debris
_ Are there any leaks in the hose?	Replace leaky section
_ Is automatic regulator valve free of debris?	Clean valve

**NOTE: When E-Z Vac® is operating, we recommend that you remove your pool's ladder, steps or similar obstructions.**

Otherwise, the ladder, steps, or similar obstructions can “trap” the E-Z Vac® and prevent it from moving about the pool.

### If E-Z Vac® is not moving or pulsating:

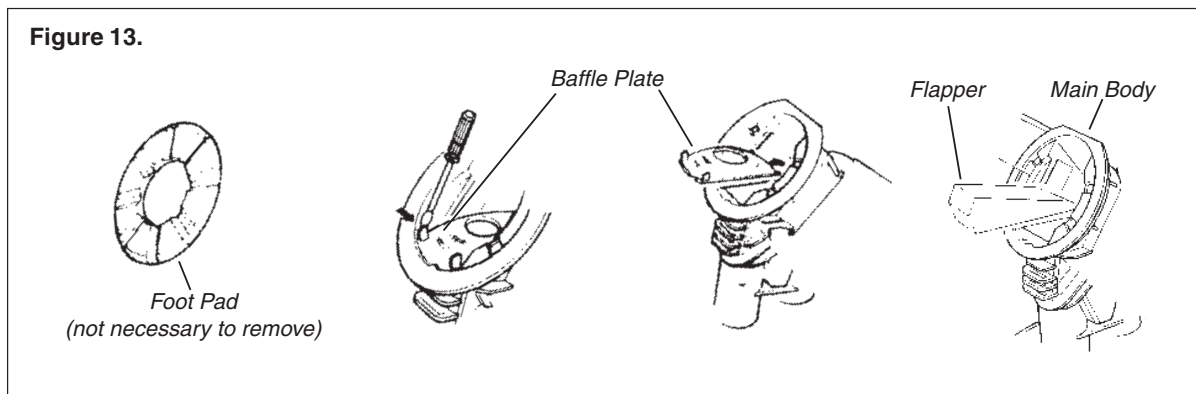
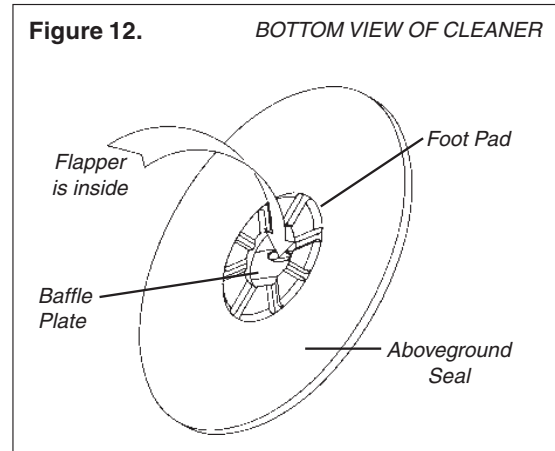
- Check to ensure that the main drain and all suction lines are closed, *except* for the suction line to which the E-Z Vac® is attached.
- Check for sufficient flow through the cleaner hose using the flow indicator.
- Check for debris in the filter, pump basket, vacuum regulator or leaks in the hose.
- Check for debris in E-Z Vac's flapper. Debris may prevent flapper movement or restrict flow. See page 13 for instructions.
- Pool pump and filter system may be too small (incapable of providing 14 gallons per minute water flow). Consult your pool professional.

### If E-Z Vac® tracks in a repetitive pattern

- Check the swivel on the top of E-Z Vac®. It should turn freely.
- Check the return line water flow and re-direct as necessary with an eyeball diverter.
- Refer to page 11, “Eyeball Diverter Positions”.
- Check E-Z Vac's hose to ensure it has not become bent or kinked. It only takes one bent or kinked hose section to hinder the cleaning coverage. One way to check for kinks in your hose is to lay each section flat on your pool's deck (or other flat surface). The hose should be perfectly straight and flat. **Do not coil the hose when taking your E-Z Vac® out of the pool because it will retain the coil shape forming a bend or kink.**

## TO REMOVE DEBRIS FROM THE FLAPPER

- Sometimes debris may clog the bottom of the cleaner and prevent flapper movement or restrict flow. The flapper is located inside the main body and must move freely at all times.
- You can see the flapper through the opening in the baffle plate, when you turn the cleaner upside down as shown in Figure 12. Jiggle the flapper with your finger or flush the cavity with a hose to force out any debris lodged inside the main body.
- If debris is still lodged inside, you must remove the flapper. First, lift the lip of the foot pad up and insert a flat-headed screwdriver along side one of the two tabs found on either side of the baffle plate, see Figure 13. Push the tab inward with the screwdriver until the baffle plate releases. Place a finger into the center opening of the baffle plate and pull up until it pops out. Then pull the flapper out. **NOTE: You should be able to do this without taking the foot pad off.**
- Once the debris is dislodged, insert the flapper back into the main body and snap the baffle plate back into position. Be sure that it is securely in place. See Figure 13.



## VII. Maintenance

E-Z Vac<sup>®</sup> requires almost no maintenance. Visually inspect your E-Z Vac<sup>®</sup> from time to time to make sure that:

- The flapper is moving freely and is not obstructed by debris.
- The footpad is not excessively worn. When the traction pads on the bottom have worn down, it is time for replacement.

We recommend that you leave E-Z Vac<sup>®</sup> in your pool, **except during chemical shock treatments.** During swimming it is easy to unplug E-Z Vac<sup>®</sup> and pull it to one side.

**When storing E-Z Vac<sup>®</sup>, do not coil the hose.** Lay the hose out flat in an area protected from direct sunlight. If hose sections are disconnected, try not to disturb the hose weight location.

To ensure optimum performance from your E-Z Vac<sup>®</sup>, we recommend the use of an authentic Kreepy Krauly<sup>®</sup> cleaner blue section hose by Pentair.

## VIII. Customer Service

Your satisfaction is important to us, so we're happy to help you get the best performance possible from your new E-Z Vac<sup>®</sup>. This manual covers the standard performance adjustments, which may apply to your pool. **If you still need help, call your Pentair Water Pool and Spa<sup>®</sup> dealer or call our Customer Helpline at 800-831-7133.** Please have your E-Z Vac<sup>®</sup> serial number ready when you call.

### **Disclaimer of Liability –**

#### **About Your Pool and E-Z Vac<sup>®</sup>**

There are a multitude of factors that contribute to the life of your pool. The E-Z Vac<sup>®</sup> product is a very passive product that will have no impact on pool life.

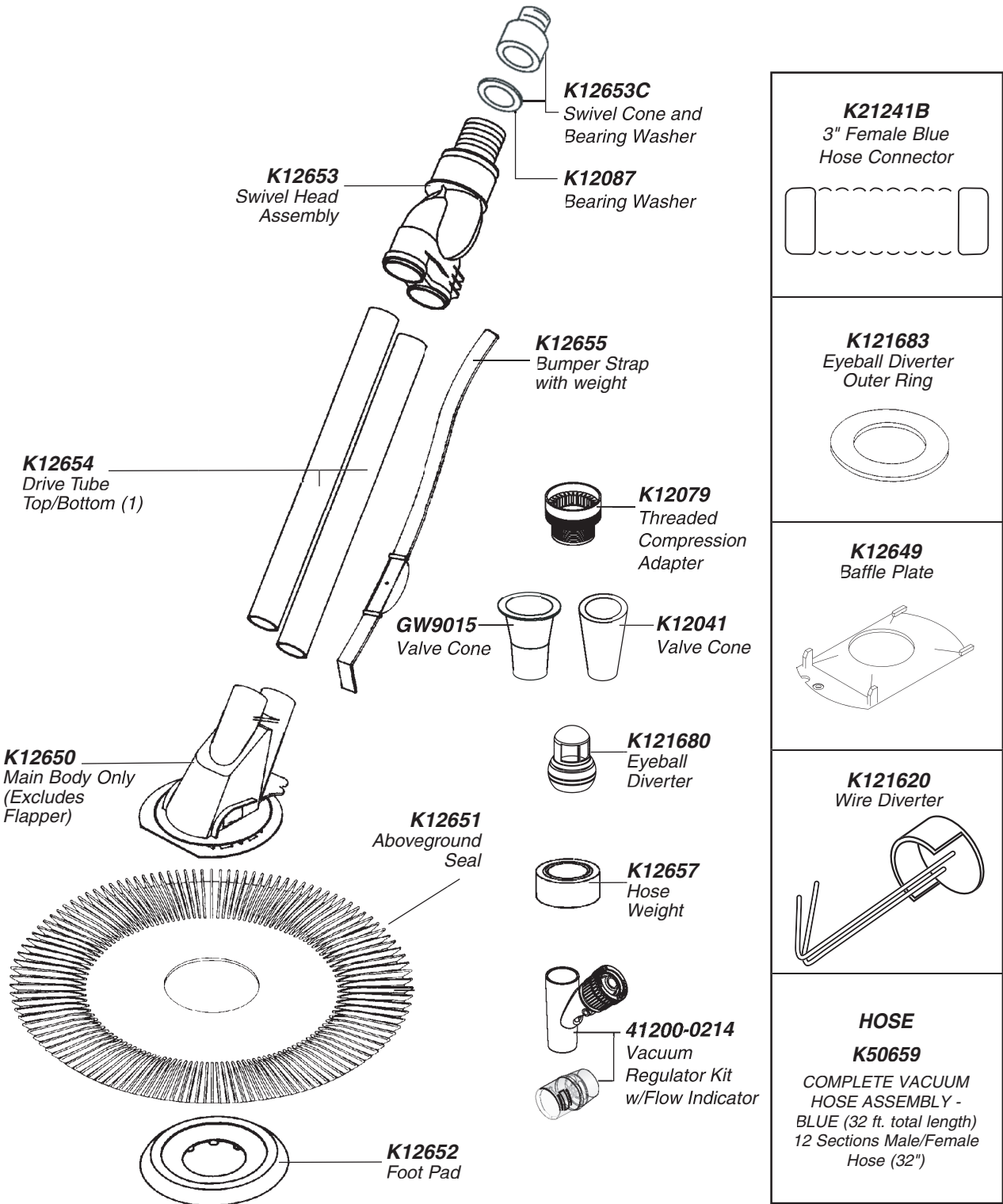
Please be aware that over time, deterioration, discoloration, weakness and brittleness of vinyl liners can be caused separately by, or in combination with, age, the environment, an imbalance in pool water chemistry, sunlight and the pool's surroundings. In addition, vinyl-lined pools are affected by the workmanship, composition and installation of the liner; and the workmanship and quality of construction of the supporting walls and pool base. These are all factors which can contribute to liner failure. The existence of any of these types of conditions in your pool is not caused by the use or operation of E-Z Vac<sup>®</sup>. The manufacturer disclaims any liability for repairs or replacement to any of these structures or components in the customer's pool.

**E-Z Vac<sup>®</sup> cleans any aboveground pool that has a banked or radius cove height of at least 6 inches (floor-to-wall angle). Pool coves of less than 6 inches, or the absence of a cove, will inhibit the cleaner's operation. See Figure 1 on page 7.**

The pool owner must assume all responsibility for the condition and maintenance of the pool's surface, water and deck.

# IX. Parts and Accessories

**“Insist on Genuine E-Z Vac®  
Parts to Protect Your Warranty”**



**SAVE THESE INSTRUCTIONS**



**Pentair Water Pool and Spa, Inc.**

1620 Hawkins Avenue, Sanford, NC 27330 • 1-800-831-7133 • (919) 566-8000  
10951 West Los Angeles Ave., Moorpark, CA 93021 • 1-800-831-7133 • (805) 553-5000

E-mail: [poolinfo@pentairpool.com](mailto:poolinfo@pentairpool.com)

Internet: [www.pentairpool.com](http://www.pentairpool.com) or [www.staritepool.com](http://www.staritepool.com)

© 2011 Pentair Water Pool and Spa, Inc. All rights reserved.  
This document is subject to change without notice.