

Pool Breakdown

Belize 12' Round 52"

NB2520

| | |
|--|--|
| <p><u>FEATURES:</u> Round Size: 12q Depth: 52+ 15 Year Warranty</p> | <p><u>STRUCTURE COMPOSITION:</u> Rugged Steel Frame Polymer Seat Caps Protective Wall Coatings</p> |
|--|--|

| | Qty | Carton # | Carton Content Description |
|--------------------------|-----|----------------------|---|
| <input type="checkbox"/> | 1 | 1252-6HP-WS-2 | BELIZE . 6 INCH TOP SEAT, 6 INCH VERTICAL, 5/8 INCH RAIL, INSTRUCTIONS, PAPERWORK |
| <input type="checkbox"/> | 1 | 12-6P-WS-3 | BELIZE . 6 INCH JOINT, 6 INCH SEAT COVER, 6 INCH SEAT COVER BRACKET, SEAT COVER ASSEMBLY BOLT PACKAGE |
| <input type="checkbox"/> | 1 | 1252-THT-W | BELIZE . WALL (TERRA HAUTE TAUPE), PLASTIC EDGING, 52+WALL JOINT PACKAGE |

Carton Breakdown

Belize 12' Round 52"

NB2520

| Key # | Qty | Item # | Mfg Part # | Part Description | |
|---|-----|--------|------------|------------------|--------------------------------------|
| FRAME CARTON # 1252-6HP-WS-2 | | | | | |
| <input type="checkbox"/> | 1 | 10 | NBP1028 | 2366 | 6in Vertical (52+High) |
| <input type="checkbox"/> | 4 | 20 | NBP1024 | 1212 | 5/8in Rail L=1130mm (44-1/2") 12ft |
| <input type="checkbox"/> | 6 | 10 | NBP1022 | 1161 | 6in Top Seat L=1126mm (44-3/8") 12ft |
| <input type="checkbox"/> | --- | 1 | ----- | 0022 | Warranty |
| <input type="checkbox"/> | --- | 1 | ----- | 0023 | Safety Decals |
| <input type="checkbox"/> | --- | 1 | ----- | 0024 | Parts List + Frame Instruction |
| <input type="checkbox"/> | --- | 1 | ----- | 0025 | Safety Booklet |
| <input type="checkbox"/> | --- | 1 | ----- | 0001 | Round Instruction Manual |
| FRAME CARTON # 12-6P-WS-3 | | | | | |
| <input type="checkbox"/> | 2 | 10 | NBP1068 | 2168 | 6in Resin Joint - Upper |
| <input type="checkbox"/> | 7 | 10 | NBP1030 | 2464 | 6in Seat Cover Bracket |
| <input type="checkbox"/> | 8 | 10 | NBP1029 | 2463 | 6in Seat Cover |
| <input type="checkbox"/> | 10 | 10 | NBP1069 | 2268 | 6in Resin Joint - Lower |
| Seat Cover Assembly Bolt Package (Part # 3318 / Order # NBP1032) | | | | | |
| <input type="checkbox"/> | 3 | 110 | NBP1032 | 0341* | #12 Sheet Metal Screw |
| <input type="checkbox"/> | 3 | 10 | NBP1032 | 2402* | Resin Seat Cover Cap |

*These part #s are not available to purchase separately. They must be purchased as the Seat Cover Assembly Bolt Package, Order # NBP1032

Carton Breakdown

Belize 12' Round 52"

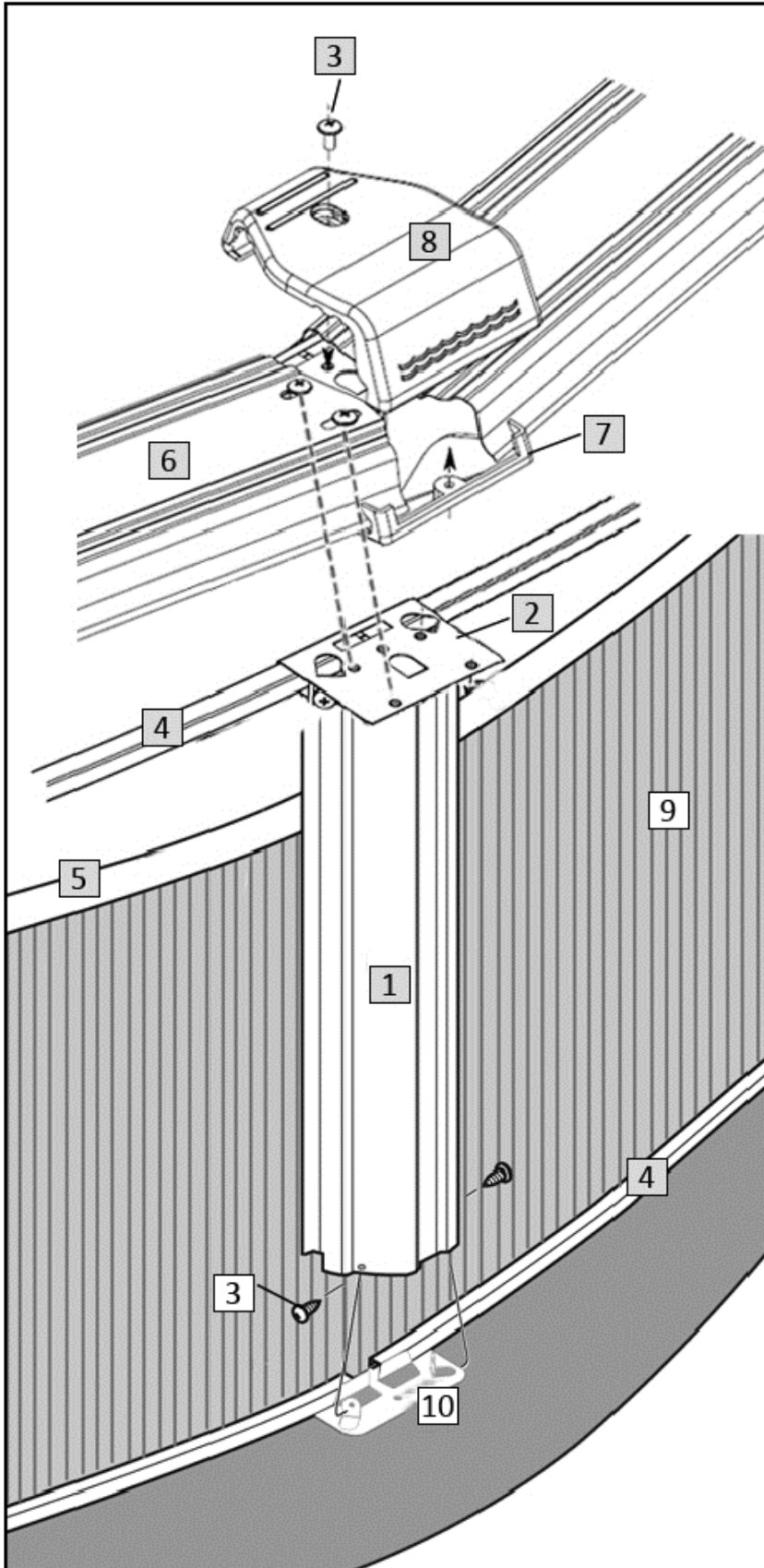
NB2520

| Key # | Qty | Item # | Mfg Part # | Part Description | |
|---|-----|--------|------------|------------------|----------------------------|
| WALL CARTON # 1252-THT-W | | | | | |
| <input type="checkbox"/> | 5 | 9 | NL107 | 8100 | Plastic Edging |
| <input type="checkbox"/> | 9 | 1 | PC5245 | 52+Wall | Terra Haute Taupe Wall |
| 52" Wall Joint Bolt Package (Part # 0113, Order # NBP1021) | | | | | |
| <input type="checkbox"/> | 3 | 26 | NBP1021 | 0513* | 1/4+x 1/2+Truss Head Screw |
| <input type="checkbox"/> | 3 | 51 | NBP1021 | 0411* | 1/4+Reinforcing Washer |
| <input type="checkbox"/> | 3 | 26 | NBP1021 | 0611* | 1/4+Nut |

*These part #s are not available to purchase separately. They must be purchased as the Wall Joint Bolt Package, Order # NBP1021

Belize 12' Round 52"

NB2520



| Key # | Part Description | Item # |
|-------|------------------------|---------|
| 1 | 6in Vertical | NBP1028 |
| 2 | Resin Upper Joint | NBP1068 |
| 3 | Seat Cover Hardware | NBP1032 |
| 3 | Wall Joint Hardware | NBP1021 |
| 4 | 5/8+Rail | NBP1024 |
| 5 | Plastic Edging | NL107 |
| 6 | 6in Top Seat | NBP1022 |
| 7 | 6in Seat Cover Bracket | NBP1030 |
| 8 | 6in Seat Cover | NBP1029 |
| 9 | Wall | PC5245 |
| 10 | Resin Lower Joint | NBP1069 |