

Pool Breakdown
Belize 15'x30' Oval 52"
NB2534

| | |
|---|--|
| <p><u>FEATURES:</u> Oval Size: 15x30 Depth: 52+ 15 Year Warranty</p> | <p><u>STRUCTURE COMPOSITION:</u> Rugged Steel Frame Polymer Seat Caps Protective Wall Coatings</p> |
|---|--|

| | Qty | Carton # | Carton Content Description |
|--------------------------|-----|-------------------------|---|
| <input type="checkbox"/> | 1 | 301552-6HP-WS-2 | BELIZE . 6 INCH TOP SEAT, 6 INCH VERTICAL, 5/8 INCH RAIL, INSTRUCTIONS, PAPERWORK |
| <input type="checkbox"/> | 1 | 3015-6P-WS-3 | BELIZE . 6 INCH JOINT, 6 INCH SEAT COVER, 6 INCH SEAT COVER BRACKET, SEAT COVER ASSEMBLY BOLT PACKAGE |
| <input type="checkbox"/> | 1 | 301552-RG11-WS-A | BELIZE . SIDE VERTICAL, BRACE, HORIZONTAL SUPPORT, STRAPS, OVAL FRAME BOLT PACKAGE, PRESSURE PLATE |
| <input type="checkbox"/> | 1 | 301552-THT-W | BELIZE . WALL (TERRA HAUTE TAUPE), PLASTIC EDGING, 52+WALL JOINT PACKAGE |

Carton Breakdown

Belize 15'x30' Oval 52"

NB2534

| Key # | Qty | Item # | Mfg Part # | Part Description | |
|---|-----|--------|------------|------------------|--------------------------------------|
| FRAME CARTON # 301552-6HP-WS-2 | | | | | |
| <input type="checkbox"/> | 1 | 10 | NBP1028 | 2366 | 6in Vertical (52+High) |
| <input type="checkbox"/> | 4 | 32 | NBP1025 | 1615 | 5/8in Rail L=1431mm (56-3/8") |
| <input type="checkbox"/> | 6 | 16 | NBP1023 | 1164 | 6in Top Seat L=1429mm (56-1/4") 15ft |
| <input type="checkbox"/> | --- | 1 | ----- | 0022 | Warranty |
| <input type="checkbox"/> | --- | 1 | ----- | 0023 | Safety Decals |
| <input type="checkbox"/> | --- | 1 | ----- | 0024 | Parts List + Frame Instruction |
| <input type="checkbox"/> | --- | 1 | ----- | 0025 | Safety Booklet |
| FRAME CARTON # 3015-6P-WS-3 | | | | | |
| <input type="checkbox"/> | 2 | 10 | NBP1068 | 2168 | 6in Resin Joint - Upper |
| <input type="checkbox"/> | 7 | 10 | NBP1030 | 2464 | 6in Seat Cover Bracket |
| <input type="checkbox"/> | 8 | 10 | NBP1029 | 2463 | 6in Seat Cover |
| <input type="checkbox"/> | 10 | 10 | NBP1069 | 2268 | 6in Resin Joint - Lower |
| <input type="checkbox"/> | 13 | 6 | NBP1033 | 3462 | 6in Side Seat Cover |
| <input type="checkbox"/> | 16 | 6 | NBP1031 | 3233 | 5/8in Side Lower Rail Joint |
| <input type="checkbox"/> | 19 | 6 | NBP1004 | 3177 | 6in Resin Side Upper Joint |
| Seat Cover Assembly Bolt Package (Part # 3318 / Order # NBP1032) | | | | | |
| <input type="checkbox"/> | 3 | 158 | NBP1032 | 0341* | #12 Sheet Metal Screw |
| <input type="checkbox"/> | 3 | 16 | NBP1032 | 2402* | Resin Seat Cover Cap |

*These part #s are not available to purchase separately. They must be purchased as the Seat Cover Assembly Bolt Package, Order # NBP1032

Carton Breakdown

Belize 15'x30' Oval 52"

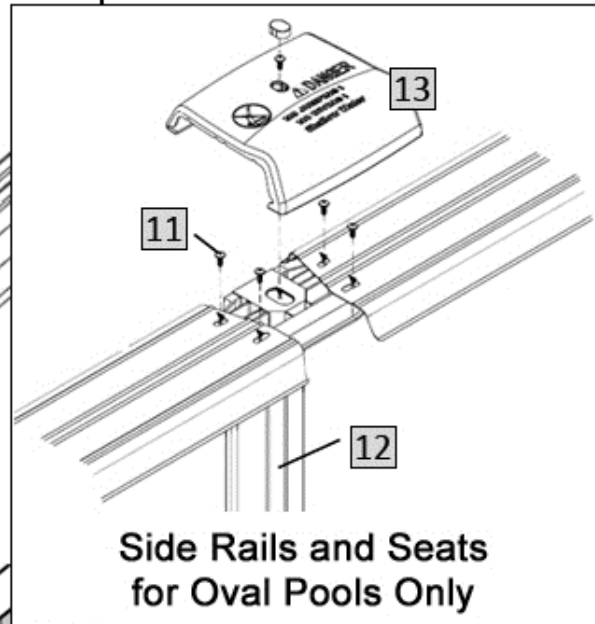
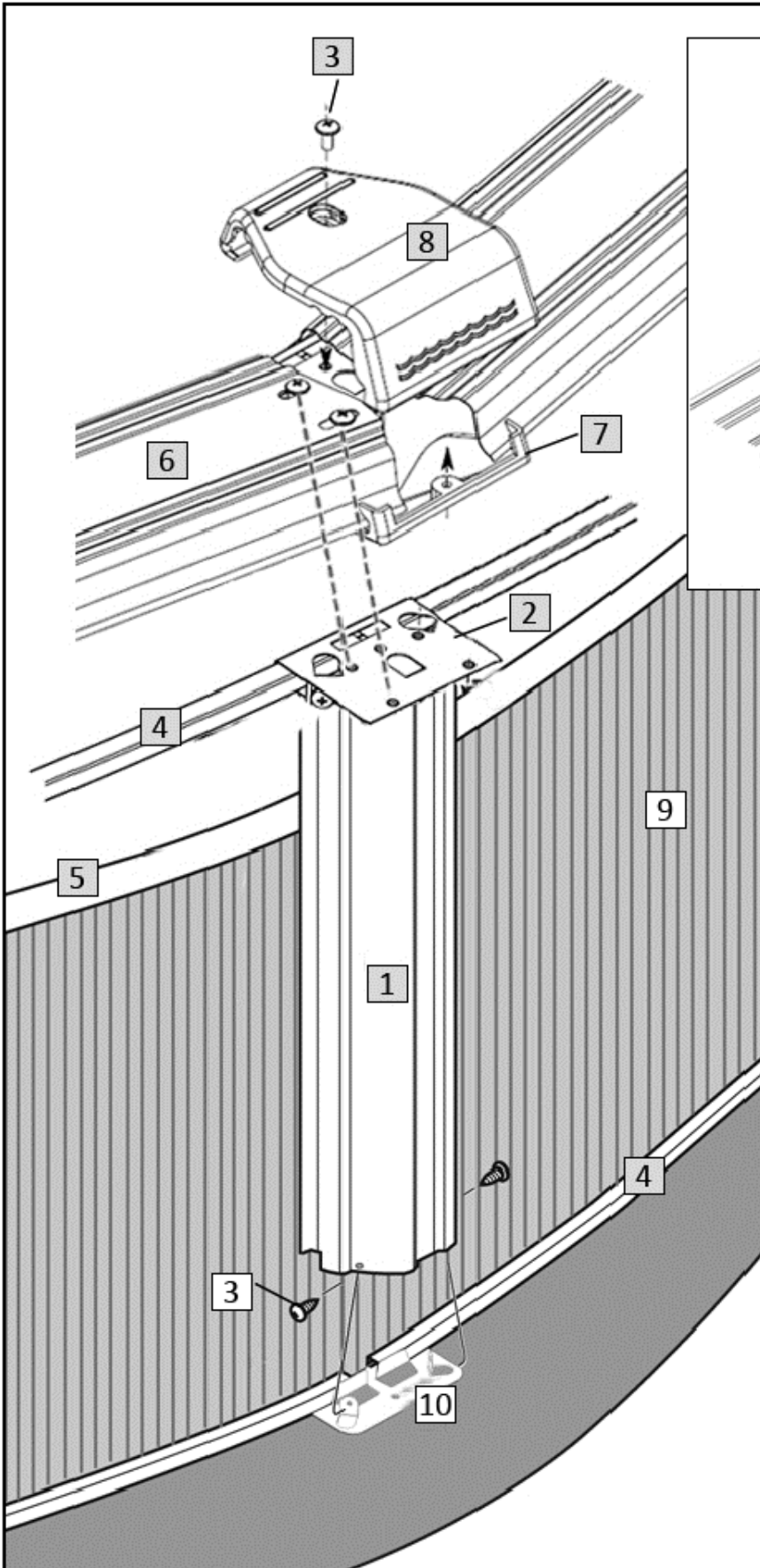
NB2534

| Key # | Qty | Item # | Mfg Part # | Part Description | |
|---|-----|--------|------------|------------------|------------------------------------|
| FRAME CARTON # 301552-RG11-WS-A | | | | | |
| <input type="checkbox"/> | 12 | 6 | NBP1006 | 3314 | Side Vertical (for 52+Wall) |
| <input type="checkbox"/> | 14 | 6 | NBP1209 | 4106 | Brace (for 52+Wall) |
| <input type="checkbox"/> | 15 | 6 | NBP1210 | 5239 | Horizontal Support (for 52+Wall) |
| <input type="checkbox"/> | 17 | 6 | NBP1013 | 7244 | Middle Strap L=929mm (36-5/8+) |
| <input type="checkbox"/> | 17 | 6 | NBP1012 | 7224 | End Strap L=1400mm (55-1/8+) |
| <input type="checkbox"/> | 18 | 6 | NBP1011 | 6254 | Pressure Plate L=680mm (26-3/4+) |
| <input type="checkbox"/> | --- | 1 | ----- | ----- | Braced Oval Pool Instructions |
| Braced Oval Frame Bolt Package (Part # 0104 / Order # NBP1000) QTY 3 | | | | | |
| <input type="checkbox"/> | 11 | 13 | NBP1000 | 0923* | M8 x 20 Hex Head Bolt |
| <input type="checkbox"/> | 11 | 13 | NBP1000 | 0423* | 10.5mm x 21mm x 2.0mm Plain Washer |
| <input type="checkbox"/> | 11 | 13 | NBP1000 | 0623* | M8 Nut |
| <input type="checkbox"/> | 11 | 8 | NBP1000 | 0341* | #12 Sheet Metal Screw |
| Strap Bolt Package (Part # 0106 / Order # NBP1002) QTY 3 | | | | | |
| <input type="checkbox"/> | 11 | 27 | NBP1002 | 0623* | M8 Nut |
| <input type="checkbox"/> | 11 | 27 | NBP1002 | 0923* | M8 x 20 Hex Head Bolt |
| WALL CARTON # 301552-THT-W | | | | | |
| <input type="checkbox"/> | 5 | 19 | NL107 | 8100 | Plastic Edging |
| <input type="checkbox"/> | 9 | 1 | PC5212 | 52+Wall | Terra Haute Taupe Wall |
| Wall Joint Bolt Package (Part # 0113 / Order # NBP1021) | | | | | |
| <input type="checkbox"/> | 3 | 26 | NBP1021 | 0513* | ¼+x ½+Truss Head Screw |
| <input type="checkbox"/> | 3 | 51 | NBP1021 | 0411* | ¼+Reinforcing Washer |
| <input type="checkbox"/> | 3 | 26 | NBP1021 | 0611* | ¼+Nut |

*These part #s are not available to purchase separately. They must be purchased as part of corresponding Bolt Package.

Belize 15'x30' Oval 52"

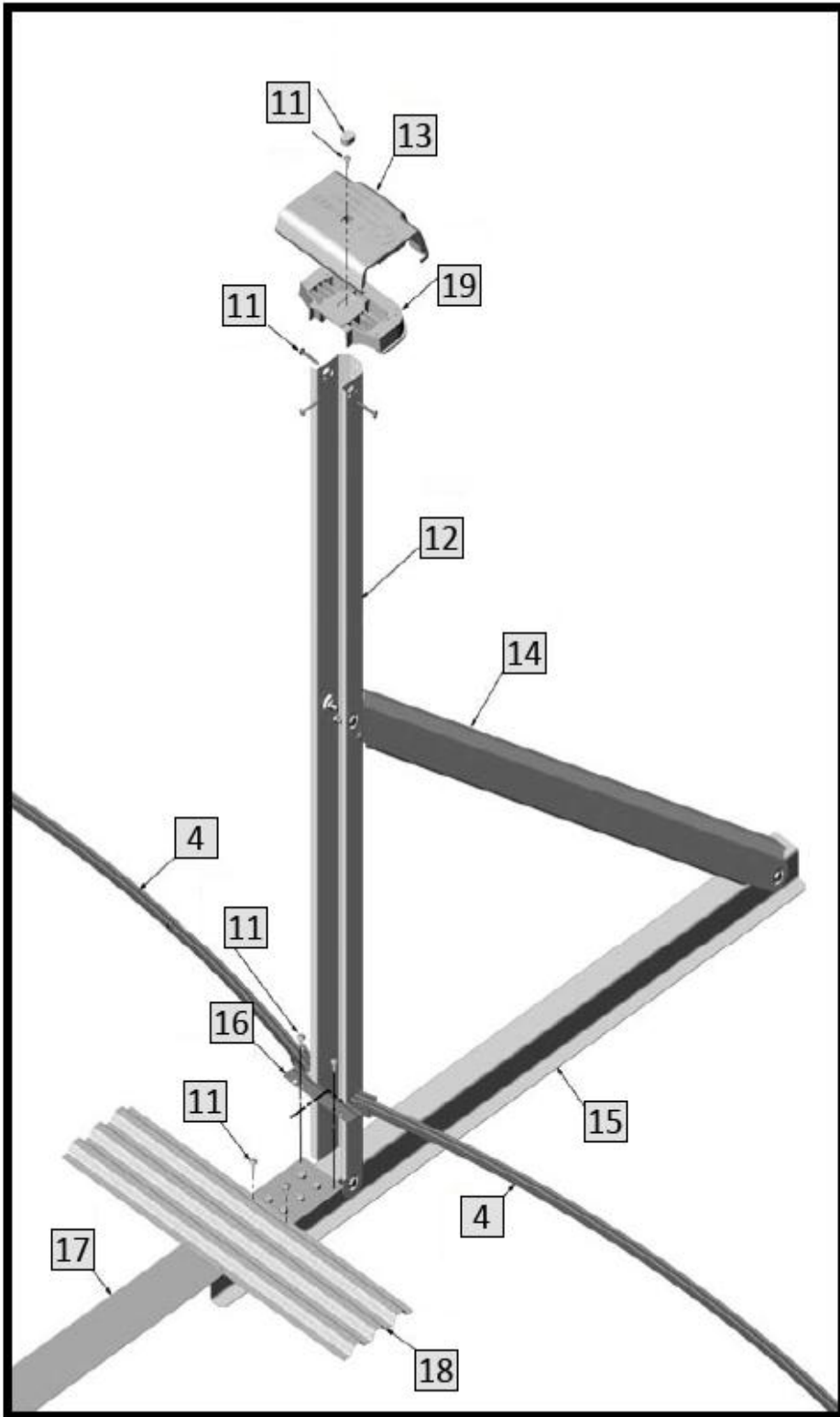
NB2534



| Key # | Part Description | Item # |
|-------|---------------------------------|---------|
| 1 | 6in Vertical | NBP1028 |
| 2 | Resin Upper Joint | NBP1068 |
| 3 | Seat Cover Hardware | NBP1032 |
| 3 | Wall Joint Hardware | NBP1021 |
| 4 | 5/8+Rail | NBP1025 |
| 5 | Plastic Edging | NL107 |
| 6 | 6in Top Seat | NBP1023 |
| 7 | 6in Seat Cover Brckt. | NBP1030 |
| 8 | 6in Seat Cover | NBP1029 |
| 9 | Wall | PC5212 |
| 10 | Resin Lower Joint | NBP1069 |
| 11 | Braced Oval Frame Bolt Hardware | NBP1000 |
| 12 | 6in Side Vertical | NBP1006 |
| 13 | 6in Side Seat Cover | NBP1033 |

Belize 15'x30' Oval 52"

NB2534



| Key # | Part Description | Item # |
|-------|---------------------------------|---------|
| 4 | 5/8+Rail | NBP1025 |
| 11 | Braced Oval Frame Bolt Hardware | NBP1000 |
| 11 | Strap Bolt Hrdwr. | NBP1002 |
| 12 | 6in Side Vertical | NBP1006 |
| 13 | 6in Side Seat Cover | NBP1033 |
| 14 | Brace | NBP1209 |
| 15 | Horizontal Support | NBP1210 |
| 16 | Side Lower Rail Joint | NBP1031 |
| 17 | Middle Strap | NBP1013 |
| 17 | End Strap | NBP1012 |
| 18 | Pressure Plate | NBP1011 |
| 19 | Resin Side Upper Joint | NBP1004 |