

Pool Breakdown
Belize 18'x33' Oval 52"
NB2536

<u>FEATURES:</u> Oval Size: 18x33q Depth: 52+ 15 Year Warranty	<u>STRUCTURE COMPOSITION:</u> Rugged Steel Frame Polymer Seat Caps Protective Wall Coatings
---	---

	Qty	Carton #	Carton Content Description
<input type="checkbox"/>	1	331852-6HP-WS-2	BELIZE . 6 INCH TOP SEAT, 6 INCH VERTICAL, 5/8 INCH RAIL, INSTRUCTIONS, PAPERWORK
<input type="checkbox"/>	1	3318-6P-WS-3	BELIZE . 6 INCH JOINT, 6 INCH SEAT COVER, 6 INCH SEAT COVER BRACKET, SEAT COVER ASSEMBLY BOLT PACKAGE
<input type="checkbox"/>	1	331852-RG11-WS-A	BELIZE . SIDE VERTICAL, BRACE, HORIZONTAL SUPPORT, STRAPS, OVAL FRAME BOLT PACKAGE, PRESSURE PLATE
<input type="checkbox"/>	1	331852-THT-W	BELIZE . WALL (TERRA HAUTE TAUPE), PLASTIC EDGING, 52+WALL JOINT PACKAGE

Carton Breakdown

Belize 18'x33' Oval 52"

NB2536

Key #	Qty	Item #	Mfg Part #	Part Description	
FRAME CARTON # 331852-6HP-WS-2					
<input type="checkbox"/>	1	12	NBP1028	2366	6in Vertical (52+High)
<input type="checkbox"/>	4	36	NBP1055	1618	5/8in Rail L=1431mm (56-3/8")
<input type="checkbox"/>	6	18	NBP1023	1164	6in Top Seat L=1429mm (56-1/4") 15ft
<input type="checkbox"/>	---	1	-----	0022	Warranty
<input type="checkbox"/>	---	1	-----	0023	Safety Decals
<input type="checkbox"/>	---	1	-----	0024	Parts List + Frame Instruction
<input type="checkbox"/>	---	1	-----	0025	Safety Booklet
FRAME CARTON # 3318-6P-WS-3					
<input type="checkbox"/>	2	12	NBP1068	2168	6in Resin Joint - Upper
<input type="checkbox"/>	7	12	NBP1030	2464	6in Seat Cover Bracket
<input type="checkbox"/>	8	12	NBP1029	2463	6in Seat Cover
<input type="checkbox"/>	10	12	NBP1069	2268	6in Resin Joint - Lower
<input type="checkbox"/>	13	6	NBP1033	3462	6in Side Seat Cover
<input type="checkbox"/>	16	6	NBP1031	3233	5/8in Side Lower Rail Joint
<input type="checkbox"/>	19	6	NBP1004	3177	6in Resin Side Upper Joint
Seat Cover Assembly Bolt Package (Part # 3318 / Order # NBP1032)					
<input type="checkbox"/>	3	180	NBP1032	0341*	#12 Sheet Metal Screw
<input type="checkbox"/>	3	18	NBP1032	2402*	Resin Seat Cover Cap

*These part #s are not available to purchase separately. They must be purchased as the Seat Cover Assembly Bolt Package, Order # NBP1032

Carton Breakdown

Belize 18'x33' Oval 52"

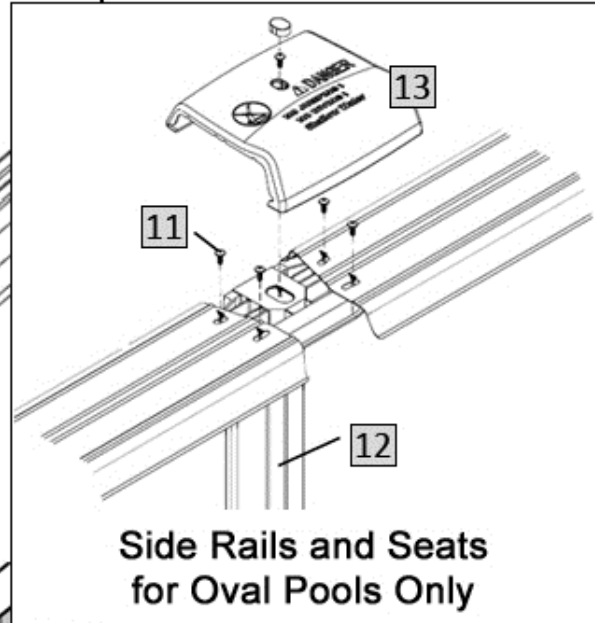
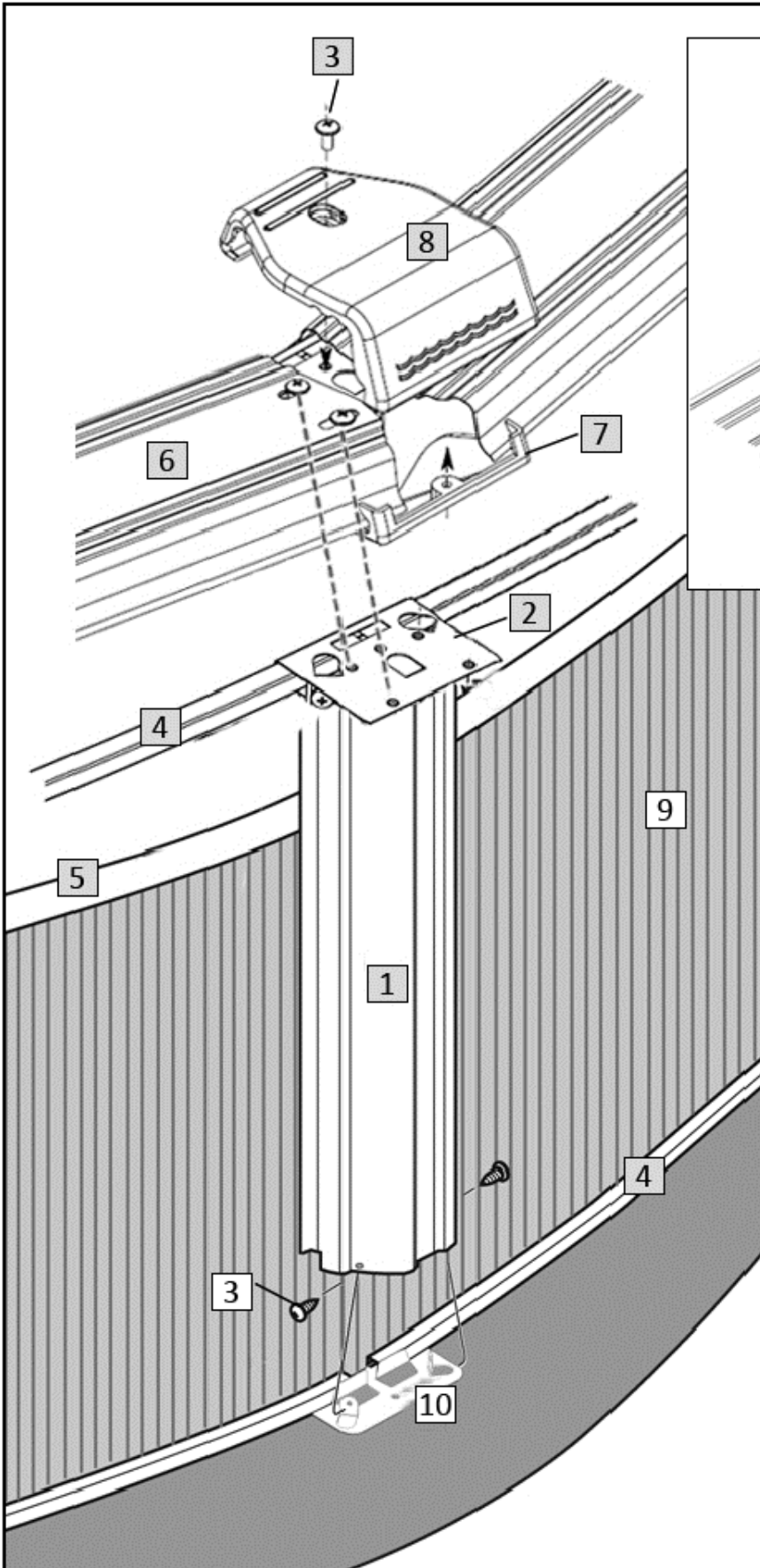
NB2536

Key #	Qty	Item #	Mfg Part #	Part Description	
FRAME CARTON # 331852-RG11-WS-A					
<input type="checkbox"/>	12	6	NBP1006	3314	Side Vertical (for 52+Wall)
<input type="checkbox"/>	14	6	NBP1209	4106	Brace (for 52+Wall)
<input type="checkbox"/>	15	6	NBP1210	5239	Horizontal Support (for 52+Wall)
<input type="checkbox"/>	17	6	NBP1015	7264	Middle Strap L=1405mm (55-3/8+)
<input type="checkbox"/>	17	6	NBP1012	7224	End Strap L=1400mm (55-1/8+)
<input type="checkbox"/>	18	6	NBP1011	6254	Pressure Plate L=680mm (26-3/4+)
<input type="checkbox"/>	---	1	-----	-----	Braced Oval Pool Instructions
Braced Oval Frame Bolt Package (Part # 0104 / Order # NBP1000) QTY 3					
<input type="checkbox"/>	11	13	NBP1000	0923*	M8 x 20 Hex Head Bolt
<input type="checkbox"/>	11	13	NBP1000	0423*	10.5mm x 21mm x 2.0mm Plain Washer
<input type="checkbox"/>	11	13	NBP1000	0623*	M8 Nut
<input type="checkbox"/>	11	8	NBP1000	0341*	#12 Sheet Metal Screw
Strap Bolt Package (Part # 0106 / Order # NBP1002) QTY 3					
<input type="checkbox"/>	11	27	NBP1002	0623*	M8 Nut
<input type="checkbox"/>	11	27	NBP1002	0923*	M8 x 20 Hex Head Bolt
WALL CARTON # 331852-THT-W					
<input type="checkbox"/>	5	20	-----	8100	Plastic Edging
<input type="checkbox"/>	9	1	PC5213	52+Wall	Terra Haute Taupe Wall
Wall Joint Bolt Package (Part # 0113 / Order # NBP1021)					
<input type="checkbox"/>	3	26	NBP1021	0513*	¼+x ½+Truss Head Screw
<input type="checkbox"/>	3	51	NBP1021	0411*	¼+Reinforcing Washer
<input type="checkbox"/>	3	26	NBP1021	0611*	¼+Nut

*These part #s are not available to purchase separately. They must be purchased as part of corresponding Bolt Package.

Belize 18'x33' Oval 52"

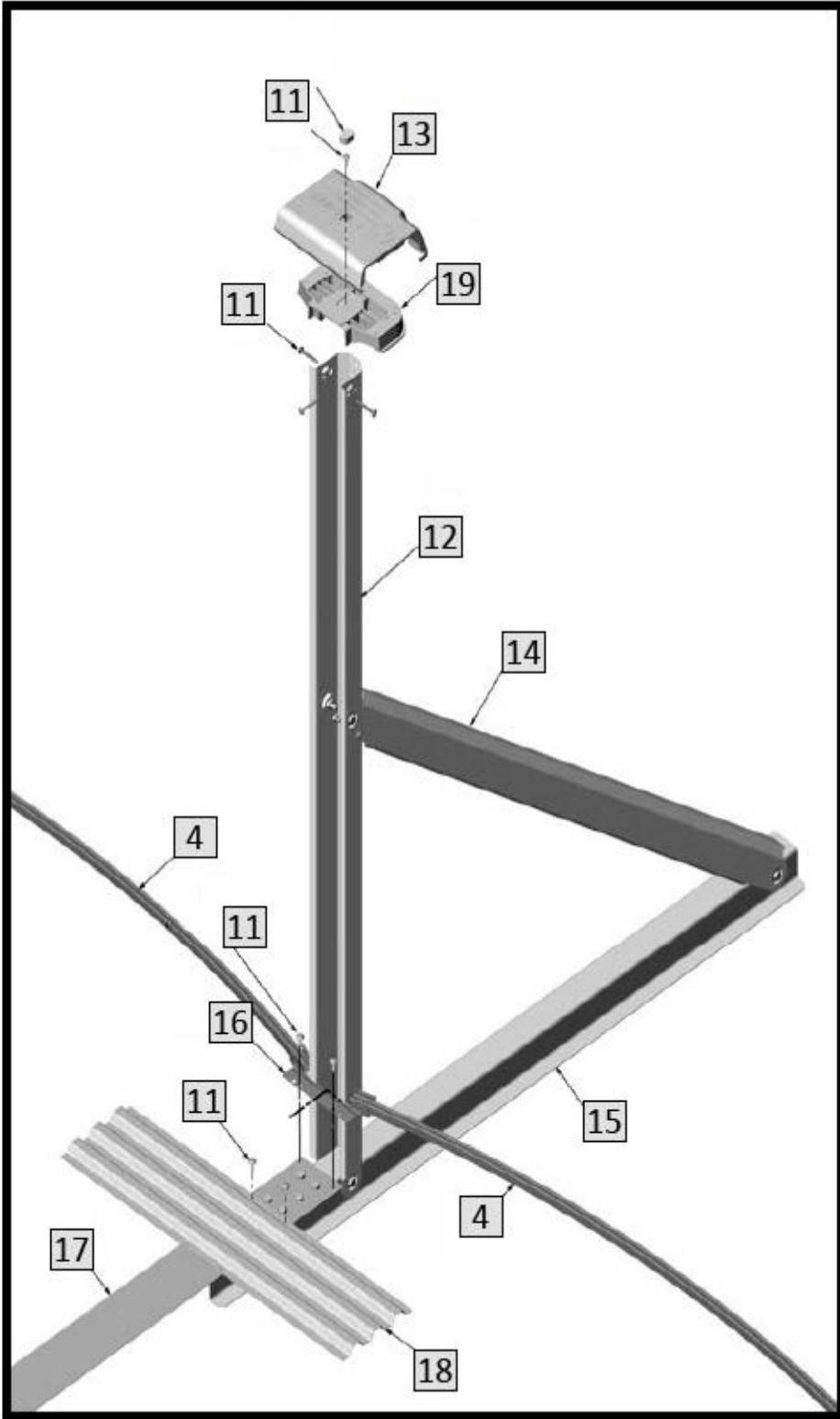
NB2536



Key #	Part Description	Item #
1	6in Vertical	NBP1028
2	Resin Upper Joint	NBP1068
3	Seat Cover Hardware	NBP1032
3	Wall Joint Hardware	NBP1021
4	5/8+Rail	NBP1055
5	Plastic Edging	NL107
6	6in Top Seat	NBP1023
7	6in Seat Cover Brckt.	NBP1030
8	6in Seat Cover	NBP1029
9	Wall	PC5213
10	Resin Lower Joint	NBP1069
11	Braced Oval Frame Bolt Hardware	NBP1000
12	6in Side Vertical	NBP1006
13	6in Side Seat Cover	NBP1033

Belize 18'x33' Oval 52"

NB2536



Key #	Part Description	Item #
4	5/8+Rail	NBP1055
11	Braced Oval Frame Bolt Hardware	NBP1000
11	Strap Bolt Hrdwr.	NBP1002
12	6in Side Vertical	NBP1006
13	6in Side Seat Cover	NBP1033
14	Brace	NBP1209
15	Horizontal Support	NBP1210
16	Side Lower Rail Joint	NBP1031
17	Middle Strap	NBP1015
17	End Strap	NBP1012
18	Pressure Plate	NBP1011
19	Resin Side Upper Joint	NBP1004