

Pool Breakdown

REPRIEVE 15' x 30' OVAL 48"

This first page lists the quantity, carton number, and carton description for each individual box and/or pallet in your shipment. Check that the numbers and descriptions on your checklist match identically to those on the cartons. Make sure that the pool type, model, shape, and size also line up perfectly. If something is off, even by one number, check to make sure that you have the correct checklist for your pool type and if so, contact our support team immediately at support@royalswimmingpools.com.

√	Qty	Carton Product Number #	Carton Content Description
<input type="checkbox"/>	1	CRREP15TS-10	CTN: REP 15 CRV-SIDE FRAME COMP
<input type="checkbox"/>	1	CRREPUS48-12	CTN: REP 48" CRV-SIDE FRAME COMP
<input type="checkbox"/>	1	CVBPRL-STRUT-0804	CTN: UNIV OVL-STR-SIDE FRAME COMP
<input type="checkbox"/>	1	CVREPTS-10	CTN: REP OVL-STR-SIDE FRAME COMP
<input type="checkbox"/>	1	CVREPVS48-08	CTN: REP 48" OVL-STR-SIDE FRAME COMP
<input type="checkbox"/>	1	CVSTRAP15-12	CTN: UNIV OVL-STR-SIDE FRAME COMP
<input type="checkbox"/>	1	CXREP1530-PSSN1	CTN: REP 1530 MIXED CRV/STR COMP
<input type="checkbox"/>	1	WIMP48S-WMN1530-938	WALL 1530 IMPRESSIONS48

Once you have all of the cartons listed above, continue to the next page. There should be one table per carton and each carton should be gone through entirely before moving on to the next.

Please ensure that you have received the proper quantity for each item listed.

DO NOT THROW CARTONS/BOXES AWAY UNTIL AFTER THE INSTALLATION IS COMPLETE. We recommend taking photos of all labels/stickers on the boxes.

In the unlikely event that you are missing items, please refer to the document Inventory Checklist and Reporting Missing Items that was previously emailed to you.

Once you have ALL items listed on the entire inventory checklist, refer to your safety handbook and installation manual before you start the building process.

CUSTOMER SUPPORT CAN BE REACHED AT ANY OF THE FOLLOWING:

CALL: 901-372-1773

TEXT: 901-472-7797

EMAIL: support@royalswimmingpools.com



Carton Breakdown

REPRIEVE 15' x 30' OVAL 48"

Carton Product Number #	Carton Content Description
CRREP15TS-10	CTN: REP 15 CRV-SIDE FRAME COMP

<input checked="" type="checkbox"/>	Key #	Qty	Part #	Part Description
<input type="checkbox"/>	E	10	21425	TR 6" SAND KK BULL 15' 51 3/16"

*Below items will contain no actual pool parts; just packaging/shipping materials

Qty	Part #	Part Description
1	97-1353B	CARTON-EMPTY [3X] ID 58-1/16X12-1/2X5-5/8 ETC48 BOT
1	97-1353T	CARTON-EMPTY [3X] ID 58-5/16X14X5-3/4 ETC48 TOP

Carton Product Number #	Carton Content Description
CRREPUS48-12	CTN: REP 48" CRV-SIDE FRAME COMP

<input checked="" type="checkbox"/>	Key #	Qty	Part #	Part Description
<input type="checkbox"/>	D	12	21429	UR 4.5" SAND KK 47 13/16"

*Below items will contain no actual pool parts; just packaging/shipping materials

Qty	Part #	Part Description
1	97-1353B	CARTON-EMPTY [3X] ID 58-1/16X12-1/2X5-5/8 ETC48 BOT
1	97-1353T	CARTON-EMPTY [3X] ID 58-5/16X14X5-3/4 ETC48 TOP

CUSTOMER SUPPORT CAN BE REACHED AT ANY OF THE FOLLOWING:

CALL: 901-372-1773

TEXT: 901-472-7797

EMAIL: support@royalswimmingpools.com

Carton Breakdown

REPRIEVE 15' x 30' OVAL 48"

Carton Product Number #	Carton Content Description
CVBPRL-STRUT-0804	CTN: UNIV OVL-STR-SIDE FRAME COMP

√	Key #	Qty	Part #	Part Description
<input type="checkbox"/>	H	8	17916	WRAP STRUT TPP SAND TXT
<input type="checkbox"/>	I	4	16723	STRAP SECTION 39 9/32" (FOR 12,15,18')
<input type="checkbox"/>	*	2	22-36501	HDW STRUT - 4 PACKV

*Below items will contain no actual pool parts; just packaging/shipping materials

Qty	Part #	Part Description
1	97-1353B	CARTON-EMPTY [3X] ID 58-1/16X12-1/2X5-5/8 ETC48 BOT
1	97-1353T	CARTON-EMPTY [3X] ID 58-5/16X14X5-3/4 ETC48 TOP

Carton Product Number #	Carton Content Description
CVREPTS-10	CTN: REP OVL-STR-SIDE FRAME COMP

√	Key #	Qty	Part #	Part Description
<input type="checkbox"/>	J	8	16549	PRESSURE PLATE (44")
<input type="checkbox"/>	E	10	21427	TR 6" SAND KK BULL STR SIDE 41 1/4"

*Below items will contain no actual pool parts; just packaging/shipping materials

Qty	Part #	Part Description
1	97-1355B	CARTON-EMPTY [2X] ID 58-5/16X20X5-5/8 ETC48 BOT
1	97-1355T	CARTON-EMPTY [2X] ID 58-5/16X21-1/2X5-3/4 ETC48 TOP

CUSTOMER SUPPORT CAN BE REACHED AT ANY OF THE FOLLOWING:

CALL: 901-372-1773

TEXT: 901-472-7797

EMAIL: support@royalswimmingpools.com



Carton Breakdown

REPRIEVE 15' x 30' OVAL 48"

Carton Product Number #	Carton Content Description
CVREPVS48-08	CTN: REP 48" OVL-STR-SIDE FRAME COMP

√	Key #	Qty	Part #	Part Description
<input type="checkbox"/>	K	8	29917	OVAL CHANNEL FOAM BLOCK 2 X 4 X 4 1/8
<input type="checkbox"/>	L	8	35748	WRAP UR OVAL TPP SAND 48" (49" OVERALL LENGTH)

*Below items will contain no actual pool parts; just packaging/shipping materials

Qty	Part #	Part Description
1	97-1355B	CARTON-EMPTY [2X] ID 58-5/16X20X5-5/8 ETC48 BOT
1	97-1355T	CARTON-EMPTY [2X] ID 58-5/16X21-1/2X5-3/4 ETC48 TOP

Carton Product Number #	Carton Content Description
CVSTRAP15-12	CTN: UNIV OVL-STR-SIDE FRAME COMP

√	Key #	Qty	Part #	Part Description
<input type="checkbox"/>	M	8	16542	CONNECTOR BTM RAIL STR SIDE STEEL
<input type="checkbox"/>	N	8	16539	STRAP OVER CHANNEL 2" TALL X 52 3/8"
<input type="checkbox"/>	I	12	16725	STRAP SECTION 40 11/16"(FOR 15')
<input type="checkbox"/>	O	8	22726	OVAL CHANNEL END CAP

*Below items will contain no actual pool parts; just packaging/shipping materials

Qty	Part #	Part Description
1	97-1351B	CARTON-EMPTY [4X] ID 58-1/16X8-3/4X5-5/8 ETC48 BOT
1	97-1351T	CARTON-EMPTY [4X] ID 58-5/16X10-1/4X5-3/4 ETC48 TOP

CUSTOMER SUPPORT CAN BE REACHED AT ANY OF THE FOLLOWING:

CALL: 901-372-1773

TEXT: 901-472-7797

EMAIL: support@royalswimmingpools.com



Carton Breakdown

REPRIEVE 15' x 30' OVAL 48"

Carton Product Number #	Carton Content Description
CXREP1530-PSSN1	CTN: REP 1530 MIXED CRV/STR COMP

√	Key #	Qty	Part #	Part Description
<input type="checkbox"/>	A	10	38502	INR STAB SQ STL 7'6"R 53-1/4" ORANGE
<input type="checkbox"/>	A	8	38513	RIM 5/8" SQ STL 9'0"R 8"
<input type="checkbox"/>	A	4	38511	RIM 5/8" SQ STL 9'0"R 37" BLACK
<input type="checkbox"/>	A	6	38512	RIM 5/8" SQ STL 9'0"R 33" BLACK
<input type="checkbox"/>	B	10	14950	BTM RAIL STL MOMT 7'6"R 49" ORANGE
<input type="checkbox"/>	B	4	16714	BTM RAIL STL MOMT 9'0"R 39" CORNER FLUO ORANGE
<input type="checkbox"/>	B	6	16713	BTM RAIL STL MOMT 9'0"R 37-1/2" STR SIDE LIGHT BLUE
<input type="checkbox"/>	C	24	11595	TOP/BOTTOM PLATE 4.5"
<input type="checkbox"/>	F	19	10296	PLASTIC COPING SINGLE 48" FOR METAL STAB
<input type="checkbox"/>	G	20	21431	TC 6" PEARL CAP [N1]
<input type="checkbox"/>	P	8	10136	TOP PLATE 4" OVAL
<input type="checkbox"/>	*	1	36879	SHARKLINE CONSUMER DVD
<input type="checkbox"/>	*	1	95-0007	ENVELOPES SAFETY COMPLETE
<input type="checkbox"/>	*	1	44-10039	HARDWARE POOL KIT ZY OVAL 39

*Below items will contain no actual pool parts; just packaging/shipping materials

Qty	Part #	Part Description
1	97-1355B	CARTON-EMPTY [2X] ID 58-5/16X20X5-5/8 ETC48 BOT
1	97-1355T	CARTON-EMPTY [2X] ID 58-5/16X21-1/2X5-3/4 ETC48 TOP

CUSTOMER SUPPORT CAN BE REACHED AT ANY OF THE FOLLOWING:

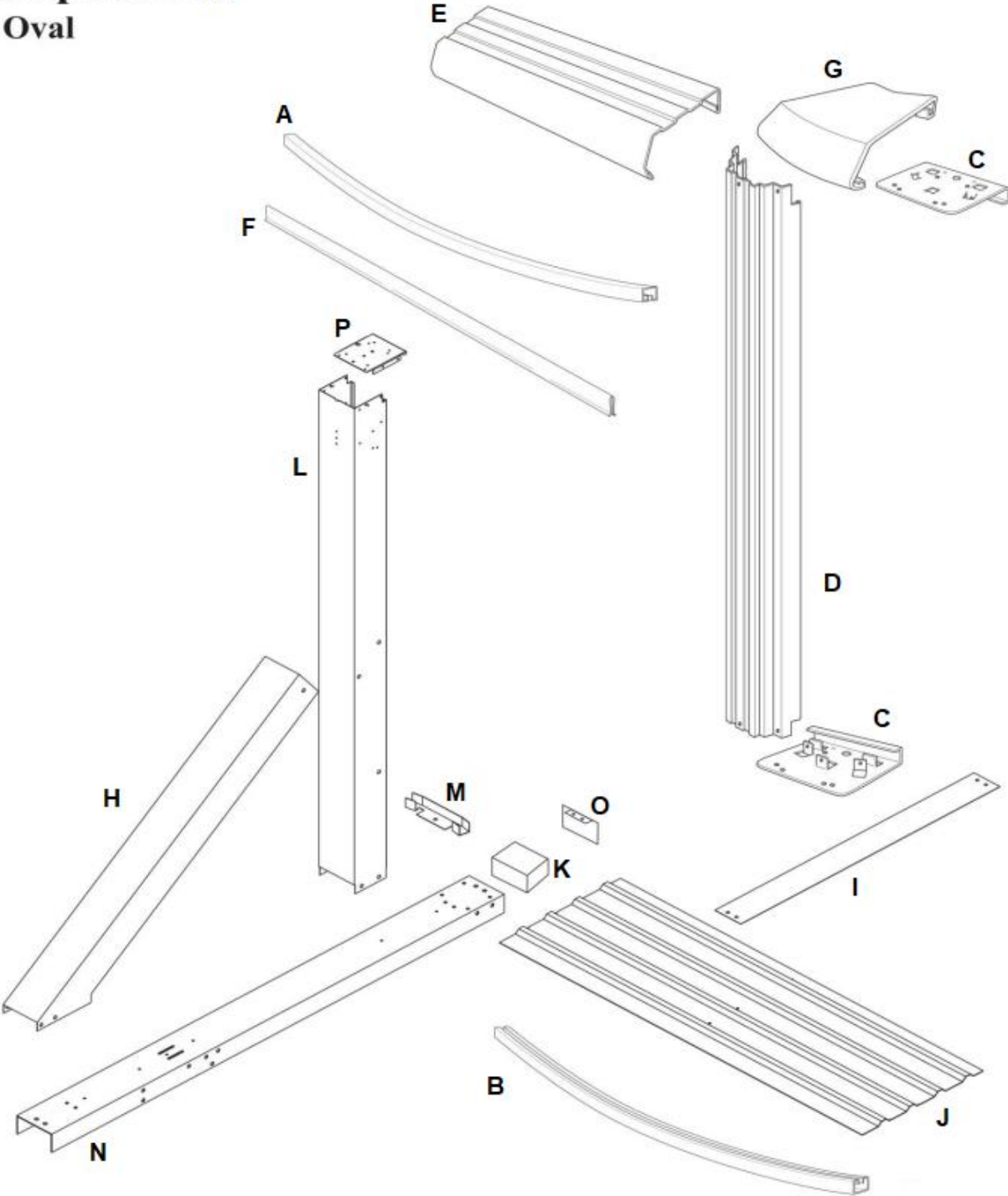
CALL: 901-372-1773

TEXT: 901-472-7797

EMAIL: support@royalswimmingpools.com

Reprieve 48

Oval



CUSTOMER SUPPORT CAN BE REACHED AT ANY OF THE FOLLOWING:
CALL: 901-372-1773
TEXT: 901-472-7797
EMAIL: support@royalswimmingpools.com