

# INSTALLATION INSTRUCTIONS

## MELODY / BLANCO / BLANCO PRO / SOL Underwater LED Lights

READ AND FOLLOW ALL INSTRUCTIONS CAREFULLY

### ⚠ CAUTION! SAFETY PRECAUTIONS

⚠ SAVI Lights are a low voltage light and should NEVER be electrically connected to a power source other than an approved pool "Safety Rated" 12VAC Transformer. Failure to comply will either damage or destroy SAVI Lights and VOID the Warranty.

PART NUMBERS	WATTS	AMPS	MINIMUM CONDUIT REQUIREMENTS
SAVI-MELODY 100	14	1.2	9"
SAVI-MELODY 150	14	1.2	9"
MB 100	10	0.83	9"
MB 150	10	0.83	9"
MB-PRO 100	20	1.67	14"
MB-PRO 150	20	1.67	14"
SAVI-SOL 100	28	2.3	14"
SAVI-SOL 150	28	2.3	14"

### ⚠ TURN OFF MAIN POWER TO LIGHT BEFORE INSTALLATION ⚠



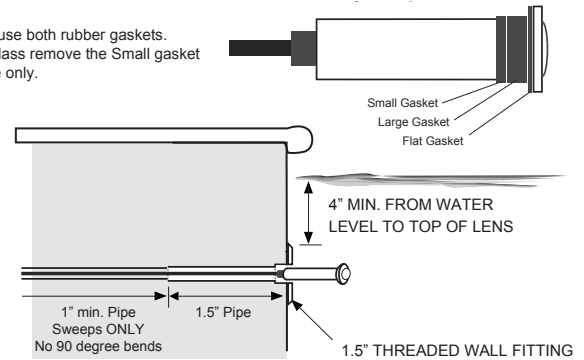
**NOTE:** For Vinyl wall Fittings use both rubber gaskets.  
For Gunite and Fiberglass remove the Small gasket and use the Large one only.

### STEP 1

The light fixture must be installed in or on a wall of the pool (or water feature) with the top of the lens opening not less than 4 inches (10.16cm) below the normal water level of the pool.

**NOTE:** Requires the use of a 1-1/2" threaded wall fitting.

1.5" Pipe through bond beam for a minimum of 14" then 1" conduit min. beyond with sweeps / no 90 degree bends. We highly recommend the use of 1 1/2 pipe throughout the entire width of the bond beam. **NOTE:** Use of 1.5" pipe with 14" min. length will accommodate all SAVI Lighting nicheless products.



**NOTE:** Check with Local Building Officials as to what conduit/pipe is acceptable for usage.

### STEP 2

Snake the 2-conductor electric cord through the conduit outlet of the wall fitting, into the conduit and up to the location of the 12VAC pool transformer. Cut off excess cord after allowing for service and length of run to the transformer. Pull the fixture snug to the wall fitting.

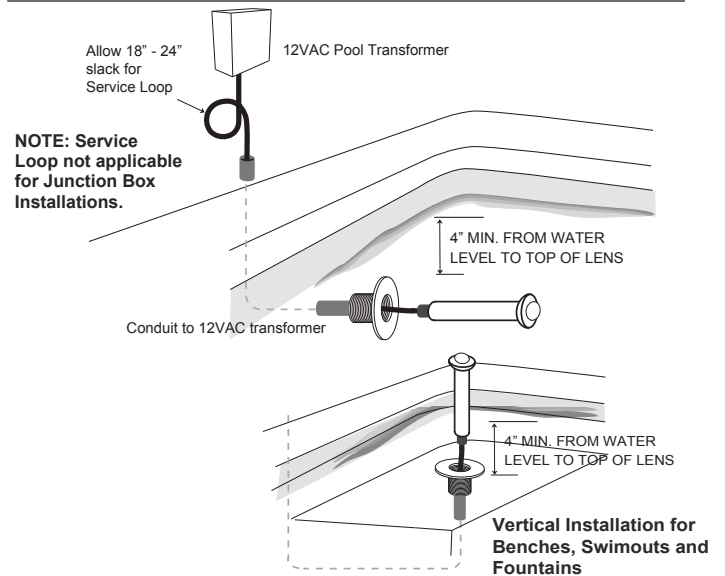
**NOTE:** Make sure all protective coverings have been removed.

#### Winterization Clause

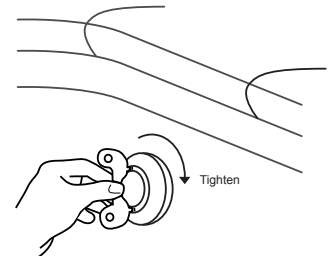
Pool Water Level must be drained down 12" below light(s) position in pool wall. We also highly recommend that the lights be loosened from their wall fittings to allow drainage of water that might have accumulated within conduit. Consult your local Swimming Pool Professional for proper local area winterization processes.

### STEP 3

Using Lens Key, thread the fixture into the wall fitting until it is snug. Now Included - please provide Pool Owner with minimum of 1 key upon job completion (see winterization clause above)



An example of an approved pool transformer is the Intermatic model PX-100 or PX-300. Refer to WIRE GAUGE AND WIRE LENGTH guide for proper wire gauge size in reference to the use of Junction Boxes installations. **NOTE:** SAVI Lights can be used with any UL Listed outdoor rated Class 3, 12VAC transformer provided the wattage and amperage is not exceeded by the total wattage and amperage in use.



# OPERATION INSTRUCTIONS

## Synchronization Process for LED Pool and Spa Lights

**Important Note: All fixtures must be tied into the same transformer, circuit or switch for synchronization to occur.**

### LIGHT SYNCHRONIZATION

1. Turn the lights on and wait for 20 seconds. The lights will first come on white for 10-15 seconds and then return to the color mode it was on prior to being turned off. (If this is the initial installation, the lights will return to whatever mode they were in when last receiving power).
2. Do not move to the next step until step one is complete.
3. To synchronize lights, turn the lights off, wait 6-9 seconds and then turn them back on. You should see three quick flashes (red, green & blue), and then all the lights will reset to the first color mode (Treasure Island).
4. (A) If you do not see three quick flashes, then the lights did not reset.  
(B) If you did not wait long enough (shorter than 6 seconds) the lights will advance to their next color mode. They are not synched as each light could be in different color modes.  
(C) If you wait too long (longer than the 9 seconds) they all will go to white for 10-15 seconds, looking like they're synched BUT AFTER 15 seconds they will return to their previous color mode (which at this point the lights are still unsynchronized).
5. Repeat step1 - 3 until synchronization is accomplished.
6. To confirm the lights have been synchronized (Treasure Island Mode) - the best way is to: turn the light off for 1-2 seconds and turn back on – DO THIS TWICE. All the lights should be in the SAVI BLUE color mode. If they are all fixed on BLUE – you have now synchronized your lights. If not – turn the lights off for more than 20 seconds – Turn back on and proceed to Step 1.

### OPERATING THE LIGHT

7. To move to the next color mode, Turn the light off for 1-2 seconds and turn back on. Repeat until desired color mode is found.

Example: If you followed step six and are now on SAVI Blue and want the lights to be White, then the lights must be turned off and on (7) seven times to bring you to Moonlight White.

1. Treasure Island / Slow color change
  2. Moonlight White / Fixed White
  3. SAVI Blue / Fixed Blue
  4. Sargasso Sea / Fixed Green
  5. Blue Lagoon / Fixed Light Blue
  6. Passion Pink / Fixed Magenta
  7. Caribbean Hues / Blue and Green Slow Color Change
  8. Copacabana / Magenta, Yellow and Orange Slow Color Change
  9. Dance party / Multi Color Strobe Effect
8. The lights have memory. If the lights are off for 10 seconds or more, the next time the lights are turned on, they will go to white for approximately 10-15 seconds and then return to the last color mode they were on prior to being turned off (Step 1 listed above). This function allows you to keep your lights returning to your favorite color mode every time the lights are turned back on.

If you have internet access, please go to [www.nextstepproduct.com/SAVI/support.html](http://www.nextstepproduct.com/SAVI/support.html) and click on the link under USER GUIDES that says "synchronous process" for a video that demonstrates how this process works.

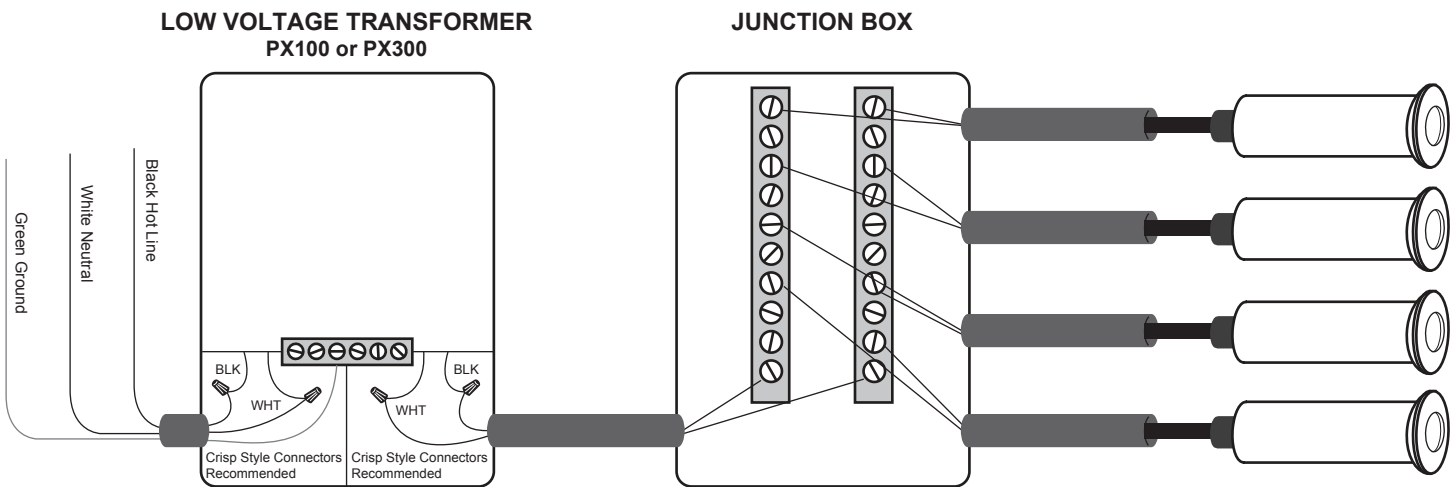
# IMPORTANT: READ FIRST



**SAVI LED UNDERWATER LIGHTS ARE LOW VOLTAGE FIXTURES. IMPROPER WIRE GAUGE AND WIRE LENGTH CAN AFFECT THE PERFORMANCE OF THESE PRODUCTS. FOLLOW THE GUIDES BELOW TO DETERMINE THE PROPER OPERATION AND OPTIMUM PERFORMANCE OF SAVI LIGHTS.**

## WIRE GAUGE & WIRE LENGTH GUIDE

**NOTE:** Min. 11VAC: / Max 13VAC. The maximum run of service between transformer and lights should not exceed 150ft in total length, inclusive of the use of J Box or not.



**NOTE:** This Diagram is to be used as a guide line only for a typical System Installation and should only be used as such. It is the Installers sole responsibility to verify and assure that proper gauging of secondary wiring from the Transformer to the J-Box are in compliance with your local, State and National Electrical Codes.

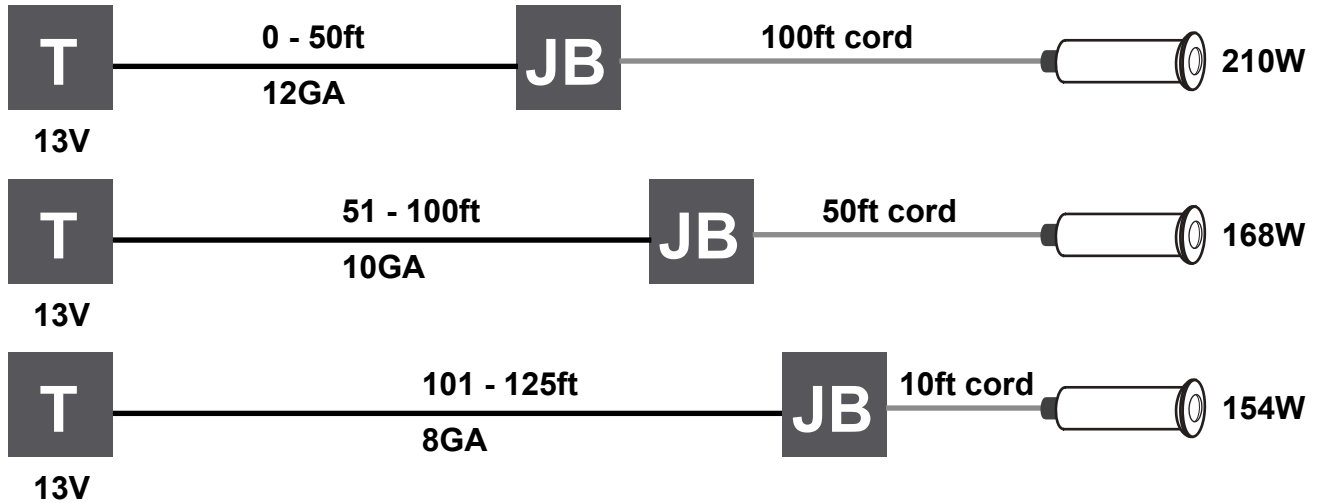
**NOTE:** The use of Solid Core over Stranded wire and terminating at Bus Bars is strongly recommended.

PX100 / PX300	JUNCTION BOX BUS BAR	MAX WATTAGE
<b>T</b> 12V	0-50ft 12GA <b>JB</b>	100ft cord 168W
<b>T</b> 12V	100ft 10GA <b>JB</b>	50ft cord 126W
<b>T</b> 12V	140ft 8GA <b>JB</b>	10ft cord 98W

**PX100 / PX300**

**JUNCTION BOX  
BUS BAR**

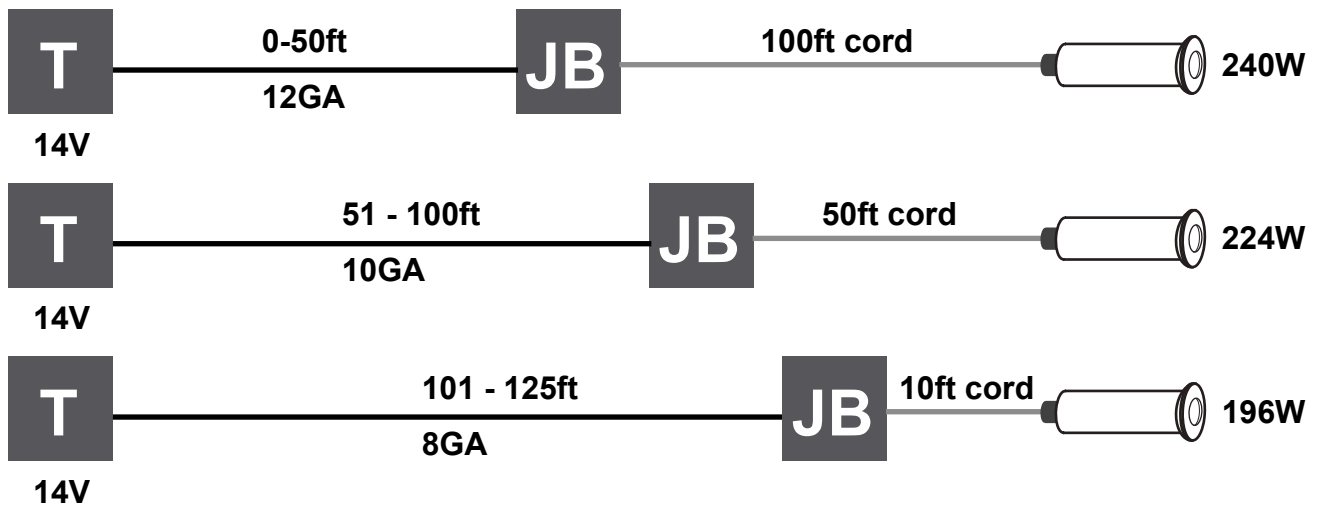
**MAX WATTAGE**



**PX300 ONLY**

**JUNCTION BOX  
BUS BAR**

**MAX WATTAGE**



**NOTE:** Please use appropriate low voltage supply to pool lights, ie. if 12V is appropriate voltage do not use 13V or 14V tap on transformer output.

**DO NOT** run 120V and Low Voltage wires in the same conduit or enclosures.

## LIMITED WARRANTY

Next Step Products LLC and its wholly owned subsidiaries and divisions (herein referred to as “the Company”), warrants its products, excluding lamps, to be free from defects in material and/or workmanship, under normal condition, use and service, for a period of two (2) years from the original invoice date. Reminder: Savi Pool and Savi Spa lights must be submerged and operated under water prior to being energized.

### TERMS AND CONDITIONS:

This warranty only applies when the Company’s products are properly wired and installed together as a system; and operated within the electrical values shown on the Company’s specification sheets; used in lighting equipment designed and approved for the application and environmental conditions (temperature, humidity) within the normal specified operating range of the system. This warranty does not apply to any abnormal use in violation of any applicable standard, code or instructions for use in installations including those contained in the latest National Electrical Code (NEC), the Standards for Safety of Underwriters Laboratory, Inc. (UL), Standards for the American National Standards Institute (ANSI), in Canada, the Canadian Standards Association ( CSA ), Europe (CE), Australia (C-Tick). This warranty will not apply in the event of conditions demonstrating abnormal use or stress, including under/over voltage conditions, excessive switching cycles, excessive operating hours, alterations, accident, theft, misuse, abuse and damaged caused by negligent installation, improper maintenance or where adequate care has not been taken to prevent damage to the lighting system. Replacement of the Company’s product components with any other manufacturer will void the entire warranty.

### WARRANTY SERVICE CLAIMS:

The Company must issue a Return Material Authorization (RMA) number for all requests for warranty review. To expedite service, please contact the Company’s Customer Representative where you purchased the product. If you are unsure whether a situation exists that is covered by this warranty, please contact the Company’s customer service department from the company or division where you purchased the product for assistance. In the event of a defect in material or workmanship during the warranty period, the Company will repair or replace (at its own discretion) its products under the conditions of the warranty.

A complete list of the Company’s brands and their warranty service contact information can be found at the end the warranty.

### RETURN OF DEFECTIVE PRODUCT:

After contacting the proper company or division and receiving the RMA#, the purchaser / user shall promptly return the product after receiving instructions regarding if, when and where to ship product. Product must be returned within 30 days of receiving RMA#. Shipping box must be clearly marked with RMA#. Failure to follow this procedure shall void this warranty. The company will cover expenses for material but will not cover shipping costs. Products returned without an RMA# will be refused and returned to sender at the senders expense.

### REPLACEMENT OF PRODUCT, LIMITS OF LIABILITY:

The foregoing shall constitute the exclusive remedy of the purchaser and the sole liability of Next Step Products LLC and its wholly-owned subsidiaries and divisions regarding its products and component warranty. NO WARRANTY OF MERCHANTABILITY OR FITNESS FOR A PARTICULAR PURPOSE IS MADE OR IS TO BE IMPLIED. In no event shall Next Step Products LLC or its wholly-owned subsidiaries or divisions be liable for any other costs or damages including labor charges, lost profits or revenues, incidental, special or consequential damages. The Company reserves the right to examine all failed products and components to determine the cause of failure and patterns of usage and reserves the right to be the sole judge as to whether any product or component is defective and covered under this warranty.

January 13 , 2012